



Thomas Built Buses, Inc.  
1408 Courtesy Road  
High Point, NC 27261



**Parts & Accessories Catalog**

85410394



**Thomas Parts  
& Accessories  
Catalog**

©2000 Thomas Built Buses, Inc. All rights reserved. No portion of this catalog may be reproduced by any means without express permission from the copyright holder.

2006  
Part Number 85410394



For the Thomas Built Buses Dealer nearest you, call 1-800-FTL-HELP. [www.thomasbus.com](http://www.thomasbus.com)  
Specifications are subject to change without notice. Thomas Built Buses is registered to ISO 9001.  
Copyright 2006, Freightliner LLC. All rights reserved. Thomas Built Buses is a member of the Freightliner Group. Freightliner LLC is a DaimlerChrysler company.

**Disclaimer**

Specifications are subject to change without notice.

Thomas Built Buses is registered to ISO 9001

Copyright© 2000, Thomas Built Buses, Inc. All rights reserved.

**Thomas Built Buses** is a member of the Freightliner Group.

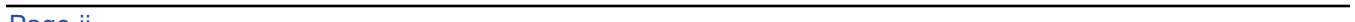
Freightliner is a DaimlerChrysler company.

Freightliner LLC is North America's leading heavy-duty commercial vehicle manufacturer. Freightliner is part of Daimler Chrysler, the world's largest manufacturer of commercial vehicles.

# TABLE OF CONTENTS

---

SWITCH SECTION . . . . .	1.1
LIGHT SECTION . . . . .	2.1
ELECTRICAL SECTION . . . . .	3.1
WIPER SECTION . . . . .	4.1
MIRROR SECTION . . . . .	5.1
GLASS SECTION . . . . .	6.1
WINDOW SECTION . . . . .	7.1
SEAT SECTION . . . . .	8.1
SEAT BELT SECTION . . . . .	9.1
FLOOR SECTION . . . . .	10.1
RADIO SECTION . . . . .	11.1
STOP SIGN SECTION . . . . .	12.1
CROSSING ARM SECTION . . . . .	13.1
SAFETY SECTION . . . . .	14.1
ROOF HATCH SECTION . . . . .	15.1
HEATER SECTION . . . . .	16.1
MISCELLANEOUS SECTION . . . . .	17.1



**TABLE OF CONTENTS**

Rocker .....1.2

Curved Rocker .....1.20

Pilot Lights and Blanks .....1.26

Paddle .....1.27

Contact/Push/Pull .....1.28

Rotary .....1.32

Toggle .....1.35

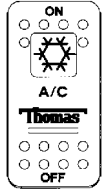
Micro .....1.37

Miscellaneous .....1.39

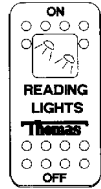
Turn Signal Switch Chart .....1.43

# SWITCHES

## Rocker (L.E.D. Black)



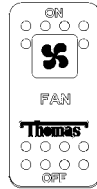
52002653



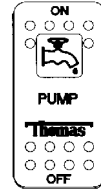
52002734



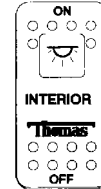
52003057



52003101



52003102



52003103



52003104



52003105



52003106



52003107



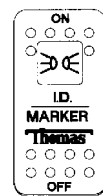
52003108



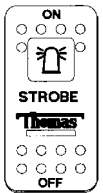
52003109



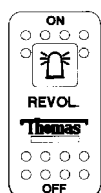
52003110



52003111



52003112



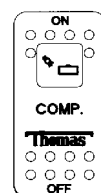
52003113



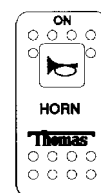
52003114



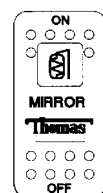
52003115



52003116



52003117



52003118



52003119



52003120



52003121



52003122



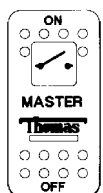
52003123



52003124



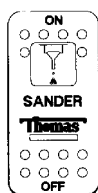
52003125



52003126



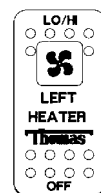
52003127



52003128



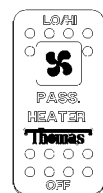
52003129



52003130



52003131



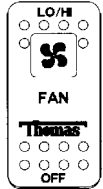
52003132

## Rocker (L.E.D. Black)

Part Number	Description	Switch Function	Type
52002653	A/C	A/C	Green Pilot Light, SP
52002734	READING LIGHTS	Reading Lights	On/Off, SPST
52003057	SPEAKER	Inside/Outside Speaker	On/None/On
52003101	FAN	Fan	On/Off, SPST
52003102	PUMP	Pump	On/Off, SPST
52003103	INTERIOR	Interior	On/Off, SPST
52003104	DRIVER'S DOME	Driver's Dome	On/Off, SPST
52003105	WARNING	Warning	Red/Amber, DPDT
52003106	WARNING	Warning	On/Off, SPST
52003107	WARNING	Warning	Momentary Off, SPST
52003108	WARNING	Warning	Momentary On, SPST
52003109	WARNING	Warning	Momentary On/Off, DPDT
52003110	WARNING (ON)	Warning	Amber/Off, DPDT
52003111	I.D. MARKER	ID Marker	On/Off, SPST
52003112	STROBE	Strobe	On/Off, Red Pilot Light, SPST
52003113	REVOL.	Revol.	On/Off, Red Pilot Light, SPST
52003114	CHIME	Chime	On/Off, SPST
52003115	LIFT	Lift	On/Off, Red Pilot Light, SPST
52003116	COMP.	Luggage Comp.	On/Off, SPST
52003117	HORN	Horn	Momentary On, SPST
52003118	MIRROR	Mirror	On/Off, Amber Pilot Light, SPST
52003119	WIPER	Wiper	Low/High, DPDT
52003120	W/S WASHER	Windshield Wiper	Momentary On, SPST
52003121	FOG	Fog	On/Off, Amber Pilot Light, SPST
52003122	EMERG. DOOR	Emergency Door	On/Off, Amber Pilot Light, SPST
52003123	SIGN	Sign	On/Off, SPST
52003124	OVERRIDE	Override	On/Off, DPST
52003125	OVERRIDE	Override	Momentary On, SPST
52003126	MASTER	Master	On/Off, Red Pilot Light, SPST
52003127	STEP DOOR	Step/Door	On/Off, SPST
52003128	SANDER	Sander	On/Off, Red Pilot Light, SPST
52003129	DEF.	Defroster	On/Off, SP
52003130	LEFT HEATER	Left Heater	On/Off, SP
52003131	RIGHT HEATER	Right Heater	On/Off, SP
52003132	PASS. HEATER	Pass. Heater	On/Off, SP

# SWITCHES

## Rocker (L.E.D. Black)



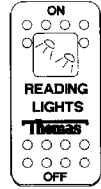
52003133



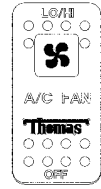
52003134



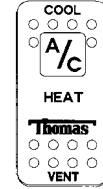
52003136



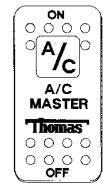
52003137



52003160



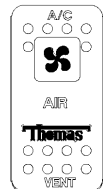
52003161



52003162



52003313



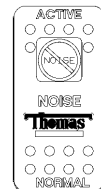
52003403



52003435



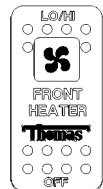
52003548



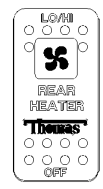
52003571



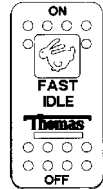
52003712



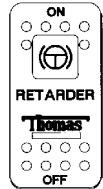
52003817



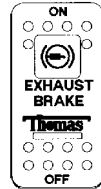
52003818



61201161



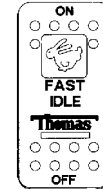
61201162



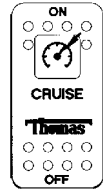
61201163



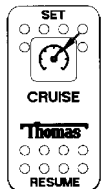
61201164



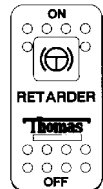
61201165



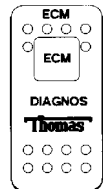
61201166



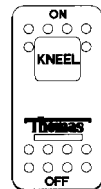
61201167



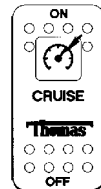
61201168



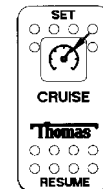
61201169



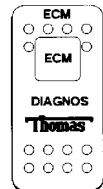
61201174



61201219



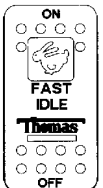
61201220



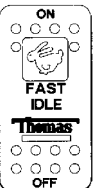
61201221



61201222



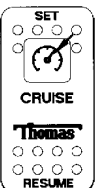
61201400



61201401



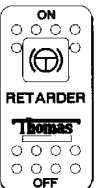
61201402



61201403



61201404



61201405



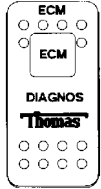
## Rocker (L.E.D. Black)

Part No.	Description	Switch Function	Type
52003133	FAN	Fan	On/Off, SP
52003134	STEP HEATER	Step Heater	On/Off, SP
52003136	DEF HEATER	Defroster/Heater	On/Off, SP
52003137	READING LIGHTS	Reading Lights	On/Off SPST
52003160	A/C FAN	A/C Fan	DPDT
52003161	HEAT	A/C Cool	----
52003162	A/C MASTER	A/C Master	----
61201161	FAST IDLE	Fast Idle	On/Off, Amber Pilot Light, SPST
52003313	INACTIVATE "STOP REQUEST"	Stop Request Inactivate	Momentary On, SPST
52003403	A/C AIR VENT	Air	On/Off, SPST
52003435	VIDEO CAMERA	Camera	On/Off, SPST
52003548	LIFT ON/OFF	Lift	On/Off, W/Red Pilot Light, SPST
52003571	NOISE ACTIVE/NORMAL	Noise	On/None/On, DPDT
52003712	STROBE ON/OFF	Strobe Light	On/None/On, DPDT
52003817	FRONT HEATER	Front Heater	Off/On/On, DPDT
52003818	REAR HEATER	Rear Heater	Off/On/On, DPDT
61201162	RETARDER	Retarder	On/Off, Amber Pilot Light, SPST
61201163	EXHAUST BRAKE	Exhaust Brake	On/Off, Amber Pilot Light, SPST
61201164	AIR TANK	Air Tank Drain	Momentary On, DPST
61201165	FAST IDLE	Fast Idle	Momentary On, Amber Pilot Light
61201166	CRUISE	Cruise	On/Off, Amber Pilot Light
61201167	CRUISE	Cruise Set/Resume	Momentary On/Off, DPDT
61201168	RETARDER	Retarder	On/Off, W/Dash Indicator Lamp
61201169	DIAGNOS	ECM Diagnostic	On
61201174	KNEEL	Kneeling	On/Off, Amber Pilot Light
61201219	CRUISE	Cruise	On/Off, SPST
61201220	CRUISE	Cruise Set/Resume	Momentary On/Off
61201221	TEST	Engine Diagnostic	On/Off, W/Dash Indicator Lamp
61201222	IDLE/DIAGNOS	Idle Diagnostic	Momentary, W/Dash Indicator
61201400	FAST IDLE	Fast Idle	On/Off, SPST
61201401	FAST IDLE	Fast Idle	Momentary On, Amber Pilot Light, SPST
61201402	CRUISE	Cruise	On/Off, SPST
61201403	CRUISE	Cruise Set/Resume	Momentary On/Off
61201404	EXHAUST BRAKE	Exhaust Brake	On/Off, Amber Pilot Light, SPST
61201405	RETARDER	Retarder	On/Off, SPST

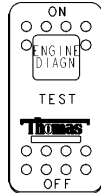
# SWITCHES

---

## Rocker (L.E.D. Black)



61201406



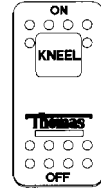
61201407



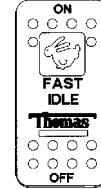
61201408



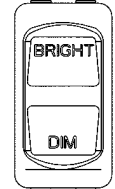
61201409



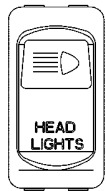
61201410



61201411



61202103



61202104

## Rocker (L.E.D. Black)

Part No.	Description	Switch Function	Type
61201406	DIAGNOS	ECM Diagnostic	On
61201407	TEST	Engine Diagnostic	On/Off, SPST
61201408	IDLE/DIAGNOS	Idle Diagnostic	Momentary On/Off
61201409	AIR TANK	Air Tank Drain	Momentary On, DPST
61201410	KNEEL	Kneeling	On/Off, Amber Pilot Light, SPST
61201411	FAST IDLE	Fast Idle	On/Off, Amber Pilot Light
61202103	BRIGHT/DIM	Dimmer	On/Off/On, Amber LED
61202104	HIGH BEAM/HEAD LIGHTS	Dimmer	On/Off/On, Amber LED

# SWITCHES

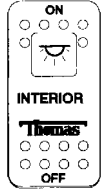
## Rocker (L.E.D. - Gray, Red & Yellow)



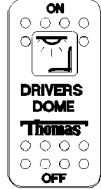
52003135



52003207



52003720



52003721



52003722



52003723



52003724



52003725



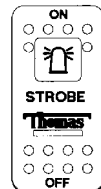
52003727



52003728



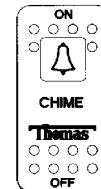
52003729



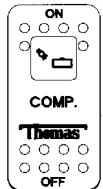
52003730



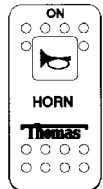
52003731



52003732



52003733



52003734



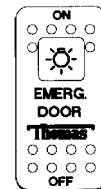
52003735



52003736



52003737



52003738



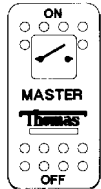
52003739



52003740



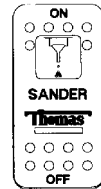
52003741



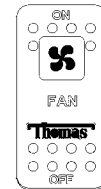
52003742



52003743



52003744



52003745



52003746



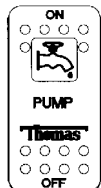
52003747



52003748



52003749



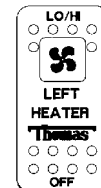
52003750



52003751



52003752



52003753

## Rocker (L.E.D. - Gray, Red & Yellow)

Part No.	Description	Switch Function	Type
52003135	WARNING	Warning	On/Off, DPST
52003207	EMERGENCY WARNING	Emergency Warning Lights	On/Off, DPST (Red)
52003720	INTERIOR	Interior Lights	On/Off, SPST (Gray)
52003721	DRIVERS DOME	Dome Light	On/Off, SPST (Gray)
52003722	WARNING	Red/Amber Warning Lights	Center Off, DPDT, (Red)
52003723	WARNING	Warning Lights	On/Off, SPST (Red)
52003724	WARNING	Warning Lights	Momentary Off, SPST (Red)
52003725	WARNING	Warning Lights	Momentary On, SPST (Red)
52003727	WARNING	Warning Lights	Momentary On/Off, DPDT (Red)
52003728	WARNING	Amber Warning Lights	Off/On/Momentary On, DPDT (Red)
52003729	I.D./MARKER	I.D./Marker	On/Off, SPST (Gray)
52003730	STROBE	Strobe Light	On/Off, With Red Pilot Light, SPST (Gray)
52003731	DOOR	Door	On/Off, DPDT (Gray)
52003732	CHIME	Chime	On/Off, SPST (Gray)
52003733	COMP.	Luggage Compartment Lights	On/Off, SPST (Gray)
52003734	HORN	Horn	Momentary On, SPST (Gray)
52003735	WIPER	Windshield Wiper	Park/Low/High (Gray)
52003736	W/S WASHER	Windshield Washer	Momentary On, SPST (Gray)
52003737	FOG	Fog Lights	On/Off, With Amber Pilot Light, SPST (Gray)
52003738	EMERG. DOOR	Emergency Door Light	On/Off, With Red Pilot Light, SPST (Gray)
52003739	SIGN	Sign Light	On/Off, SPST (Gray)
52003740	OVERRIDE	Light Override	On/Off, DPDT (Gray)
52003741	OVERRIDE	Light Override	Momentary On, SPST (Gray)
52003742	MASTER	Master	On/Off, With Red Pilot Light, SPST (Gray)
52003743	STEP/DOOR	Step/Door Lights	On/Off, SPST (Gray)
52003744	SANDER	Sander	On/Off, With Red Pilot Light, SPST (Gray)
52003745	FAN	Fan	On/Off, SPST (Gray)
52003746	READING LIGHTS	Reading Lights	On/Off, SPST (Gray)
52003747	STOP REQUEST	Stop Request Inactivate	Momentary On, SPST (Gray)
52003748	VIDEO CAMERA	Video Camera	On/Off, SPST (Gray)
52003749	LIFT	Lift	On/Off, With Red Pilot Light, SPST (Gray)
52003750	PUMP	Pump	On/Off, SPST (Gray)
52003751	MIRROR	Mirror Heater	On/Off, With Amber Pilot Light, SPST (Gray)
52003752	DEF.	Defroster	Off/On/On, DPDT (Gray)
52003753	LEFT HEATER	Left Heater Fan	Off/On/On, DPDT (Gray)

# SWITCHES

## Rocker (L.E.D. - Gray, Red & Yellow)



52003754



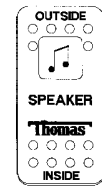
52003755



52003756



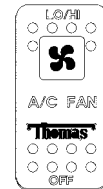
52003758



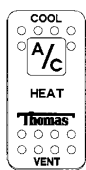
52003759



52003760



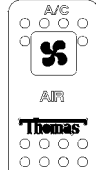
52003761



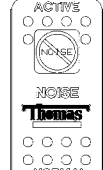
52003762



52003763



52003764



52003766



52004161



52004164



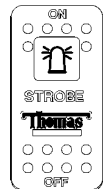
52004177



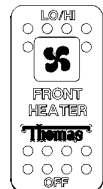
52004180



52004181



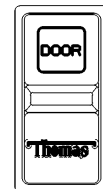
52004584



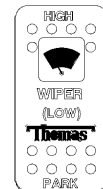
52004585



52004586



52004593



52005579



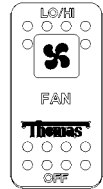
52005580



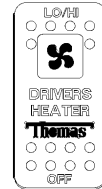
52005581



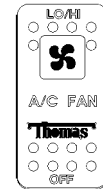
52005582



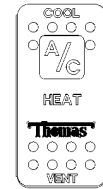
52005583



52005585



52005586



52005587



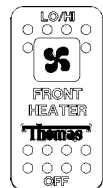
52005588



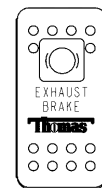
52005589



52005590



52005591



61201455



61201473



61201474

## Rocker (L.E.D. - Gray, Red & Yellow)

Part No.	Description	Switch Function	Type
52003754	CROSSING ARM	Crossing Arm Cancel/Normal	Momentary On, SPST (Yellow)
52003755	PASS. HEATER	Passenger Heater	Off/On/On, DPDT (Gray)
52003756	FAN	Fan	Off/On/On, DPDT (Gray)
52003758	DEF./HEATER	Defroster/Heater	Off/On/On, DPDT (Gray)
52003759	SPEAKER	Speaker Outside – Inside	On/None/On, DPDT (Gray)
52003760	DRIVERS HEATER	Driver's Heater	Off/On/On, DPDT (Gray)
52003761	A/C FAN	Air Conditioning Fan	On/On/On, DPDT (Gray)
52003762	HEAT	Air Conditioning Cool/Heat	On/On/On, DPDT (Gray)
52003763	A/C MASTER	Air Conditioning Master	On/Off, SPST (Gray)
52003764	AIR	Air Conditioning Air/Vent	On/Off, SPST (Gray)
52003766	NOISE	Noise Suppression	On/None, DPDT (Yellow)
52004161	A/C FAN,	A/C Fan,	On/None/On, SPDT (Gray)
52004164	WARNING	Warning Lights	Off/On/Momentary On (Gray)
52004177	DEF HEATER	Defroster/Heater	On/Off, SPST (Gray)
52004180	RIGHT HEATER	Right Heater Fan	On/On/On, (Gray)
52004181	STEP HEATER	Step/Heater Fan	On/On/On, (Gray)
52004584	STROBE	Strobe Light	On/None/On, W/Red Pilot Light, DPDT (Gray)
52004585	FRONT HEATER	Front Heater Lo/Hi	Off/On/On, W/Red Pilot Light, SPST (Gray)
52004586	REAR HEATER	Rear Heater Lo/Hi	Off/On/On, W/Red Pilot Light, SPST (Gray)
52004593	DOOR	Door	Momentary On/Off/Momentary On, W/Green Pilot Light, DPDT (Gray)
52005579	WIPER	Wiper Park-Low-High	DPDT (Gray)
52005580	DEF.	Defroster	Off/On/On, DPDT (Gray)
52005581	LEFT HEATER	Left Heater	Off/On/On, DPDT (Gray)
52005582	PASS. HEATER	Passenger Heater	On/On/On, DPDT (Gray)
52005583	FAN	Fan	Off/On/On, DPDT (Gray)
52005585	DRIVERS HEATER	Drivers Heater	Off/On/On, DPDT (Gray)
52005586	A/C FAN	A/C Fan	On/On/On, DPDT (Gray)
52005587	A/C	A/C Cool/Heat/Vent	On/On/On, DPDT (Gray)
52005588	REAR HEATER	Rear Heater	On/On/On, DPDT (Gray)
52005589	RIGHT HEATER	Right Heater	On/On/On, DPDT (Gray)
52005590	STEP HEATER	Step Heater	On/On/On, DPDT (Gray)
52005591	FRONT HEATER	Front Heater	Off/On/On, DPDT (Gray)
61201455	EXHAUST	Exhaust Brake	On/Off, DPST (Gray)
61201473	WET RES. AIR TANK	Wet Reservoir Air Tank Drain	Momentary On Momentary Off, SPST (Gray)
61201474	SECONDARY AIR TANK	Secondary Reservoir Air Tank Drain	Momentary On Momentary Off, SPST (Gray)

# SWITCHES

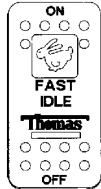
## Rocker (L.E.D. - Gray, Red & Yellow)



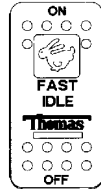
61201475



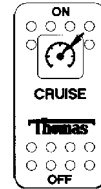
61201476



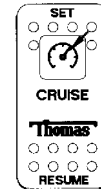
61201500



61201501



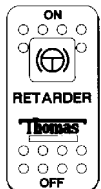
61201502



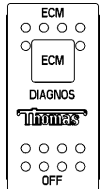
61201503



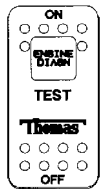
61201504



61201505



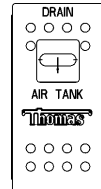
61201506



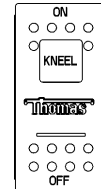
61201507



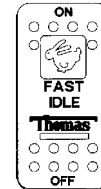
61201508



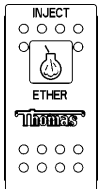
61201509



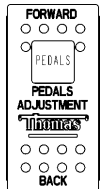
61201510



61201511



61201512



61201525



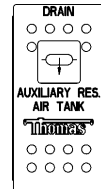
61201532



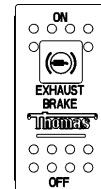
61201533



61201534



61201535



61201536

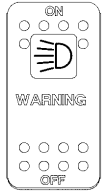


## Rocker (L.E.D. - Gray, Red & Yellow)

Part No.	Description	Switch Function	Type
61201475	AUXILIARY AIR TANK	Auxiliary Reservoir Air Tank Drain	Momentary On Momentary Off, SPST (Gray)
61201476	PRIMARY AIR TANK	Primary Reservoir Air Tank Drain	Momentary On Momentary Off, SPST (Gray)
61201500	FAST IDLE	Fast Idle	On/Off, SPST (Gray)
61201501	FAST IDLE	Fast Idle	Momentary With Lamp, SPST (Gray)
61201502	CRUISE	Cruise	On/Off, SPST (Gray)
61201503	CRUISE	Cruise Set-Resume	DPDT (Gray)
61201504	EXHAUST BRAKE	On-Off Exhaust Brake	On/Off, SPST (Gray)
61201505	RETARDER	On-Off Retarder	On/Off, SPST (Gray)
61201506	ECM DIAGNOS	ECM Diagnostic	Momentary, SPST (Gray)
61201507	TEST	Test Engine Diagnostic	On/Off, SPST (Gray)
61201508	IDLE/DIAGNOS	Idle Diagnostic	Momentary On-Off Momentary On, DPDT (Gray)
61201509	AIR TANK	Air Tank Drain	Momentary, DPST (Gray)
61201510	KNEEL	Kneeling	On/Off, SPST (Gray)
61201511	FAST IDLE	Fast Idle	On/Off, SPST (Gray)
61201512	ETHER	Ether Inject	Momentary, SPST (Gray)
61201525	PEDALS ADJUSTMENT	Pedals Forward/Back	Momentary, DPDT (Gray)
61201532	WET RES. AIR TANK	Wet Reservoir Air Tank Drain	Momentary, SPST (Gray)
61201533	PRIMARY RES. AIR TANK	Primary Air Tank Drain	Momentary, SPST (Gray)
61201534	SECONDARY RES. AIR TANK	Secondary Reserve. Air Tank Drain	Momentary, SPST (Gray)
61201535	AUXILIARY RES. AIR TANK	Auxiliary Reserve. Air Tank Drain	Momentary, SPST (Gray)
61201536	EXHAUST BRAKE	Exhaust Brake On/Off	Momentary, DPDT (Gray)

# SWITCHES

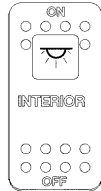
## Rocker (L.E.D. - Without TBB Logo)



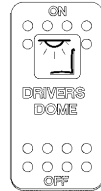
52006557



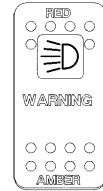
52006558



52006559



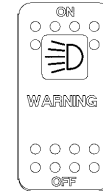
52006560



52006561



52006562



52006563



52006564



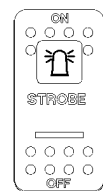
52006565



52006566



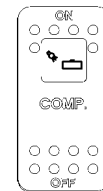
52006567



52006569



52006571



52006572



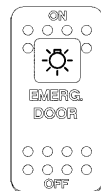
52006573



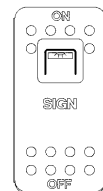
52006574



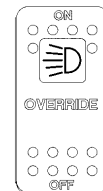
52006575



52006576



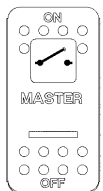
52006577



52006578



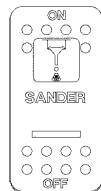
52006579



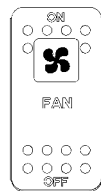
52006580



52006581



52006582



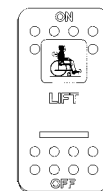
52006583



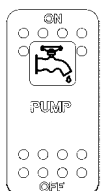
52006584



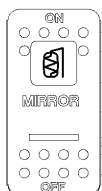
52006585



52006586



52006587



52006588



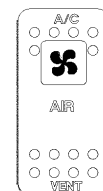
52006589



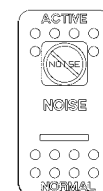
52006590



52006591



52006592



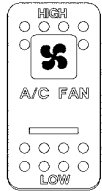
52006593

## Rocker (L.E.D. - Without TBB Logo)

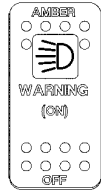
Part No.	Marking	Function	Type
52006557	WARNING	Warning Lights	On/Off, DPST
52006558	EMERGENCY WARNING	Emergency Warning Lights	On/Off, DPST (Red)
52006559	INTERIOR	Interior Lights	On/Off, SPST (Gray)
52006560	DRIVER'S DOME	Driver's Dome Lights	On/Off, SPST (Gray)
52006561	WARNING	Warning Lights Amber/Red	On/Center Off/On, DPDT (Red)
52006562	WARNING	Warning Lights	On/Off, SPST (Red)
52006563	WARNING	Warning Lights	On/Off, SPST (Red)
52006564	WARNING	Warning Lights	Momentary On, SPST (Red)
52006565	WARNING	Warning Lights	Momentary On/Off Momentary On, DPDT (Red)
52006566	WARNING	Amber Warning Lights	Off/On/Momentary On, DPDT (Red)
52006567	I.D. MARKER	I.D. Marker Lights	On/Off, SPST (Gray)
52006569	STROBE	Strobe Light	On/Off With Red Pilot Light, SPST (Gray)
52006571	CHIME	Chime	On/Off, SPST (Gray)
52006572	COMP.	Luggage Compartment Light	On/Off, SPST (Gray)
52006573	HORN	Horn	Momentary On, SPST (Gray)
52006574	W/S WASHER	Windshield Washer	Momentary On, SPST (Gray)
52006575	FOG	Fog Lights	On/Off With Amber Pilot Light, SPST (Gray)
52006576	EMERG. DOOR	Emergency Door Light	On/Off With Amber Pilot Light, SPST (Gray)
52006577	SIGN	Sign Lights	On/Off, SPST (Gray)
52006578	OVERRIDE	Lights Override	On/Off, DPST (Gray)
52006579	OVERRIDE	Lights Override	Momentary On, SPST (Gray)
52006580	MASTER	Master	On/Off With Red Pilot Light, SPST (Gray)
52006581	STEP/DOOR	Step/Door Lights	On/Off, SPST (Gray)
52006582	SANDER	Sander	On/Off With Red Pilot Light, SPST (Gray)
52006583	FAN	Fan	On/Off, SPST (Gray)
52006584	READING LIGHTS	Reading Lights	On/Off, SPST (Gray)
52006585	VIDEO CAMERA	Video Camera	On/Off, SPST (Gray)
52006586	LIFT	Lift	On/Off With Red Pilot Light, SPST (Gray)
52006587	PUMP	Pump	On/Off, SPST (Gray)
52006588	MIRROR	Mirror Heater	On/Off With amber Pilot Light, SPST (Gray)
52006589	CROSSING ARM	Crossing Arm Cancel/Normal	Momentary On, SPST (Yellow)
52006590	SPEAKER	Speaker, Inside/Outside	On/None/On, DPDT (Gray)
52006591	A/C MASTER	A/C Master	On/Off, SPST (Gray)
52006592	AIR	Air, Air Conditioner/Vent Fan	On/Off, SPST (Gray)
52006593	NOISE	Noise, Active/Normal	On/None/On, SPDT (Yellow)

# SWITCHES

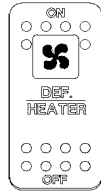
## Rocker (L.E.D. - Without TBB Logo)



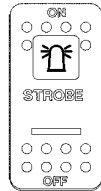
52006594



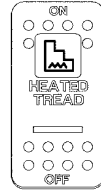
52006595



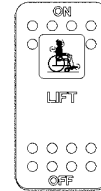
52006596



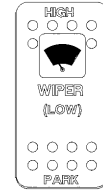
52006597



52006599



52006600



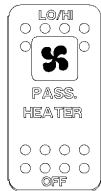
52006602



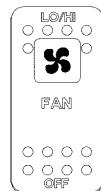
52006603



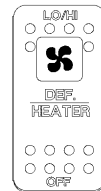
52006604



52006605



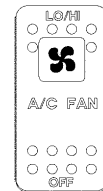
52006606



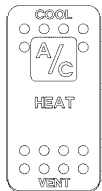
52006607



52006608



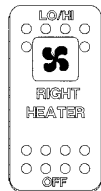
52006609



52006610



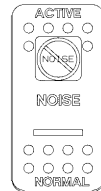
52006611



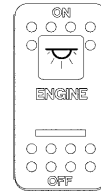
52006612



52006613



52007160



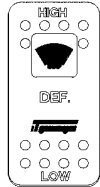
52007161

## Rocker (L.E.D. - Without TBB Logo)

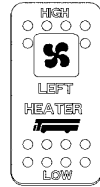
Part No.	Marking	Function	Type
52006594	A/C FAN	Air Conditioner Fan	On/None/On, SPDT (Gray)
52006595	WARNING	Amber Warning Lights	Off/On/Momentary On, DPDT (Gray)
52006596	DEF/HEATER	Defroster/Heater Fan	On/Off, SPST (Gray)
52006597	STROBE	Red Strobe Light	On/Off, SPST (Gray)
52006599	HEATED TREAD	Heated Step Tread	On/Off, SPST (Gray)
52006600	LIFT	Lift	On/Off, DPST (Gray)
52006602	WIPER	Windshield Wiper	On/On/On, DPDT (Gray)
52006603	DEF	Windshield Defrost	On/On/On, DPDT (Gray)
52006604	LEFT HEATER	Left Heater Fan	On/On/On, DPDT (Gray)
52006605	PASS. HEATER	Passenger Heater Fan	On/On/On, DPDT (Gray)
52006606	FAN	Fan	On/On/On, DPDT (Gray)
52006607	DEF./HEATER	Defroster/Heater Fan	On/On/On, DPDT (Gray)
52006608	DRIVERS HEATER	Driver's Heater Fan	On/On/On, DPDT (Gray)
52006609	A/C FAN	Air Conditioner Fan	On/On/On, DPDT (Gray)
52006610	A/C	A/C Cool/Heat/Vent	On/On/On, DPDT (Gray)
52006611	REAR HEATER	Rear Heater Fan	On/On/On, DPDT (Gray)
52006612	RIGHT HEATER	Right Heater Fan	On/On/On, DPDT (Gray)
52006613	FRONT HEATER	Front Heater Fan	On/On/On, DPDT (Gray)
52007160	NOISE	Noise Suppression	Momentary On, SPST (Yellow)
52007161	ENGINE	Engine Compartment Light	On/Off, SPST (Gray)

# SWITCHES

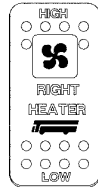
## Rocker (L.E.D. - Conventional Field Replacements)



52004070



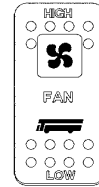
52004072



52004073



52004074



52004075

Part No.	Marking	Function	Type
52004070	DEF.	Windshield Defrost	Center Off, DPDT
52004072	LEFT HEATER	Left Heater Fan	On/Center Off/On, DPDT
52004073	RIGHT HEATER	Right Heater Fan	On/Center Off/On, DPDT
52004074	PASS. HEATER	Passenger Heater Fan	On/Center Off/On, DPDT
52004075	FAN	Fan	On/Center Off/On, DPDT

**Rocker (L.E.D. - Video Camera Option)**



52003432



52003432

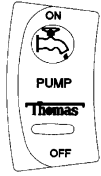
Part No.	Marking	Function	Type
52003432	VIDEO CAMERA	Video Camera	On/Off, SPST, (Gray Curved)
52003435	VIDEO CAMERA	Video Camera	On/Off, SPST

# SWITCHES

## Curved Rocker



52003163



52003164



52003165



52003166



52003167



52003168



52003169



52003170



52003171



52003172



52003173



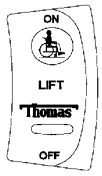
52003174



52003175



52003176



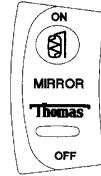
52003177



52003178



52003179



52003180



52003181



52003182



52003183



52003184



52003185



52003186



52003187



52003188



52003189



52003190



52003191



52003192



52003194



52003195



52003196



52003197



52003198



## Curved Rocker

Part No.	Description	Switch Function	Type
52003163	FAN	Fan	20 Amp, On/Off, SPST
52003164	PUMP	Pump	20 Amp, On/Off, SPST
52003165	INTERIOR	Interior	20 Amp, On/Off, SPST
52003166	DRIVER'S DOME	Driver's Dome	20 Amp, On/Off, SPST
52003167	WARNING	Warning	20 Amp, Center Off, DPDT
52003168	WARNING	Warning	20 Amp, On/Off, SPST
52003169	WARNING	Warning	20 Amp, On Momentary Off, SPST
52003170	WARNING	Warning	20 Amp, Off Momentary On, SPST
52003171	WARNING	Warning	20 Amp, On/Off Momentary On, DPST
52003172	WARNING	Warning	20 Amp, Off/On Momentary On, DPDT
52003173	I.D. MARKER	ID Marker	20 Amp, On/Off, SPST
52003174	STROBE	Strobe	On/Off, Red Pilot Light, SPST
52003175	REVOL.	Revol.	On/Off, Red Pilot Light, SPST
52003176	CHIME	Chime	20 Amp, On/Off, SPST
52003177	LIFT	Lift	On/Off, Red Pilot Light, SPST
52003178	COMP.	Luggage Comp.	20 Amp, On/Off, SPST
52003179	HORN	Horn	20 Amp, Momentary On, SPST
52003180	MIRROR	Mirror	On/Off, Amber Pilot Light, SPST
52003181	WIPER	Wiper	Park/Low/High, DPDT
52003182	W/S WASHER	Windshield Wiper	20 Amp, Off Momentary On, SPST
52003183	FOG	Fog	On/Off, Amber Pilot Light, SPST
52003184	EMERG. DOOR	Emergency Door	On/Off, Amber Pilot Light, SPST
52003185	SIGN	Sign	20 Amp, On/Off, SPST
52003186	OVERRIDE	Override	20 Amp, On/Off, DPST
52003187	OVERRIDE	Override	20 Amp, Momentary On, SPST
52003188	MASTER	Master	On/Off, Red Pilot Light, SPST
52003189	STEP DOOR	Step/Door	20 Amp, On/Off, SPST
52003190	SANDER	Sander	On/Off, Red Pilot Light, SPST
52003191	DEF.	Defroster	20 Amp, On/On/On, SPST
52003192	LEFT HEATER	Left Heater	20 Amp, On/On/On, DPDT
52003194	RIGHT HEATER	Right Heater	20 Amp, On/On/On, DPDT
52003195	PASS. HEATER	Pass. Heater	20 Amp, On/On/On, DPDT
52003196	FAN	Fan	20 Amp, On/On/On, DPDT
52003197	STEP HEATER	Step Heater	20 Amp, On/On/On, DPDT
52003198	WARNING	Warning	20 Amp, On/Off, DPST

# SWITCHES

## Curved Rocker



52003199



52003200



52003201



52003401



52003402



52003432

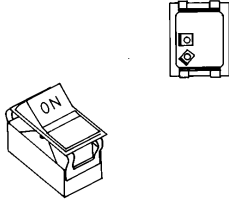


52003549

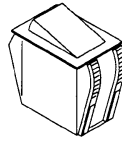
Part No.	Description	Switch Function	Type
52003199	DEF. HEATER	Defroster/Heater	20 Amp, On/On/On, DPDT
52003200	SPEAKER	Speaker	20 Amp, On/On/On, DPDT
52003201	DRIVER'S HEATER	Driver's Heater	20 Amp, On/On/On, DPDT
52003401	A/C FAN	A/C Fan	On/On/On, DPDT (Gray)
52003402	A/C	A/C Air Vent	On/Off, SPST (Gray)
52003432	VIDEO CAMERA	Video Camera	On/Off, SPST (Gray)
52003549	LIFT	Lift	On/Off, W/Red Flashing Pilot Light, SPST (Gray)

# SWITCHES

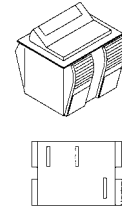
## Rocker



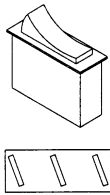
Part No.	Description
22034373	Switch - Rocker, Momentary, 0801-1043



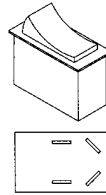
Part No.	Description
52001244	Switch - Heat Amber Pilot, Mirror



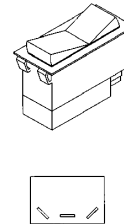
Part No.	Description
52000932	Switch - Air Door, 12 Volt



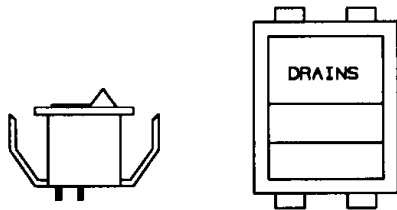
Part No.	Description
85650592	Switch - Rocker, Short Bat



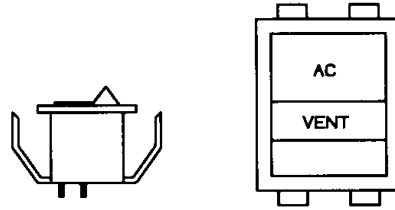
Part No.	Description
65002978	Switch - A/C Control, 2 Circuit, Progressive



Part No.	Description
85650128	Switch - Rocker, Unfold/Fold,, Momentary Orange, SPDT
85650129	Switch - Rocker, Down/Up, Momentary Red, SPDT

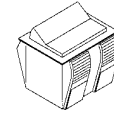
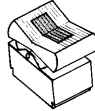
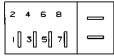
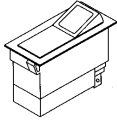


Part No.	Description
61200806	Switch - Rocker, Drains, Double Pole, Momentary



Part No.	Description
52000453	Switch - Rocker, A/C Vent, Imprinted

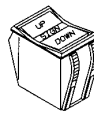
## Rocker



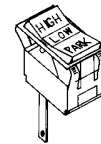
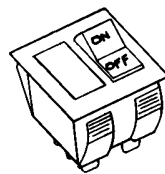
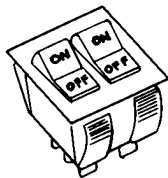
Part No.	Description
61200591	Switch - SWF, DPDT, Momentary, 12 Volt
52000869	Switch - SWF, On/Off, 12 Volt
52001028	Switch - SWF, Off-Low-High, 12 Volt
52001029	Switch - Rocker, SWF, On/Off, with Pilot Light
86480053	Switch - Fast Idle, Assembly
52000871	Switch - SWF, On/Off, 12 Volt
52000872	Switch - SWF, Off-Low-High, 12 Volt

Part No.	Description
65000396	Switch - Start/On/Off, AC, 57529

Part No.	Description
52000652	Switch - Override, 8-Light, Warning System
61200815	Switch - Rocker, Amber Pilot Light, On/Off
52001655	Switch - Rocker, Hi/Lo, Imprinted, DPDT
61200397	Switch - Rocker, DPST, Green Pilot



Part No.	Description
52001234	Switch - Rocker, Single Destination Sign

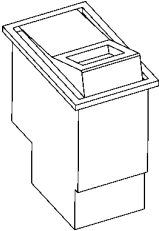


Part No.	Description
52000792	Switch - Rocker Double, On/Off
52000794	Switch - Heater & Fan Double

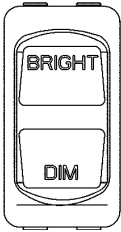
Part No.	Description
52000793	Switch - Rocker, Single, On/Off, Imprinted, Black Lens
52000795	Switch - Heater Single, Black Lens
52000796	Switch - Rocker, Single, LH, On/Off
22065374	Switch - Windshield Washer, RH, Black Lens
22061376	Switch - Rocker, Single, LH, On/Off

Part No.	Description
22035373	Switch - Windshield Washer
22004376	Switch - Windshield Wiper, Hi/Lo/Park

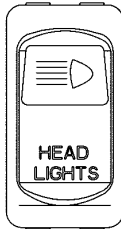
**Rocker**



Part No.	Description
61200543	Switch - Rocker, Hazard, SWF
61200580	Hazard, Decal Insert



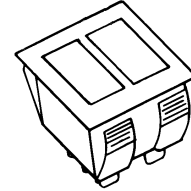
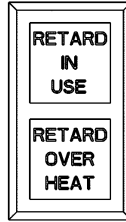
Part No.	Description
61202103	Switch - Rocker, Dimmer



Part No.	Description
61202104	Switch - Rocker, Headlight DPDT

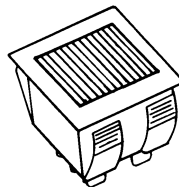
# SWITCHES

## Pilot Lights & Blanks

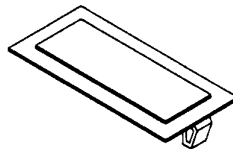


Part No.	Description
52002124	Light - Pilot, Red Lens
52002125	Light - Pilot Amber Lens
52002127	Light - Pilot, Brake
52002128	Light - Pilot, Red, Side Exit Door
52002129	Light - Pilot, Lift, Red Lens
52002130	Light - Pilot, Stop Request
52002131	Light - Pilot, Red Lens, Warning Lights
52002132	Light - Pilot, Green, Vertical, Windshield Wiper
52002205	Light - Pilot, Green, Lift
52002241	Light - Pilot, Amber & Red, Warning Light Symbol
52002684	Light - Pilot, Reverse, Green
52002713	Light - Pilot, ADA Stop Request, Red Lens
52003030	Light - Pilot, A/C Fail, Blue
61201251	Light - Pilot, Low Hydraulic Fluid
52003258	Light - Pilot, Green Lens, Black Matte Finish
52003536	Light - Pilot, Flashing, Red (L.E.D.), S.X.D
52003537	Light - Pilot, (LIFT) Red Lens, (L.E.D.)
52005372	Light - Pilot (PUSH OUT OPEN) Red Lens
61201269	Lamp - Dash, Indicator, Red
52002126	Light - Pilot, Red, Emergency Door
52002176	Light - Pilot, Green, Emergency Door
61201283	Lamp - Dash Indicator, Red, (SERVICE BRAKES

Part No.	Description
61201053	Lamp - Pilot, Retarder, Amber/Red, Double, In Use/Overheat

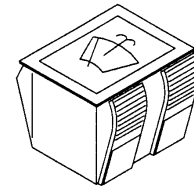


Part No.	Description
22005376	Light - Pilot, Amber
22006376	Light - Pilot, Red
22007376	Light - Pilot, Green

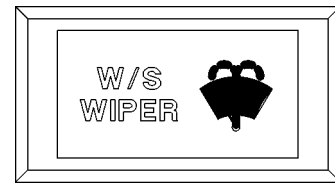


Part No.	Description
52000879	Cover - Switch, Blank
52002106	Cover - Switch, Blank, V-Series Switch Cutout
52002232	Cover - Switch, Blank, V-Series Switch Cutout, Low Gloss ABS, Black
52004596	Hole Plug, Gray
61200563	Cover - Switch, Blank,, SWF CAT

Part No.	Description
22050376	Blank - Hole, Switch Cabinet, TTG-XTH1
22003376	Light - Pilot, Red & Amber

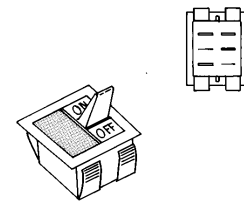
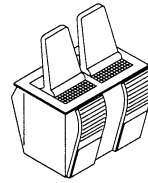
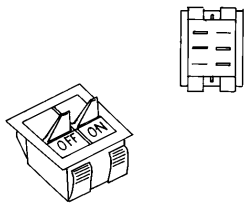


Part No.	Description
52001678	Light - Pilot, Amber, Wiper/Washer Symbol



Part No.	Description
52002139	Light - Pilot, Green, Horizontal, Windshield Wiper

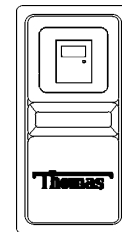
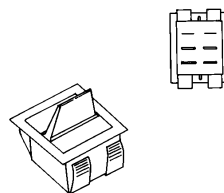
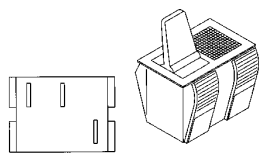
## Paddle



Part No.	Description
22012376	Switch - Warning Light, Iowa, Red/White, On/Mom. On/Mom. Off
22030371	Switch - Paddle, Utah, DPST, 0811-1310, Black/White
22062376	Switch - Warning Light, On/Off

Part No.	Description
52001537	Switch - Double, Indicator Light
61200395	Switch - Double Paddle, Amber Pilot Light, 12 Volt

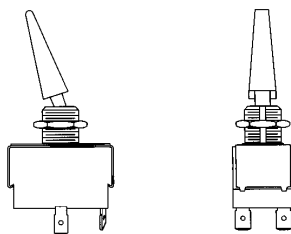
Part No.	Description
22039375	Switch - Paddle, Pilot Light, Red
22063376	Switch - Paddle, Momentary - On & Blank, White
52000328	Switch - Mini, Amber Pilot, White Paddle, Momentary On



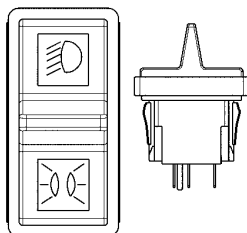
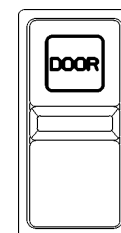
Part No.	Description
61200312	Switch -Paddle, Red Pilot Light

Part No.	Description
52000053	Switch - Paddle, Warning Light, Fail Safe

Part No.	Description
52003066	Switch - Door, Paddle, Red
52003731	Switch - Door, Paddle, Gray
52003070	Switch - Door, Paddle, Black



Part No.	Description
65000449	Switch - Air Conditioning, #57493, DPST

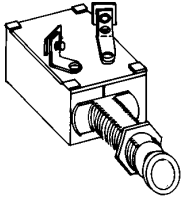


Part No.	Description
61201513	Switch - Headlight/Marker DPDT

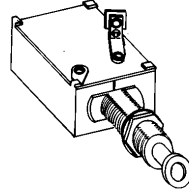
Part No.	Description
52006598	Switch - Door, Paddle, Green L.E.D (Gray)
52006570	Switch - Door, Paddle, On/Off, DPDT
52006601	Switch - Door, Paddle, Red Paddle
52003138	Switch - Electric Door, Paddle, Mom. On/Off/Mom. On, DPDT
52005578	Switch - Door Control, Red, Paddle
52004593	Switch - Door Control, Green L.E.D., Paddle

# SWITCHES

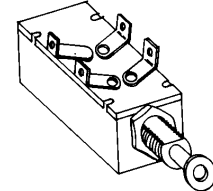
## Contact/Push/Pull



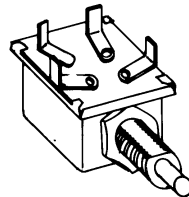
Part No.	Description
22051379	Switch - Momentary, Door, SPST, 9264-04
52002965	Switch - Push Button, SP
86230066	Switch - Ether Starting Aid
22019365	Switch - Buzzer, 9264



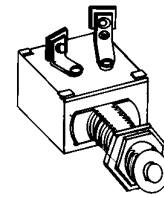
Part No.	Description
22050379	Switch - Momentary, Door SPST



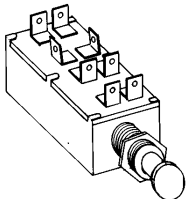
Part No.	Description
22052379	Switch - Momentary, Door, DPST, 9118-06



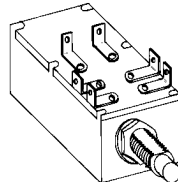
Part No.	Description
22032370	Switch - Overdrive Kickdown



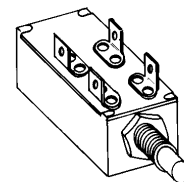
Part No.	Description
22018365	Switch - Buzzer, Pull Type



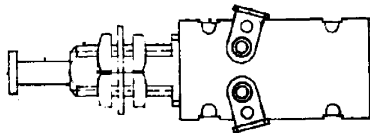
Part No.	Description
22023373	Switch - Momentary, Auto Reset, 91050
52002136	Switch - Vandalock, 90076



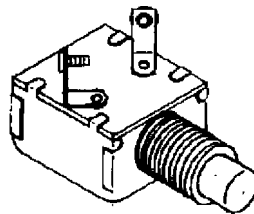
Part No.	Description
22144365	Switch - Door, 6 Pole



Part No.	Description
22145365	Switch - Door, 4 Pole, P26020



Part No.	Description
22053379	Switch - Momentary, Door, 91800-03



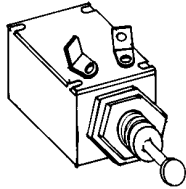
Part No.	Description
22173365	Switch - Spring Return, 185-2 2876



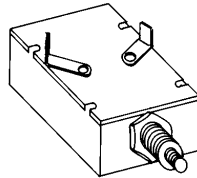
Part No.	Description
65000757	Switch - Sensor, Reb Lift #117



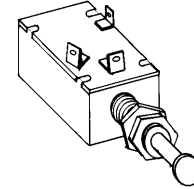
## Contact/Push/Pull



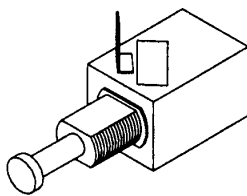
Part No.	Description
22020365	Switch - Master 3-501 5051



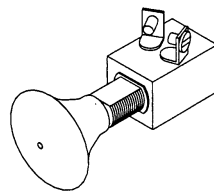
Part No.	Description
25165377	Switch - Two Position, Rev Action, Vacuum Sign, 653 Coarse Thread
22008367	Switch - Two Position, Vacuum Stop Sign 651, Fine Thread



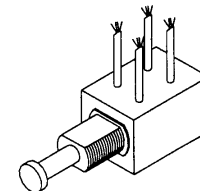
Part No.	Description
22187365	Switch - Heater, 3-502 5052



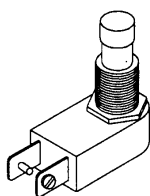
Part No.	Description
52000051	Switch - Engine Compartment Door



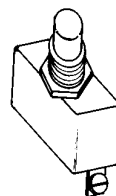
Part No.	Description
25180371	Switch - Push/Pull, Two Position



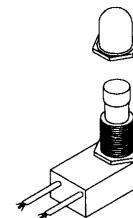
Part No.	Description
52000720	Switch - Buzzer & Ignition Relay, Two Circuit (Blade Terminals)
52001077	Switch - Momentary, SPDT (4 Wire Leads)



Part No.	Description
22005368	Switch - Momentary, Push Button



Part No.	Description
22006373	Switch - Electric Windshield Wiper
65000755	Switch - Robert Shaw, Reb Lift, #106



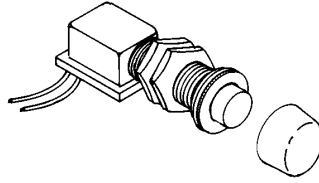
Part No.	Description
52000659	Switch - Emergency Door, Push Button, NC, 75 Amp
52001083	Boot - Push Button, Black

# SWITCHES

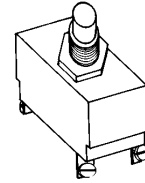
## Contact/Push/Pull



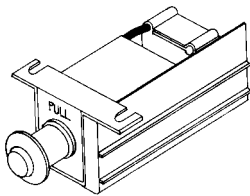
Part No.	Description
22030375	Switch - Electric, Windshield Washer



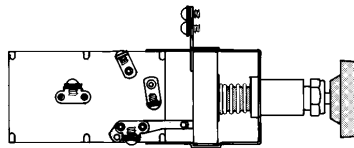
Part No.	Description
52000155	Switch - Momentary, On, Vinyl Seal, SPST, with Boot
85520087	Boot - Rubber



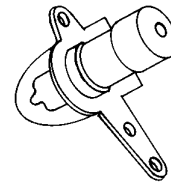
Part No.	Description
65000756	Switch - Reb Lift, #102, 8448K2



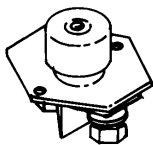
Part No.	Description
61200415	Switch - Hazard Light, with FMVSS
86200025	Knob - Hazard, Red Lens With Hazard Symbol



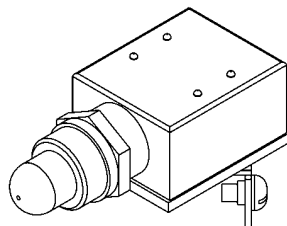
Part No.	Description
61200167	Switch - Headlight, with Light Dimmer
61200880	Switch - Headlight, With Rheostat
86480517	Switch - Headlight, All-Star
86200012	Knob - Headlight, Switch



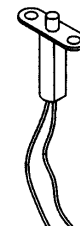
Part No.	Description
61200103	Switch - Dimmer, Heavy Duty, 7784
61200267	Switch - Turn Signal, Floor Mounted



Part No.	Description
22146365	Switch - Momentary, Foot Operated

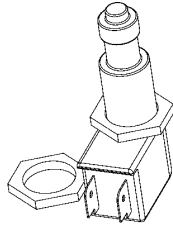


Part No.	Description
61200100	Switch - Start, 9023



Part No.	Description
85560016	Switch - Plunger, Alarm Buzzer

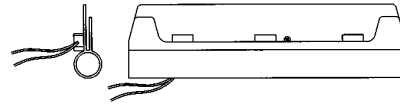
## Contact/Push/Pull



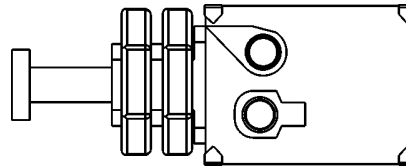
Part No.	Description
61200952	Switch - Push Button - N./C Momentary Contact, SPST, 6 Amp
61201819	Switch - Push Button - N./C Momentary Contact, SPST, 6 Amp (Replaces 61200952)



Part No.	Description
61180024	Switch - Neutral & Reverse, Automatic Transmission, #302007



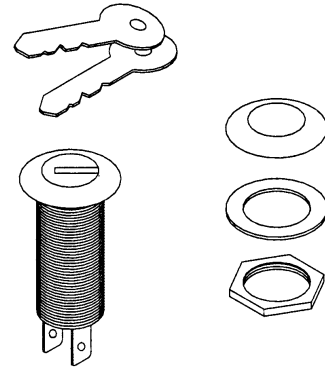
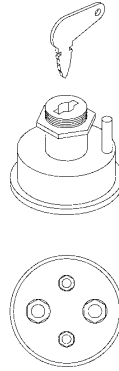
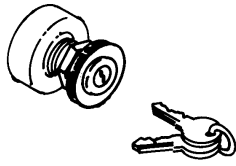
Part No.	Description
56000107	Hinge - Release, with Alarm Switch #2820



Part No.	Description
52004992	Switch - Momentary Contact, NC GND

# SWITCHES

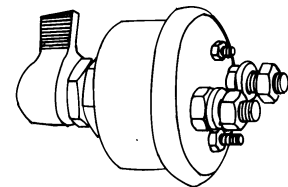
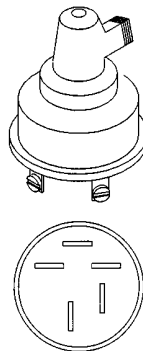
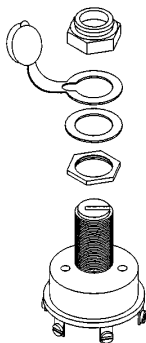
## Rotary



Part No.	Description
22176365	Switch - Key Type, Cut-Off, OMS, ULS-600
61200148	Switch - Ignition, Pollak #31-105
86480091	Switch - Ignition, Pollak #193-1
86480624	Switch - Ignition, Pollak #220-1A
61200812	Ignition Switch Key, Type (Keyed Alike)
61200881	Ignition Switch Key, Type (Keyed Different)
61201261	Ignition Switch Key, D250 Key Code

Part No.	Description
52000090	Switch - Battery Cut-Off Key

Part No.	Description
52000230	Switch - Key Lock
52003552	Switch-Keyed, Open Or Closed Contact, 2-Terminal

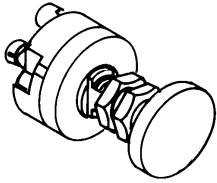


Part No.	Description
52001972	Switch - Key Operated, 12 Volt, 20 Amp
52001974	Cap - Electric Key Switch, Black
52001975	Face Nut - Electric Key Switch

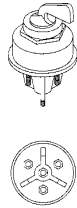
Part No.	Description
65000802	Switch - Air Condition, #57942

Part No.	Description
22029367	Switch - Battery, Cut-Off Manual, #75903
61200502	Switch - Master Disconnect, #75904-01
61201197	Switch, Disconnect, Master Battery, For TL960

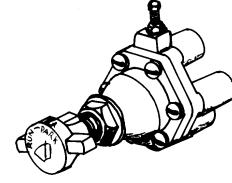
## Rotary



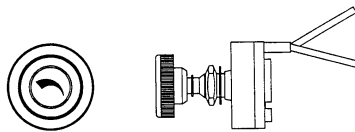
Part No.	Description
22030367	Switch - Rheostat with Black Knob, #7493-01



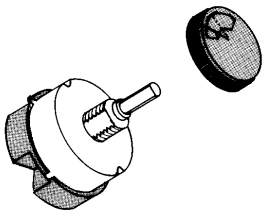
Part No.	Description
61200161	Switch - Keyless Ignition



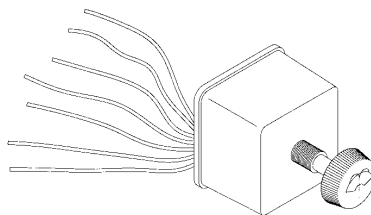
Part No.	Description
25130368	Switch - Air Wiper, F-1650-2



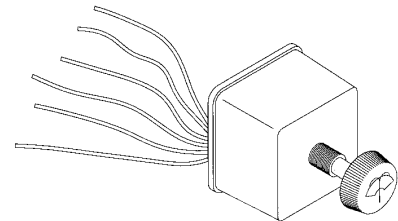
Part No.	Description
52002105	Switch - Dimmer, 10 Amp
52001389	Knob - Dimmer Switch



Part No.	Description
52000242	Switch - Electric Windshield Wiper, with Circuit Breaker
85520006	Knob - Wiper, Control Switch
52001121	Switch - Rotary, Three Position Windshield Wiper & Washer
52001175	Switch - Dual Motor Control, Windshield, 10-Terminal
52001176	Switch - Dual Windshield Washer, 7-Terminal
85520051	Knob - Intermittent, Wiper Switch



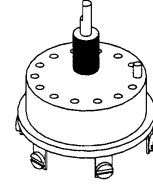
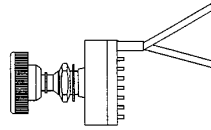
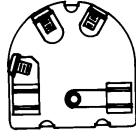
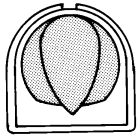
Part No.	Description
52000416	Switch - Intermittent Wiper, without Dynamic Park (7 Wire)
52001122	Switch - Intermittent Delay, Dual Motor, Scat
85520051	Knob - Intermittent



Part No.	Description
52001194	Switch - Windshield Wiper & Washer, Intermittent (6 Wire)
52001188	Switch - Windshield Wiper & Washer, Two Motor, Vista
85520051	Knob - Intermittent

# SWITCHES

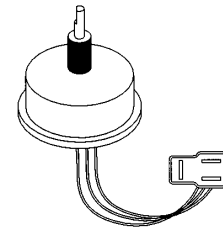
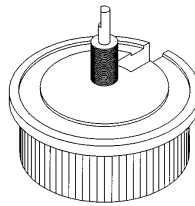
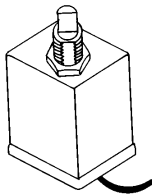
## Rotary



Part No.	Description
22027367	Switch - Light In Knob, 26-501, 5978

Part No.	Description
52001640	Switch - Dimmer, 10 Amp

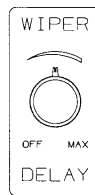
Part No.	Description
61200160	Switch - Master Control



Part No.	Description
65000401	Switch - Thermostatic A/C
85650830	Switch - Thermostatic A/C

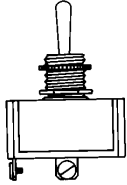
Part No.	Description
22016379	Switch - Rheostat Wound, Power 160 HM

Part No.	Description
52000382	Switch - Rheostat, 4 Amp
52001389	Knob - Dimmer Switch

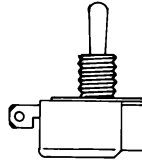


Part No.	Description
52002394	Module - Intermittent Relay For Dual Wiper Motors
52002395	Module - Intermittent Relay For Single Wiper Motor With Switch

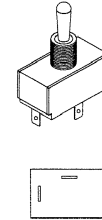
## Toggle



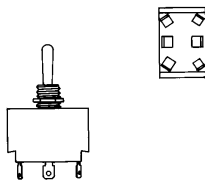
Part No.	Description
61200116	Switch - Toggle, Carling, 2FA54-73
61200499	Boot - Seal, Toggle Switch



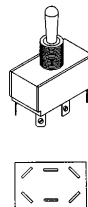
Part No.	Description
65000434	Switch - Toggle, A/C, 51120



Part No.	Description
85650428	Switch - Radio, PA/PA Radio



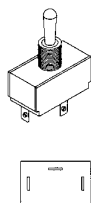
Part No.	Description
22079376	Switch - Toggle, Momentary, On/Off
52000407	Switch - Center Off, 3 Position, DPDT
52001195	Switch - Toggle, On/Off
65000384	Switch - Service, 52570



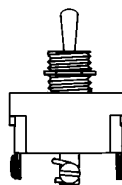
Part No.	Description
22006368	Switch Toggle, Double Pole
52000439	Switch - Speaker
52000483	Switch - Toggle, Momentary, On/Off, DPST
85650427	Switch - Radio, Internal/External



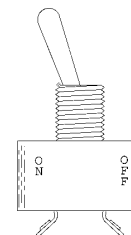
Part No.	Description
52000440	Switch - Toggle, PA/Radio Panasonic
52001336	Switch - Toggle, Momentary



Part No.	Description
52000231	Switch - Momentary, Center Off, 3 Pole, SPDT



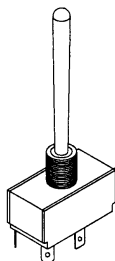
Part No.	Description
22175365	Switch - Toggle, 125-92107
65001013	Switch - Toggle, 6 Pole, Reb Lift, #164



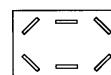
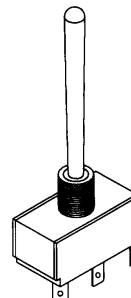
Part No.	Description
52002886	Switch - Toggle, 15 Amp, On/None/Momentary Off
52002880	Switch Guard

# SWITCHES

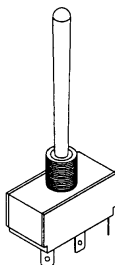
## Toggle



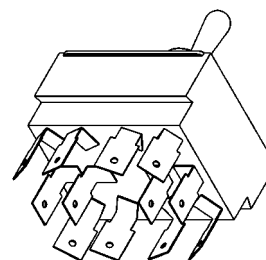
Part No.	Description
52001060	Switch - Toggle, Fold/Unfold, Braun Lift, 10558
74960087	Switch - Toggle, Carling, LT-1511-120-012 Amber Light



Part No.	Description
52001791	Switch - Toggle, Long Bat, 20 Amp, Momentary, On/Off/On



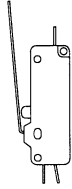
Part No.	Description
52001061	Switch - Toggle, Up/Down, Braun Lift, 15362



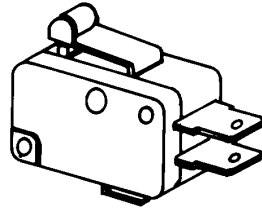
Part No.	Description
52005771	Switch - Toggle, Four Pole, Double Throw



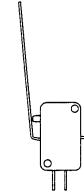
## Micro



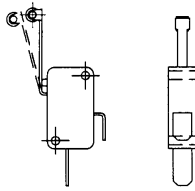
Part No.	Description
52000152	Switch - Snap Acting, 15 Amp, With Lever Actuator, SPDT



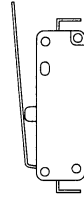
Part No.	Description
52000243	Switch - Micro, Transit Sash



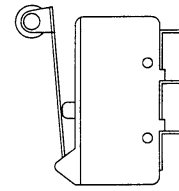
Part No.	Description
52001059	Switch - Micro, Braun Lift
85650138	Switch - Micro, SPDT



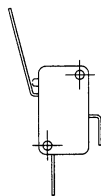
Part No.	Description
52001639	Switch - Miniature, Standard Roller Lever



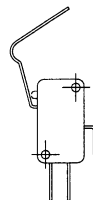
Part No.	Description
65000923	Switch - Limit, Electric Stop Sign



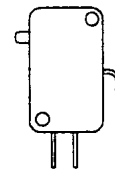
Part No.	Description
85520052	Switch - Door Control, Bode, Five Position



Part No.	Description
85560045	Switch - Miniature, Alarm Buzzer, Low Profile Roof Escape Hatch



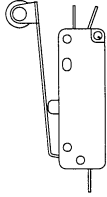
Part No.	Description
85560055	Switch - Micro, Buzzer, Roof Escape Hatch



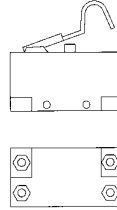
Part No.	Description
85650238	Switch - Limit, 5000 Series, Electric Stop Sign

# SWITCHES

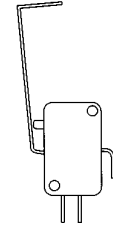
## Micro



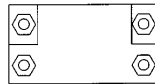
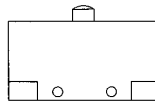
Part No.	Description
85650529	Switch - Micro, Reb Lift



Part No.	Description
85640082	Switch - Micro, Side Exit Door

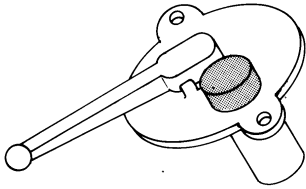


Part No.	Description
85650317	Switch - Limit, Power Cut-Off

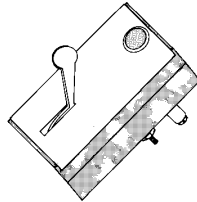


Part No.	Description
85640010	Switch - Snap Action

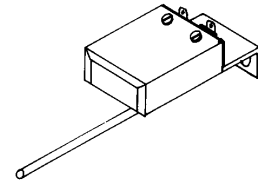
## Miscellaneous



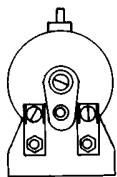
Part No.	Description
22028367	Switch - Turn Signal Lever Action 828



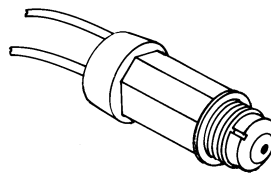
Part No.	Description
25018378	Switch - Electric Sander 40130 A-730



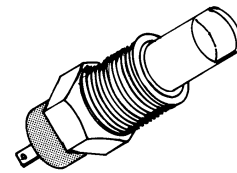
Part No.	Description
61230586	Switch - Throttle, Assembly



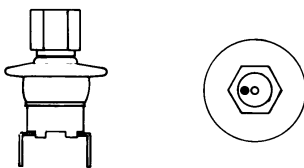
Part No.	Description
52000319	Switch - Air Wave Bode #0057.17



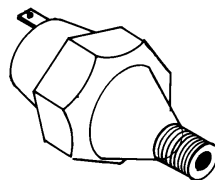
Part No.	Description
61200171	Switch - Neutral, DDA #23011921



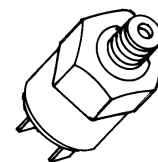
Part No.	Description
61200231	Switch - Temperature 84210



Part No.	Description
65000414	Switch - Pressure A/C 70801



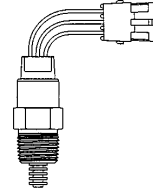
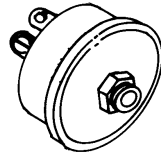
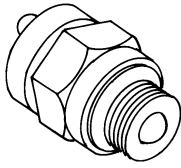
Part No.	Description
22036377	Switch - Stoplight #1749- 11107 Fasco
61200230	Switch - Oil Pressure, 6 PSI
86480002	Switch - Low Oil Pressure



Part No.	Description
52000320	Switch - Pressure, Bode #441014011

# SWITCHES

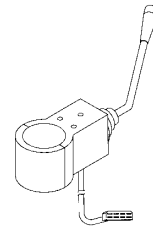
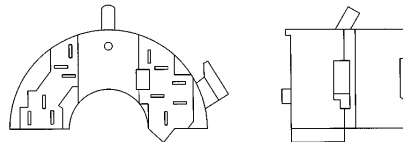
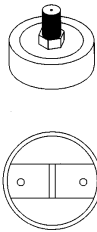
## Miscellaneous



Part No.	Description
61200392	Switch - Light, Back-Up, N.O.
61200394	Switch - Neutral Safety, N.C.

Part No.	Description
61230597	Switch - Hobbs Pressure Sensing

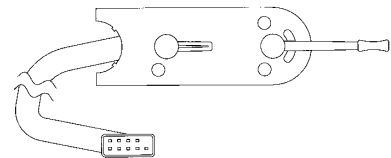
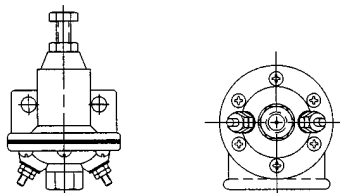
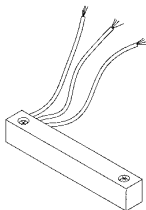
Part No.	Description
61230334	Switch - Fan Control, Inlet Air Sensor



Part No.	Description
61130409	Switch - Stoplight, Berg #32510

Part No.	Description
61200740	Switch - Tilt Steering Column Assembly
61200741	Lever - Tilt/Telescoping Steering Column Assembly
86320104	Kit - Turn Signal Lever, Replaces 61200741
86320085	Kit - Steering Column Wire Harness
86320109	Kit - Cancellation Cam, Steering Column

Part No.	Description
61200242	Switch - Turn Signal

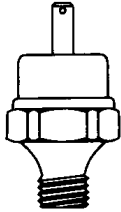


Part No.	Description
85450041	Switch - Actuator, Transit Sash

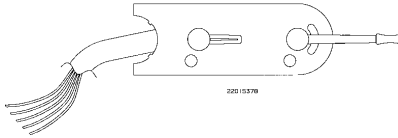
Part No.	Description
61170208	Switch - Pressure, Adjustable Low Air

Part No.	Description
52000120	Switch - Combination

## Miscellaneous



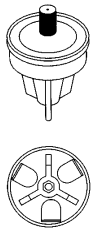
Part No.	Description
52001817	Switch - Stoplight, #1749-2105
64003009	Switch - Pressure, Assembly, with Fittings for Warning & Step Lights



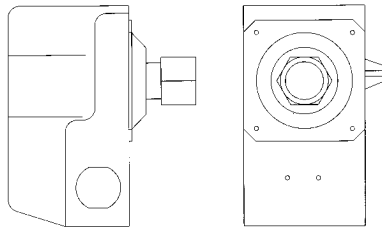
Part No.	Description
22015378	Switch - Turn Signal



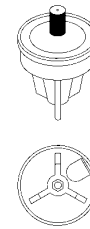
Part No.	Description
61230392	Switch - Oil Pressure, 15 PSI
61230393	Switch - Oil Pressure, 20 PSI



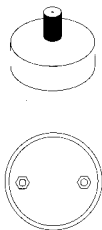
Part No.	Description
61230331	Switch - Pressurestat, NC 10 PSI, 3 Terminal



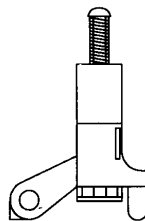
Part No.	Description
65000600	Switch - Pressure, #AF265



Part No.	Description
61230653	Switch - Pressure, NC, 10 PSI, 1 Terminal



Part No.	Description
86480239	Switch - Stop Light



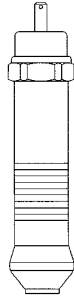
Part No.	Description
86480723	Switch - Park Brake Light



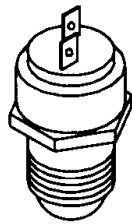
Part No.	Description
86480465	Switch - Low Water

# SWITCHES

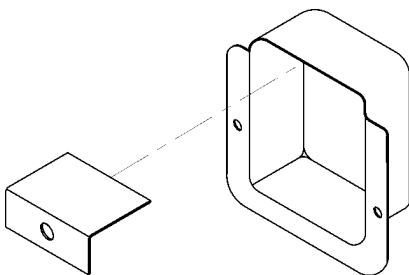
## Miscellaneous



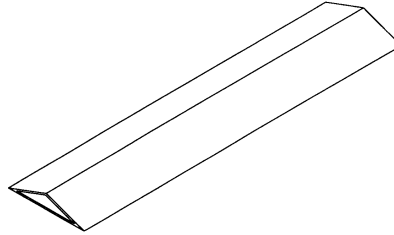
Part No.	Description
86480589	Switch - Brake Light



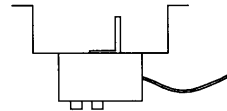
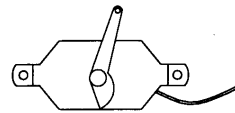
Part No.	Description
61180100	Switch - Neutral & Reverse, Automatic Transmission



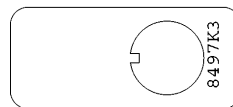
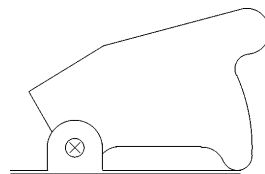
Part No.	Description
52000399	Rear Escape Hatch Switch Cover Assembly



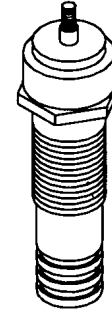
Part No.	Description
52000607	Switch - Ribbon, 3/16" x 3/4" x 50", Black #102-B



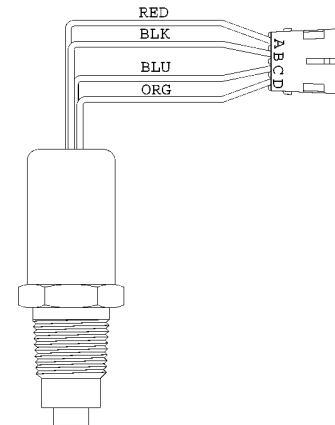
Part No.	Description
65000442	Switch - Freeze, A/C, #7042-1



Part No.	Description
52002880	Switch Guard



Part No.	Description
61230644	Switch - Fan Control, Water Temperature 190° (1/2-14 NFPT)
61230645	Switch - Fan Control, Water Temperature 195° (1/2-14 NFPT)
61230646	Switch - Fan Control, Water Temperature 200° (3/8 18 NFPT)
61230647	Switch - Fan Control, Water Temperature 205° (3/8 18 NFPT)
61230658	Switch - Fan Control, Water Temperature 185° (1/2-14 NFPT)
61230732	Switch - Fan Control, Water Temperature 200° (1/2-14 NFPT)



Part No.	Description
61230648	Switch, Dual Temperature, Control (175 DEG. F NC/190 DEG. F NC)
61230657	Switch, Dual Temperature, Control (175 DEG. F NC/200 DEG. F NC)

**Turn Signal Switch Chart**

<b>Product Line</b>	<b>Switch</b>	<b>Column</b>
MVP, P	61320135	61320108
MVP, P	61320133	61320585 61320586 61320587 61320588
All Models	6120-0267	Foot Operated Turn Signal
MVP, P (High W/S) SCAT CHARTOUR CITILINER	6120-0242	61320172
MVP, P (Low W/S)	6120-0740	61320205 61320205 61320206 61320207 61320208 61320209 61320210
	SIG 91250 TL 960Y101	61320211 61320816

# SWITCHES

---

---



TABLE OF CONTENTS

Warning .....2.2

Turn Signal .....2.6

Stop & Tail .....2.11

Stop, Tail & Back-Up .....2.16

Marker .....2.18

Back-Up .....2.23

Headlight .....2.27

Headlight/Parking .....2.29

Step .....2.30

Dome .....2.32

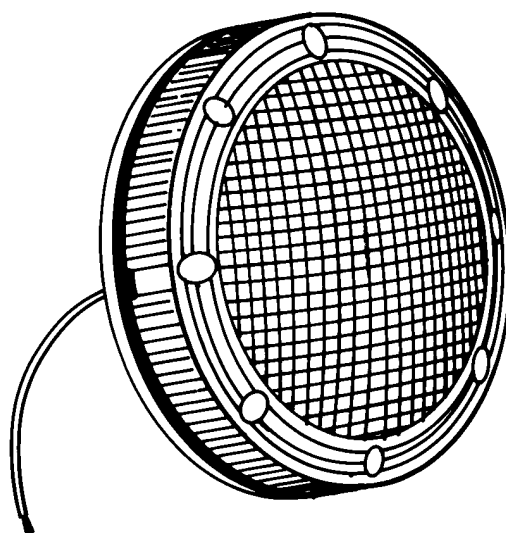
Dome/Door .....2.33

Fluorescent .....2.34

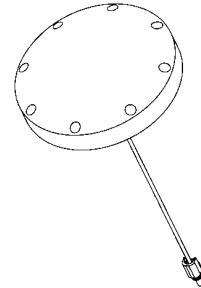
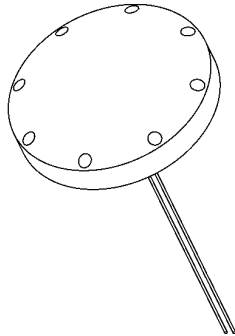
Strobe .....2.35

## Warning

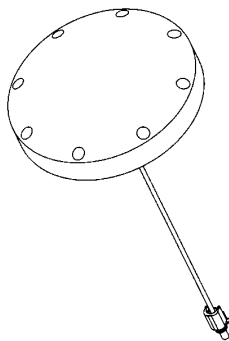
Part No.	Description
80520250	Light - Warning, Red, Assembly, 2000 (Baader Brown)
80520249	Base - 2000
80520248	External Gasket - Lens
80520247	Internal Gasket - Base
80520245	Red Lens
22003369	Bulb - Sealed Beam Warning Lights
80520251	Light - Warning, Amber, Assembly, (Baader Brown)
80520249	Base - 2000
80520248	External Gasket - Lens
80520247	Internal Gasket - Base
80520246	Red Lens
22003369	Bulb - Sealed Beam Warning Lights
52001658	Light - Warning, Red, Seal Beam (KD #745)
85520071	Red Lens
22003369	Bulb - Sealed Beam Warning Lights
85690010	Screw - Lens
85520001	Gasket - Mounting
85520064	Gasket - Lens, Turn Signal
52001659	Light - Warning, Amber, Seal Beam (KD #745)
85520072	Amber Lens
22003369	Bulb - Sealed Beam Warning Lights
85520064	Gasket - Lens, Turn Signal
85690010	Screw - Lens
85520001	Gasket - Mounting
52002426	Light - Warning, Red, Halogen (KD #845)
85520136	Red Lens
85520190	Reflector
85520134	Bulb - Warning Light, Halogen
52002427	Light - Warning, Amber, Halogen (KD #845)
85520135	Amber Lens
85520190	Reflector
85520134	Bulb - Warning Light, Halogen
22025372	Light - Warning, Red, Seal Beam (Weldon 1020)
22049372	Red Lens
22003369	Bulb - Sealed Beam Warning Lights
52000442	Gasket - Light Base, Black
52000443	Gasket - Lens, White
22026372	Light - Warning, Amber, Seal Beam (Weldon 1020)
22050372	Amber Lens
22003369	Bulb - Sealed Beam Warning Lights
52000442	Gasket - Light Base, Black
52000443	Gasket - Lens, White



## Warning

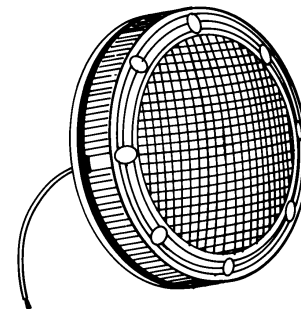
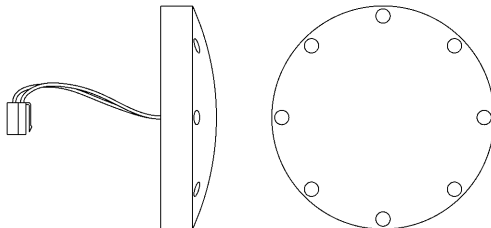


Part No.	Description
52004546	Light, Amber 7" Warning (Invertec)
52004551	Light, Red 7" Warning (Invertec)



Part No.	Description
52004078 52003598	Light - Warning Red, Assembly, 7" Connector- Weatherpack, 2 Pin Lens - WTE OC11 1183 00 Bulb - WTE OE28 1060 00
52004077 52003598	Light - Warning, Assembly, 7" Amber Connector- Weatherpack, 2 Pin Lens - Amber WTE OC12 1184 00 Bulb - Halogen 55 Watts (#3) WTE OC28 1060 00
52004799	Light - Warning, Halogen, Red, W/Ground Lead Lens - Red WTE OC11 1183 00 Bulb - Halogen 55 Watts (#3) WTE OE28 1060 00
52004800	Light - Warning, Halogen, Amber, W/Ground Lead Lens - Amber WTE OC12 1184 00 Bulb - Halogen 55 Watts (#3) WTE OE28 1060 00

Part No.	Description
52005290	Light, Amber 7" Warning, Sealed Beam W/Connector
52005291	Light, Red 7" Warning, Sealed Beam W/Connector

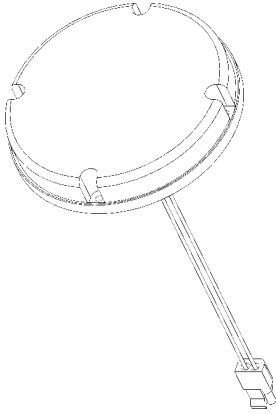


Part No.	Description
52005600	Warning Light, Halogen, Red, W/Ground Lead Lens - WTE OC11 1183 00 Bulb - WTE O#28 1060 00
52005602	Warning Light, Halogen, Amber, W/Ground Lead Lens - WTE OC12 1184 00 Bulb - WTE OE28 1060 00

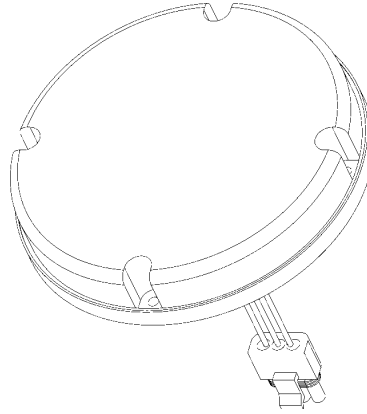
Part No.	Description
52004021	Warning Light, Halogen, Amber
52004022	Warning Light, Halogen, Red
52004797	Warning Light, Halogen, Red, Internal Ground
52004798	Warning Light, Halogen, Amber, Internal Ground
52003980	Light - Yellow Warning, W/Connector (Weldon)
52003981	Light - Red Warning, W/Connector (Weldon)

# LIGHTS

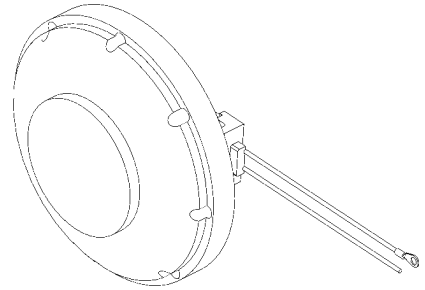
## Warning



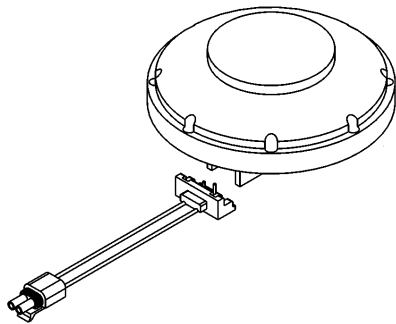
Part No.	Description
52004081	Light, 7" Amber L.E.D., Flat Back W/Connector (Truck-Lite)



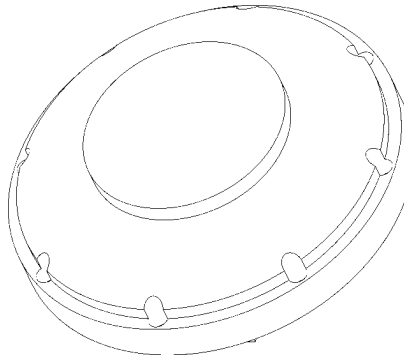
Part No.	Description
52004082	Light, Red 7" Warning W/Connector, Flat Back (Truck-Lite)



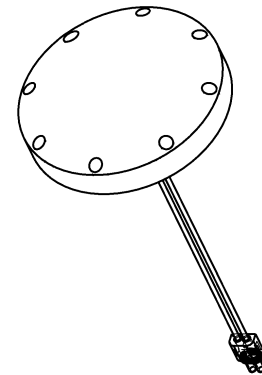
Part No.	Description
52005029	Light Kit, 7" Incandescent, Yellow (Truck-Lite)
52002435	Gasket, Mounting
52005031	Harness, Pigtail
52002436	Lamp



Part No.	Description
52005030	Light Kit, 7" Incandescent, Yellow, Truck-Lite
52002435	Gasket, Mounting
52004530	Harness, Pigtail
52002436	Lamp



Part No.	Description
52002434	Lamp, 7" Incandescent Red (Truck-Lite), #91002r
52002436	Lamp, 7" Incandescent Yellow (Truck-Lite), #91002y

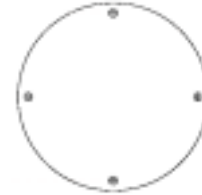
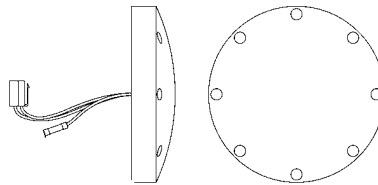
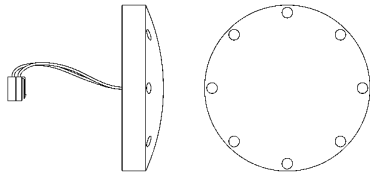


Part No.	Description
52004969	Light, Red 7" Warning Led W/Connector
52004970	Light, Amber 7" Warning Led W/Connector

Part No.	Description
52004522	Light, 7" Incandescent Yellow, Kit, Truck-Lite
52002435	Gasket, Mounting
52004515	Harness, Pigtail
52002436	Lamp

Part No.	Description
52004513	Light, 7" Incandescent Red, Kit, Truck-Lite
52002435	Gasket, Mounting
52004515	Harness, Pigtail
52002434	Lamp

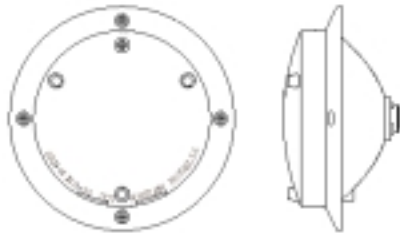
## Warning



Part No.	Description
52005605	Warning Light, Led, Red W/Ground Lead
52005606	Warning Light, Led, Amber W/Ground Lead

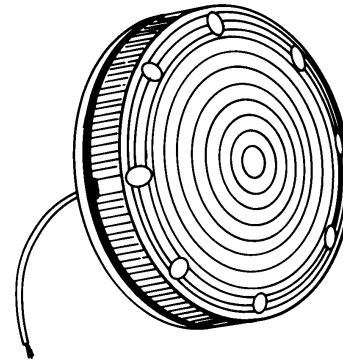
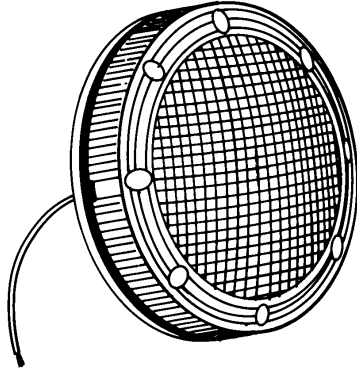
Part No.	Description
52005816	Warning Light Assembly, Strobe Led, Red
52005817	Warning Light Assembly, Strobe Led, Amber

Part No.	Description
52003492	Light, 7" Amber L.E.D. Round Turn/Warning
52003493	Light, 7" Red L.E.D. Round S/S/T



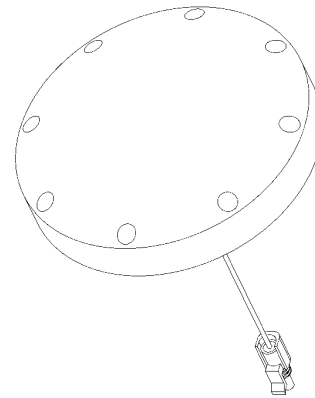
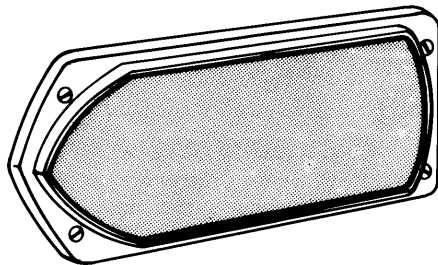
Part No.	Description
52000035	Head - Red, NJ. Strobe Warning (Whelen)
52000036	Head - Amber, NJ. Strobe Warning (Whelen)
52002431	Light - Strobe, Red (Whelen)
52002481	Light - Strobe, Amber (Whelen)
52002429	Supply - Power, Strobe, Warning Light System (Whelen)

## Turn Signal



Part No.	Description
22055368	Light - Turn Signal, Amber (Guide)
25128368	Lens - Amber, Turn Signal (Guide)
22069365	Bulb - Miniature, #1156, 12-Volt
22056368	Light - Stop, Rear, Red

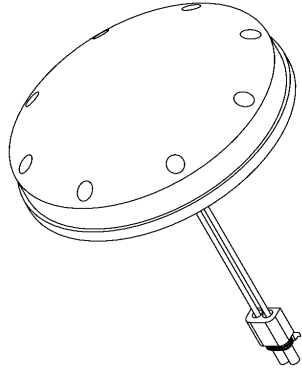
Part No.	Description
22047377	Light - Turn Signal, 7 Amber (KD 744)
22003378	Lens - Amber, Turn Signal(KD 744)
22069365	Bulb - Miniature, #1156, 12-Volt
85520064	Gasket - Lens
85690010	Screw - Lens
85520001	Gasket - Mounting
85520084	Pigtail - Light



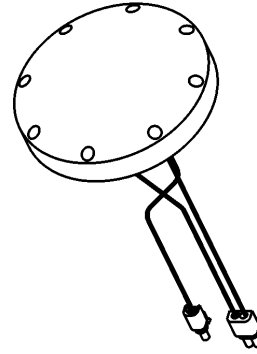
Part No.	Description
22056368	Light - Turn Signal, Red (Guide)
25127368	Lens - Red, Turn Signal (Guide)
22069365	Bulb - Miniature, #1156, 12-Volt

Part No.	Description
52004033	Turn, Amber, W/Bulb & Connector (Weldon)
TBB 22059372	Lens - Amber, Turn Signal
TBB 22069365	Bulb - Miniature, #1156, 12-Volt
TBB 52000443	Gasket - Len, White
TBB 52000444	Gasket - Light, Base, Black
52003976	Turn, Amber W/Arrow, W/Bulb & Connector (Weldon)
TBB 22056372	Lens - Turn Signal, Amber W/Arrow
TBB 22069365	Bulb - Miniature, #1156, 12-Volt

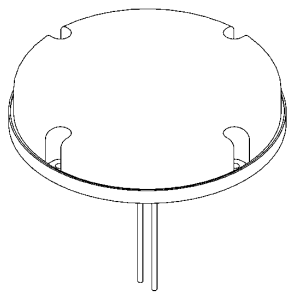
## Turn Signal



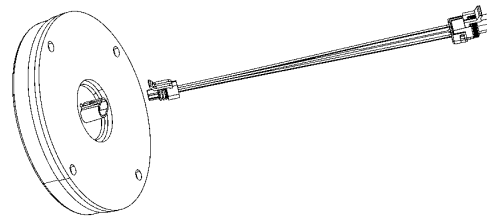
Part No.	Description
52005328	Light 7" Turn Amber W/Ground & Connector (Weldon)



Part No.	Description
52004061	Light, Amber 7" Park/Turn (Weldon)
TBB 2205937	Lens - Amber, Turn Signal
TBB 22069365	Bulb - Miniature, #1156, 12-Volt
TBB 52000443	Gasket - Len, White
TBB 52000444	Gasket - Light, Base, Black



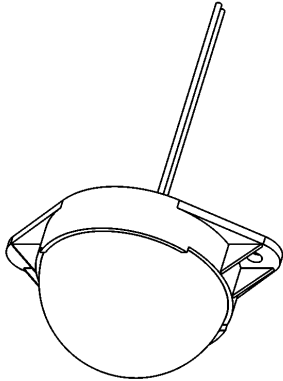
Part No.	Description
52006066	Light - Directional, L.E.D. Amber 7" (Weldon)



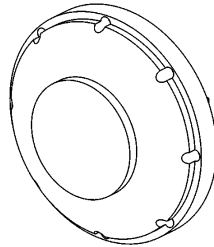
Part No.	Description
52007323	Light, Amber L.E.D. Assembly, 7" W/Connector (Weldon)
TBB 52007281	Plug Assembly, W/Connector
TBB 52007324	Lamp, Amber, Led 7" Round

# LIGHTS

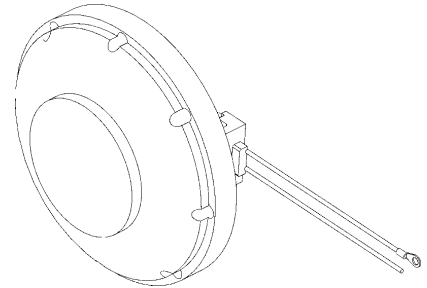
## Turn Signal



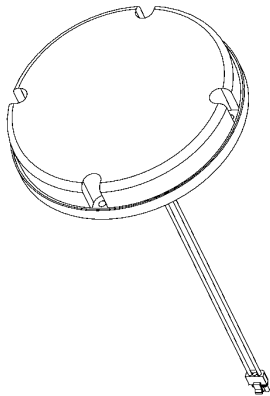
Part No.	Description
52005322	Light - Turn Signal, Amber W/Ground Wire



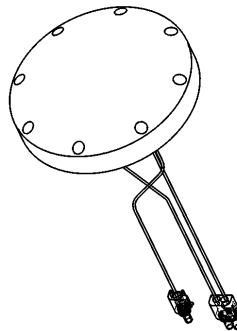
Part No.	Description
52002436	Lamp, 7" Incandescent, Yellow (Truck-Lite)



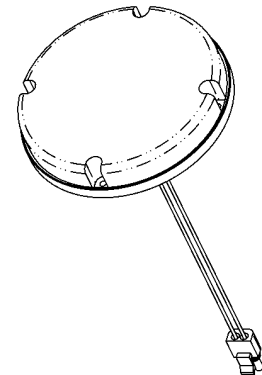
Part No.	Description
52002428	Directional Light Kit, 7" Amber (Truck-Lite)
52002435	Gasket
52002436	Light
52002437	Plug



Part No.	Description
52007435	Light - Turn Signal, 7" Amber L.E.D. HDX (Truck-Lite)



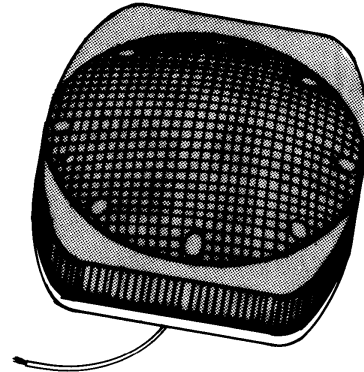
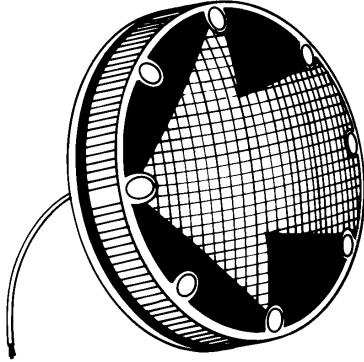
Part No.	Description
52005120	Light - Park/Turn, Amber 7", L.E.D. W/Connectors



Part No.	Description
52005121	Light - Turn, Amber 7", Flat Back W/Connector

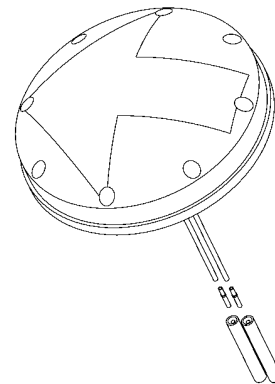
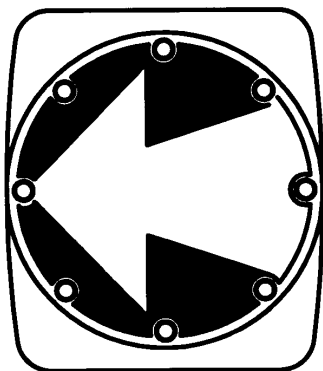


## Turn Signal



Part No.	Description
52001836 22069365	Turn Signal Assembly, Amber Arrow (KD 744) Bulb - Miniature, #1156, 12-Volt
52001835 22069365	Turn Signal Assembly, Red Arrow (KD 744) Bulb - Miniature, #1156, 12-Volt
22021372 22056372 22069365	Turn Signal Amber Arrow (Weldon 1000) Lens - Turn Signal, Amber W/Arrow Weldon Bulb - Miniature, #1156, 12-Volt
22020372 22057372 22069365	Turn Signal Red Arrow (Weldon 1000) Lens - Turn Signal, Red W/Arrow Weldon Bulb - Miniature, #1156, 12-Volt

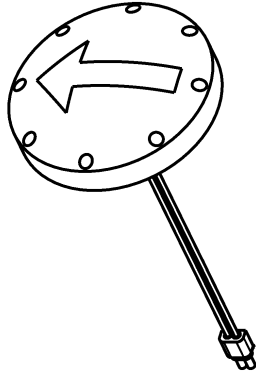
Part No.	Description
52000154	Light - Turn Signal, 7" x 8", Amber, Single Contact (Weldon 2010)
52000199 22069365	Lens - Amber, Turn Signal (Weldon 2010) Bulb - Miniature, #1156, 12-Volt 7" x 8" Double Contact Light Assembly, Red Lens (WTE 2010 1120 10)
52000158	Light - Turn Signal, 7" x 8", Amber, Double Contact (Weldon 2010)
52000199 22009367	Lens - Amber, Turn Signal (Weldon 2010) Bulb - Miniature, Double Contact, #1157, 12-Volt 7" x 8" Double Contact Light Assembly, Red Lens (WTE 2010 1120 10)
52000157	Light - Turn Signal, W/Arrow, Amber, 7" x 8", Single Contact (Weldon 2010)
52000200 22069365 85520104 85520105	Lens - Amber, Turn Signal, W/Arrow Bulb - Miniature, #1156, 12-Volt Pad - Mounting Gasket - Lens



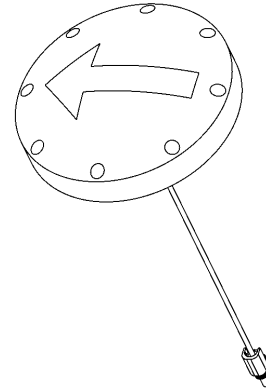
Part No.	Description
52001445	Light - Turn Signal, 7" x 8" Vertical, Amber, W/Arrow (Weldon 2005)
85520103	Lens - Amber, W/Arrow (Weldon 2005)
85520104	Pad - Mounting
85520105	Gasket - Lens

Part No.	Description
52004667	Light, Amber 7" Turn, W/Arrow (Weldon)

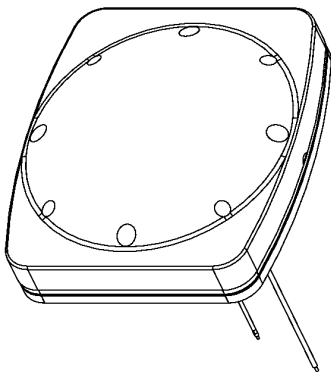
## Turn Signal



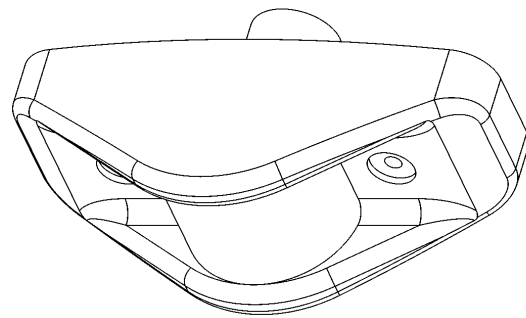
Part No.	Description
52004654	Light, Amber 7" Turn, W/Arrow (Weldon)
TBB 22056372	Lens -Turn Signal, Amber W/Arrow
TBB 22069365	Bulb - Miniature, #1156, 12-Volt
TBB 52000444	Gasket -Light, Base, Black



Part No.	Description
52004029	Light, Turn Signal, Red Arrow Lens W/Bulb And Connector (Weldon)
TBB 22056372	Lens -Turn Signal, Amber W/Arrow
TBB 22069365	Bulb - Miniature, #1156, 12-Volt
TBB 52000444	Gasket -Light, Base, Black

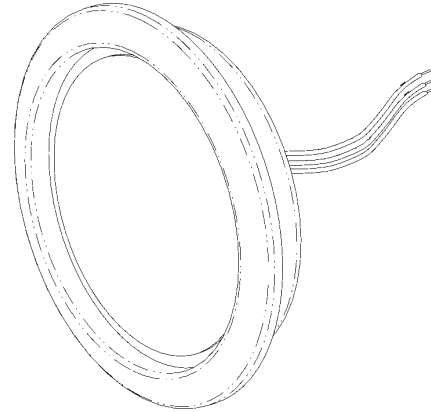
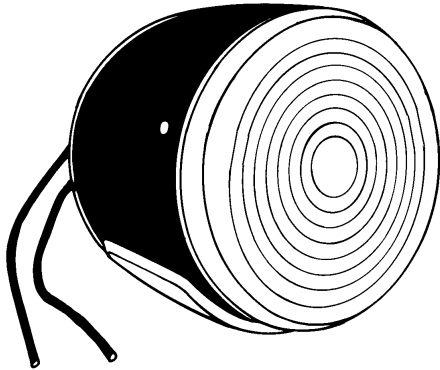


Part No.	Description
52005323	Light Turn Signal 7" X 8" Amber W/Ground (Weldon)



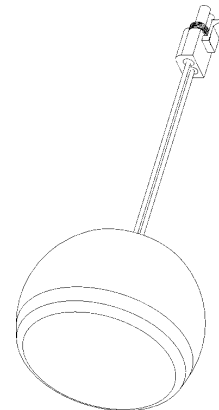
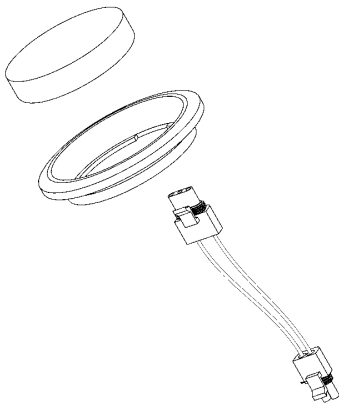
Part No.	Description
52004159	Light, Side Turn, Armored

## Stop & Tail



Part No.	Description
22020377	Light - Stop & Tail W/License (Grote 5085)
22008377	Lens - Stop & Tail, Red, 2 Hole (Grote 5085)
85520086	Lens - Stop & Tail, Red, Snap On
22022373	Lens - Stop & Tail, Red, 3 Hole (Grote 5085)
22009367	Bulb - Double Contact, #1157, 12-Volt
52004669	Light, Stop/Tail/License, 4", 2 Wire NonTerminated (Grote) <b>Note - Will replace 80520336</b>

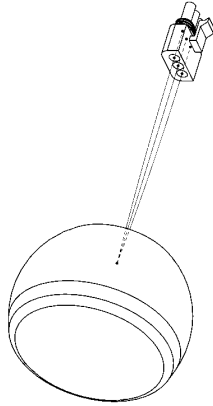
Part No.	Description
52004167	Light, Stop/Tail, 4" L.E.D. (Truck-Lite)
52002458	Rubber Mounting Grommet
52004510	Lamp
52004512	Wire Harness
52002843	Light - Stop/Tail Kit, 4" Dia. L.E.D. (FLA)



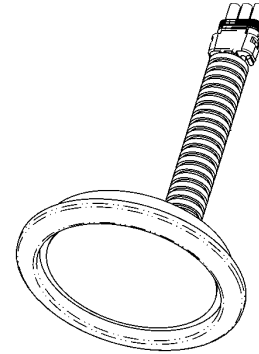
Part No.	Description
52004504	Light Asm., Stop\Tail
52002458	Rubber Mounting Grommet
52004510	Lamp
52004511	Harness, Pigtail

Part No.	Description
52004030	Light - Stop/Tail, W/License, W/Connector (Grote)
TBB 22009367	Bulb - Double Contact, # 1157, 12- Volt
TBB 85520086	Lens - Stop & Tail, Red, Snap- On

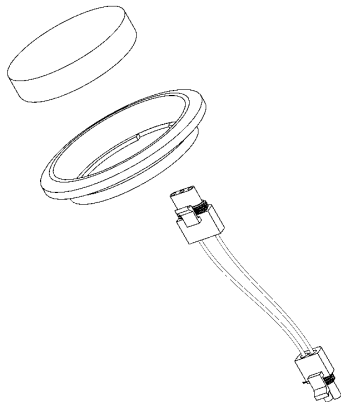
## Stop & Tail



Part No.	Description
52005833	Light - Stop/Tail/License, Red 4 Inch



Part No.	Description
52007346	Stop/Tail Light Assembly, 4" Red, L.E.D. W/Connector & Loom (Truck-Lite)
52002458	Grommet
52007356	Harness
52004510	Lamp

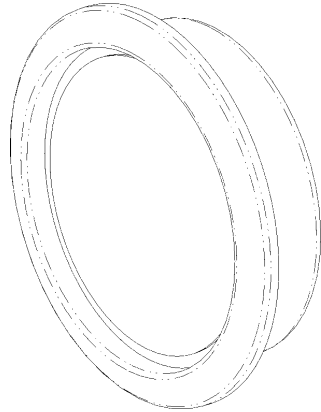


Part No.	Description
52004504	Light Assembly, Stop/Tail, Includes Grommet Light & Pigtail (Truck-Lite)
52002458	Grommet, Mounting
52004510	Light - Stop/Tail Red 4 Inch
52004511	Harness, Pigtail

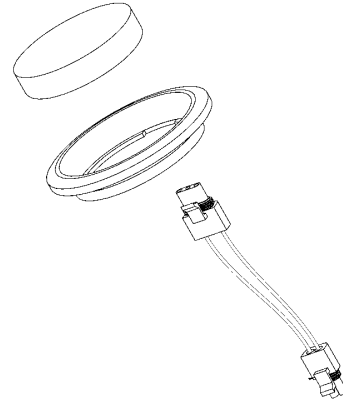
### NO GRAPHIC AVAILABLE

Part No.	Description
52001364	Kit - Light, Stop, Turn & Tail (Truck-Lite)
52001366	Light - Stop, Turn & Tail, Red
52001367	Grommet - Light
52001890	Plug - Light

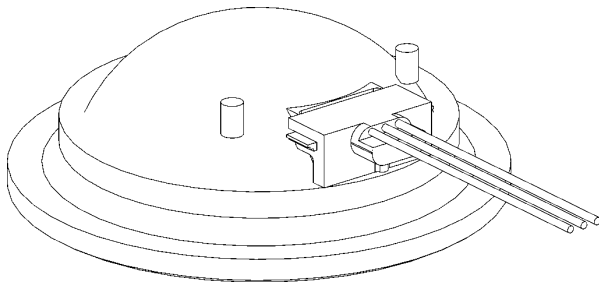
## Stop & Tail



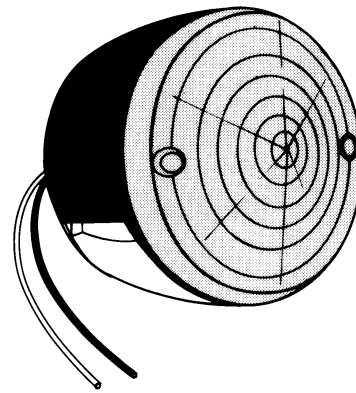
Part No.	Description
52003494	Light, 4" Red L.E.D., S/T/T/



Part No.	Description
52005134	Light Asm., 4" Sealed Stop/Turn/Tail
52002458	Grommet, Mounting
52002906	Lamp
52004515	Harness, Pigtail

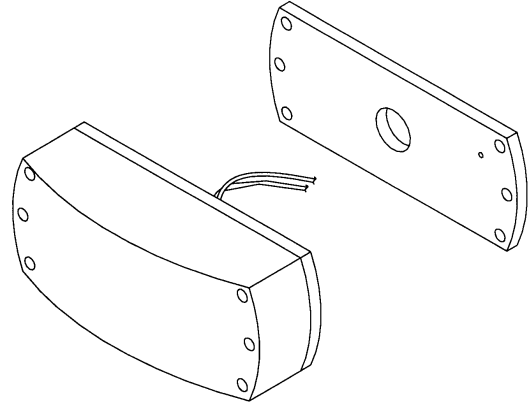


Part No.	Description
52002910	Light Asm., 4 Inch Sealed Stop/Turn/Tail
52002458	Grommet, Mounting
52002906	Lamp
52002907	Plug



Part No.	Description
52001849	Light - Stop & Tail, W/License Light, Snap On Lens (Dominion)
85520061	Lens - Stop & Tail Light, Snap On (Dominion)
22009367	Bulb - Double Contact, 12-Volt
22041375	Light - Stop & Tail, W/License Light (KD 200)
22043375	Lens - Stop & Tail, Red (KD200)
22009367	Bulb - Double Contact, #1157, 12-Volt
85520161	Screw - 6 - 32 x 5/8"
22042375	Light - Stop & Tail, no License Light (KD 200)
22043375	Lens - Stop & Tail, Red (KD200)
22009367	Bulb - Double Contact, #1157, 12-Volt
85520161	Screw - 6 - 32 x 5/8"
52001684	Light - Stop/Tail, Red Double Contact, (KD)

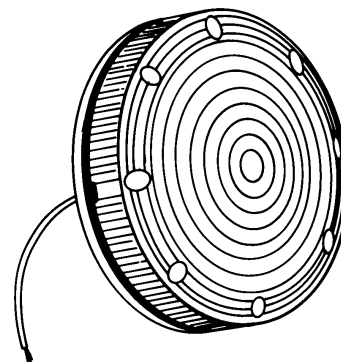
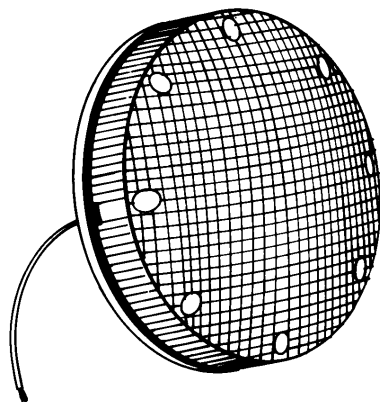
## Stop & Tail



Part No.	Description
52006940	Stop/Tail Light Kit, Red 7" Round W/Gasket
52003493	Stop/Tail Lamp 7" Round
52006941	Gasket

Part No.	Description
52001067	Light - Red Stop, Flat Back (Weldon 2030)
85520128	Lens - Red
22069365	Bulb - Miniature, #1156

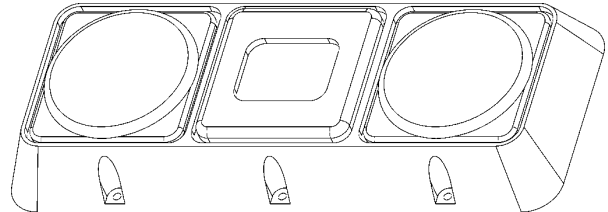
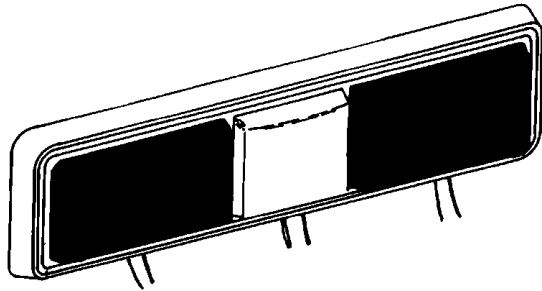
## Stop & Tail



Part No.	Description
22022372	Light - Stop, Red, Complete W/Bulb (Weldon 1010)
22058372	Lens - Stop, Red (Weldon 1010)
22069365	Bulb - Miniature, #1156, 12-Volt
52000444	Gasket - Light, Base, Black
52000443	Gasket - Lens, White
22023372	Light - Stop, Amber, Complete W/Bulb (Weldon 1010)
22059372	Lens - Stop, Amber (Weldon 1010)
22069365	Bulb - Miniature, #1156, 12-Volt
52000444	Gasket - Light, Base, Black
52000443	Gasket - Lens, White
22019379	Light - Stop/Tail, Red Double Contact (Weldon 1010 - 1120)
22058372	Lens - Red, Stop/Tail Light (Weldon 1010 - 1120)
22009367	Bulb - Miniature, #1157, Double Contact
52000444	Gasket - Light, Base, Black
52000443	Gasket - Lens, White
52003975	Light-Brake Light, W/Connector (Weldon #1010-1129-11)
22058372	Lens - Red
22099367	Bulb - Miniature, Double Contact
52003975	Light-Brake Light, W/Connector (Weldon #1010-1129-11)
22058372	Lens - Red
22099367	Bulb - Miniature, Double Contact
52005325	Light, 7" Stop Tail Red W/Ground (Weldon)
52005326	Light, 7" Stop Tail Red W/Ground & Connector (Weldon)
52005327	Light, 7" Stop Tail Amber W/Ground (Weldon)
52004031	Light, Stop, Red Complete W/Bulb & Connector (Weldon)
22009367	Bulb - Miniature, #1157, Double Contact
22058372	Lens - Red, Stop/Tail Light
52000444	Gasket - Light, Base, Black
52005834	Light, Stop, Red, 7 Inch (Weldon)
52006063	Light - Stop/Tail, Red 7", L.E.D. (Weldon)
52007282	Stop/Tail/Turn Assembly, 7" Round, L.E.D. (Weldon)
52007279	Plug Assembly, W/O Connector
52007280	Lamp, Stop/Turn/Tail Assembly, 7"

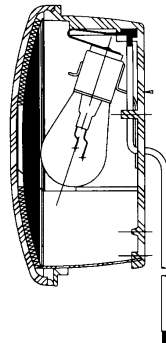
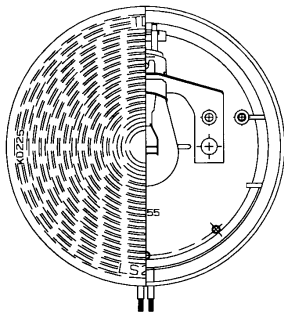
Part No.	Description
22048377	Light - Stop Red Lens (KD 744)
22004378	Lens - Stop Red (KD 744)
22069365	Bulb - Miniature, #1156, 12-Volt (GE)
85520064	Gasket - Lens
85690010	Screw - Lens
85520001	Gasket - Mounting
85520084	Pigtail - Light
22023372	Light, 7" Turn, Amber
22059372	Lens - Stop, Amber
22069365	Bulb - Miniature, #1156, 12-Volt
22022372	Light, 7" Stop, Red
22058372	Lens, Stop, Red (Weldon 1010)
22069365	Bulb - Miniature, #1156, 12-Volt

## Stop, Tail & Back-Up



Part No.	Description
52000216	Light - Stop, Tail, Back-Up & Turn Signal, W/Red Turn Signal Lens (KD 460)
52000219	Lens - Clear, Center, Back Up Light (KD)
52000218	Lens - Red
22069365	Bulb - Miniature, #1156, 12-Volt
22009367	Bulb - Double Contact, #1157, 12-Volt
85520157	Gasket - Lens, Clear
85520156	Gasket - Lens, Amber, Red
52001605	Light - Stop, Tail, Back-Up & Turn Signal, W/Amber Turn Signal Lens
52000219	Lens - Clear, Center, Back-Up Light
52000218	Lens - Red
52000217	Lens - Amber
22069365	Bulb - Miniature, #1156, 12-Volt
22009367	Bulb - Double Contact, #1157, 12-Volt
85520157	Gasket - Lens, Clear
85520156	Gasket - Lens, Amber, Red

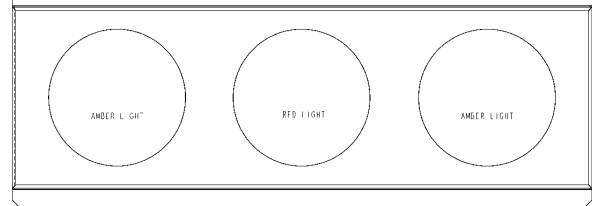
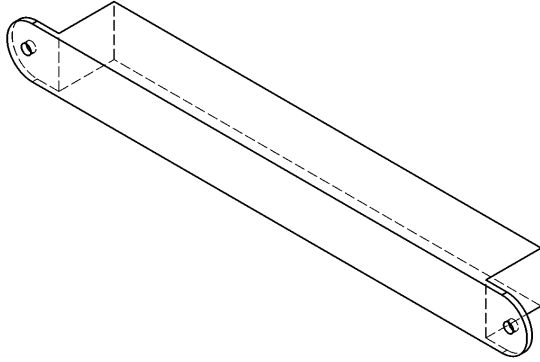
Part No.	Description
52004555	Combination Light, W/Red Turn, Rear Right
52004577	Lens, Light, Red Combination
52004578	Lens, Reverse Light, Combination
52004556	Combination Light, W/Red Turn, Rear Left
52004577	Lens, Light, Red Combination
52004578	Lens, Reverse Light, Combination
52004557	Combination Light, W/Amber Turn, Rear R.S.
52004577	Lens, Light, Red Combination
52004578	Lens, Reverse Light, Combination
52004579	Lens, Light, Amber Combination
52004558	Combination Light, W/Amber Turn, Rear L.S.
52004577	Lens, Light, Red Combination
52004578	Lens, Reverse Light, Combination
52004579	Lens, Light, Amber Combination



Part No.	Description
52002058	Light - Stop, Tail & Turn, W/License Lens, Low Profile (KD 225)
85520114	Lens - Red, #2256-061
85520115	Lens - Clear, License #46156-031
22009367	Bulb - Double Contact, 12-Volt, #1157



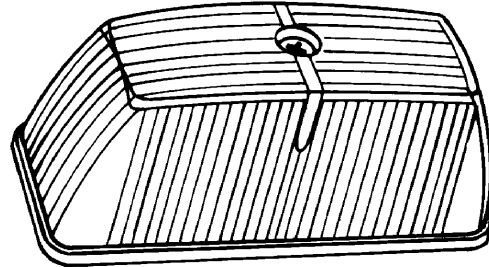
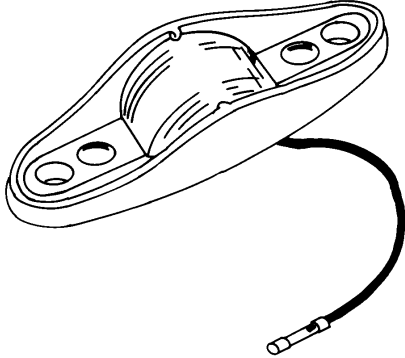
## Stop, Tail & Back-Up



Part No.	Description
52003414	Light - 3rd Brake, W/Bracket L.E.D

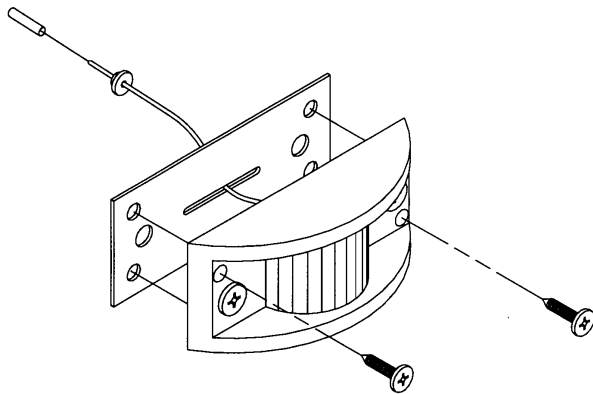
Part No.	Description
65008290	Deceleration Lights Kit

## Marker



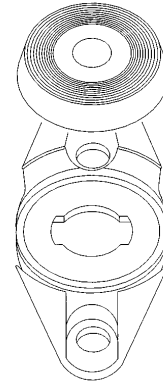
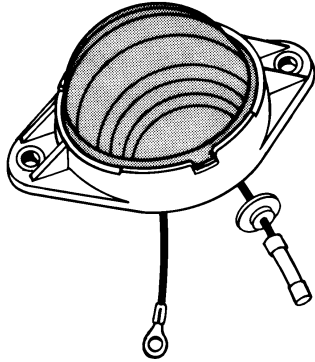
Part No.	Description
22159365	Light - Marker, Amber (Arrow 50)
22077366	Lens - Marker, Amber (Arrow 50)
22067365	Bulb - Miniature, #67, 12-Volt
22160365	Light - Marker, Red (Arrow 50)
22076366	Lens - Marker, Red (Arrow 50)
22067365	Bulb - Miniature, #67, 12-Volt

Part No.	Description
52001785	Light - Marker, Red, No Shield (KD 556)
52001887	Lens - Red, Marker Light (KD 556)
22065365	Bulb - Miniature
29000015	Screw - Lens
52001786	Light - Marker, Red, No Shield (KD 556)
52001888	Lens - Red, Marker Light (KD 556)
22065365	Bulb - Miniature
29000015	Screw - Lens
52001829	Shield - Armored, Marker Light
52001830	Gasket - Armored Shield
22019370	Light - Marker, Red, No Shield
22025370	Lens - Red, Marker Light
52000227	Gasket - Lens, Marker Light
52000811	Bulb - 12-Volt, Marker Light
52000228	Gasket - Between Body & Base
29000015	Screw - Lens
22021370	Shield - Armored, Marker Light
22022370	Gasket - Between Shield & Marker Light



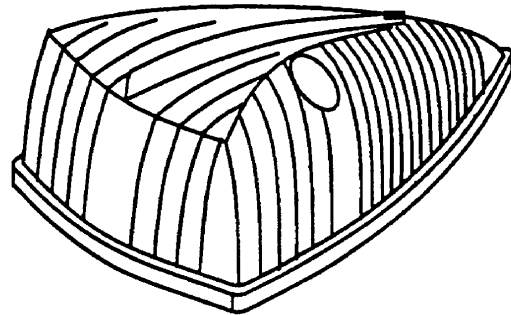
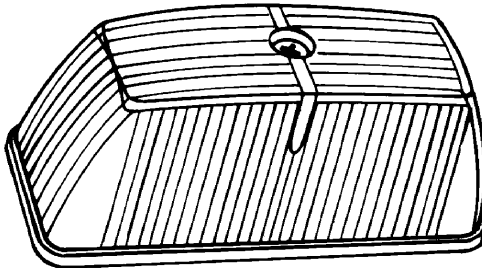
Part No.	Description
52002290	Light - Marker, Amber Vanguard II (Peterson)
85520118	Lens - Marker Light, Amber (Peterson)
22010367	Bulb - Miniature
52002289	Light - Marker, Red Vanguard II (Peterson)
85520119	Lens - Marker Light, Red (Peterson)
22010367	Bulb - Miniature
52004621	Light Assembly, Marker, Armored Red
52004617	Light
29990226	Grommet
52004622	Light Assembly, Marker, Armored Red
52004618	Light
29990226	Grommet
52002331	Light - Marker, Amber, Vandguard

## Marker



Part No.	Description
22020378	Light - Side Directional, Amber (Truck-Lite)
52000085	Lens - Amber, Side Marker (Truck-Lite)
52000198	Lens - Red, Side Marker (Truck-Lite)
52000086	Bulb - Side Marker
85520005	Gasket - Mounting
52000280	Light - Dome, Clear, 12-Volt, 12, CP #0501 (Trucklite)
52000362	Lens - Clear, Engine Compartment (Truck-Lite)
52000086	Bulb - Side Marker
85520005	Gasket - Mounting

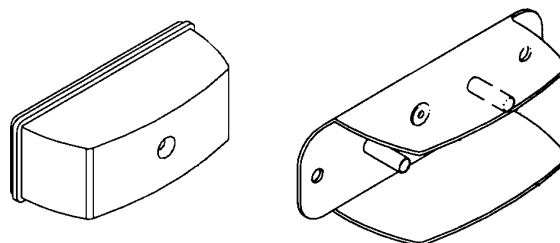
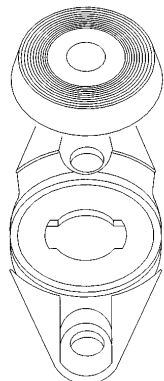
Part No.	Description
52001360	Light - Marker, Clearance, Amber (Truck-Lite)
52001361	Light - Marker, Clearance, Red (Truck-Lite)
52001359	Kit - Mounting Base, Cam On (Truck-Lite)



Part No.	Description
22020370	Light - Marker, Amber, No Shield (Weldon 5000)
22026370	Lens - Amber, Marker Light
52000227	Gasket - Lens, Marker Light
52000811	Bulb - 12-Volt, Marker Light
52000228	Gasket - Between Body &
29000015	Screw - Lens

Part No.	Description
52000486	Light - Marker, Red (Weldon 5050)
52000487	Light - Marker, Amber (Weldon 5050)
52003977	Light - Marker, Red W/Connector (Weldon 5050-1409)
52003978	Light - Marker, Amber W/Connector (Weldon 5050-1409-22)
90000017	Lens - Red
90000018	Lens - Amber
52001840	Bulb
52001911	Gasket - Lens
52001912	Screws - Lens
52000560	Gasket - Armor Shield
85520154	Gasket
52000559	Shield
80520358	Light - Marker, Red W/Ground
80520359	Light - Marker, Amber W/Ground

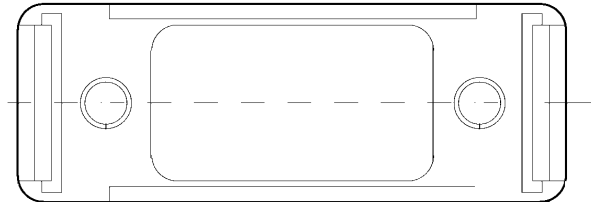
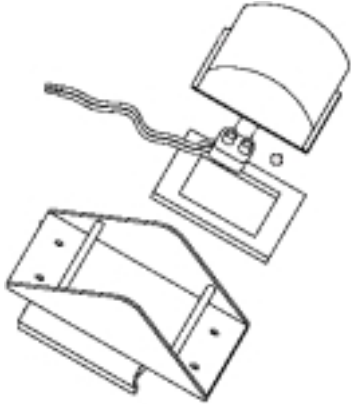
## Marker



Part No.	Description
52004041	Light - Marker/Turn, Red (Grote)
52004042	Light - Marker/Turn, Amber (Grote)

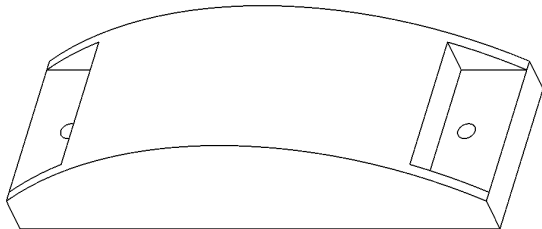
Part No.	Description
52001937	Light - Marker, Red, Two Bulb, W/Shield (Weldon 5100)
22021370	Shield - Armored
22025370	Lens - Red, Marker Light (Weldon 5100)
22065365	Bulb - Marker Light, 12-Volt
52001942	Base, W/Shield, 2 Bulb Marker Light
52001941	Gasket, Between Body & Base
52001943	Gasket, Between Base & Lens
52001938	Light - Marker, Amber, Two Bulb, W/Shield (Weldon 5100)
22021370	Shield - Armored
22026370	Lens - Amber, Marker Light (Weldon 5100)
22065365	Bulb - Marker Light, 12-Volt
52001942	Base, W/Shield, 2 Bulb Marker Light
52001941	Gasket, Between Body & Base
52001943	Gasket, Between Base & Lens
52004058	Light, Marker (Red), Complete W/Connector Kentucky (Weldon)
22021370	Shield - Armored, Marker Light
22022370	Gasket - Armored Shield
22025370	Lens - Red, Marker Light
22026370	Lens - Amber, Marker Light
29000015	Screw - Lens, Marker Light
52000227	Gasket - Lens, Marker Light
52000228	Gasket - Mounting, Marker Light
52000811	Bulb - 12 Volt, Wedge Base, # 168

## Marker



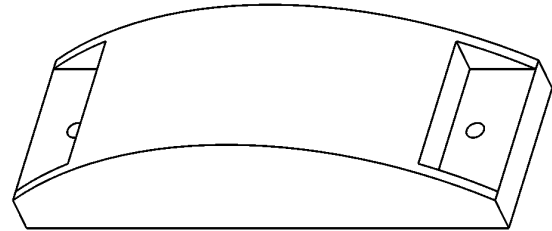
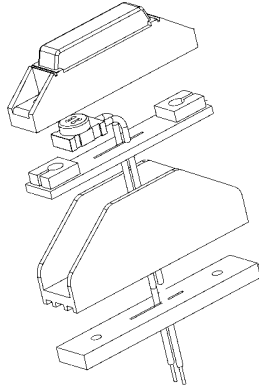
Part No.	Description
52002450	Light - Clearance/Marker, Amber #12 Series, Florida (Truck-Lite)
52002455	Light - Clearance/Marker, Red #12 Series, Florida (Truck-Lite)
52002451	Lamp Amber
52002456	Lamp Red
52002446	Plug
52002452	Lamp Gasket
52002453	Mount Gasket
52002454	Mount

Part No.	Description
52003706	Kit - Light, Marker/Clearance, Amber (Truck-Lite)
52003707	Kit - Light, Marker/Clearance, Red (Truck-Lite)
22011379	Bushing - Snap, 5/8" Hole
22023365	Connector - Cup, 6-10 AWG, NC-1610
22036365	Wire - Black, 14 Gauge, Gxl, Crosslink
29990226	Grommet - 5/16"
52002679	Bracket - Mounting Base Adapter Only (Chrome)
52003704	Gasket - Light, Marker
52003705	Brush Guard, Marker Light
69003091	Screw - Tapping, #10x 5/8", Truss Head
TL 19200Y	Lamp Amber
TL 19200R	Lamp Red
TL 19728	Base
TL 94729	Plug



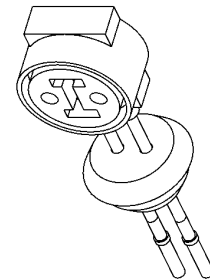
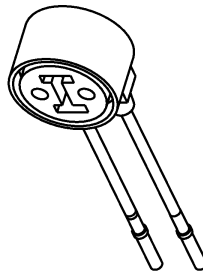
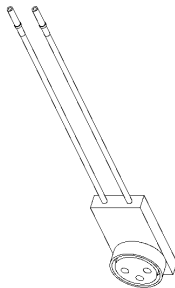
Part No.	Description
52004046	Light - Marker (Red) Incandescent Field (Grote)
52004046	Light - Marker (Yellow) Incandescent Field (Grote)
GRO #193	Bulb
GRO #46802	Lens (Red)
GRO #92163	Lens (Yellow)
52004047	Light - Marker, Incandescent Field
52004053	Pigtail, TBII Marker Light, Complete W/Connectors
69003159	Screw - Security, #10 x 1" Pan Head Spanner
69005048	Bushing - Snap, 1/2" I.D., Black Nylon

## Marker



Part No.	Description
52005424	Lamp, Marker Red Rectangular Assembly, L.E.D. W/Armored Mount (Truck-Lite)
52005425	Lamp, Marker Yellow Rectangular Assembly, L.E.D. W/Armored Mount (Truck-Lite)
52002698	Lamp, Red
52002699	Lamp, Amber
52003995	Gasket, Sealing
52002697	Bracket, Mounting
52005426	Gasket, Mounting
52005427	Plug - L.E.D.
52006026	Lamp, Marker Red Rectangular Assembly, L.E.D. Armored (Truck-Lite)
52006027	Lamp, Marker Yellow Rectangular Assembly, L.E.D. Armored (Truck-Lite)
52007351	Lamp, Red
52007352	Lamp, Amber
52003995	Gasket, Sealing
52002697	Bracket, Mounting
52005426	Gasket, Mounting
52005427	Plug - L.E.D.

Part No.	Description
52004048	Light - Marker L.E.D., Red W/Black Base (Grote)
52004049	Light - Marker L.E.D., Yellow W/Black Base (Grote)
52004050	Light - Marker L.E.D., Red W/Black Base (Corner Mount) (Grote)
520040502	Light - Marker L.E.D., Yellow W/Black Base (Corner Mount) (Grote)

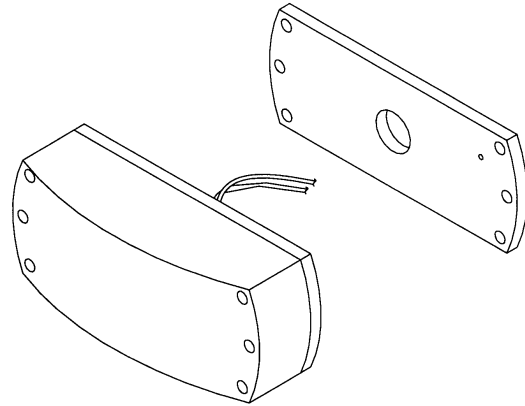
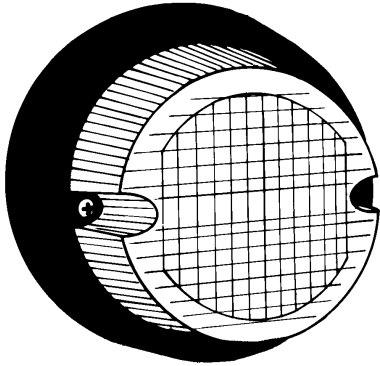


Part No.	Description
52004053	Harness-Pigtail, TBII Marker Light, Complete W/Connectors (Effective March 2000) (Grote)

Part No.	Description
52004053	Harness-Pigtail, TBII Marker Light, Complete W/Connectors (Effective February 2001) (Grote)

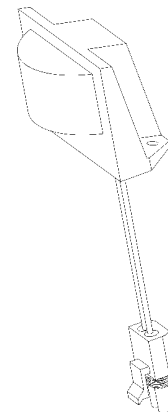
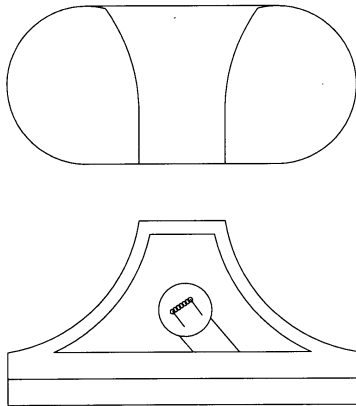
Part No.	Description
52004053	Harness-Pigtail, TBII Marker Light (Grote)

## Back-up



Part No.	Description
52000716	Light - Back-Up, Assembly, W/Bulb
52002037	Light - Back-Up, Clear, 3 7/8" Dia (K.D. Lamp)
22023365	Cup - Connector, 6-10, AWG, NC-1610, Insulated
22069365	Bulb - Miniature, 12-Volt
85520130	Lens - White
22005373	Light - Back-Up, Clear, Less Bulb (Grote 458)
22015373	Lens - White, Back-Up Light
22069365	Bulb - Miniature
22045373	Ring - Retainer, Back-Up Light
85520090	Gasket - Lens

Part No.	Description
52002874	Light - Clear, 2 1/2" x 6" (Weldon 7100-30)
85520197	Lens - Clear
22069365	Bulb #1156
85520198	Gasket - Lens to Base, White
85520199	Gasket - Light to Body, Black
52001067	Lamp - Red Stop, Flat Back
52000565	Bulb #1156
52003982	Light - Back-Up, W/Connector (Weldon)
22069365	Bulb - Miniature, 12-Volt
85520197	Lens - Clear
85520198	Gasket - Lens to Base, White
85520199	Gasket - Light to Body, Black
52004091	Light, Red Tail
22069365	Bulb - Miniature, #1156
85520128	Lens - Red

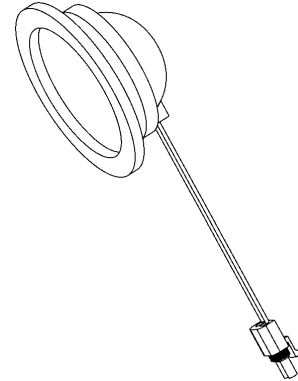
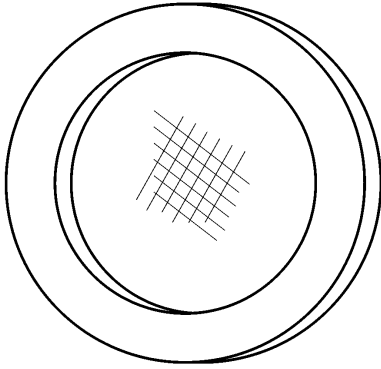


Part No.	Description
52000334	Light - License Plate
22067365	Bulb #67

Part No.	Description
52004525	Light, License Plate, Kit
52001378	Lamp
52002447	Mounting Gasket
52002445	License lamp Mounting Bracket
52004526	Marker/Clearance Plug

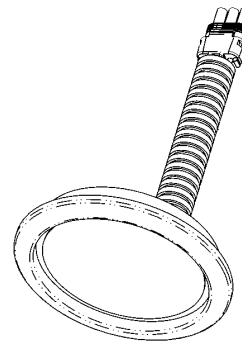
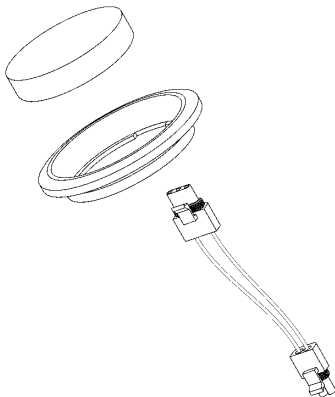
# LIGHTS

## Back-up



Part No.	Description
52002448	Back-Up Light, Sealed, 4" Dia., #40 Series (Truck-Lite)
52001370	Plug
52002457	Lamp
52002458	Grommet

Part No.	Description
52004529	Light - Back-Up, Kit, 4" Sealed
52002457	4" Sealed Back-Up Light
52004530	Right Angle Stop/Turn Plug
5200458	Mounting Grommet
52001365	Kit - Light, Back-Up (Truck-Lite)
52001367	Grommet - Light
52001369	Light- Back - Up
52001370	Plug - Light

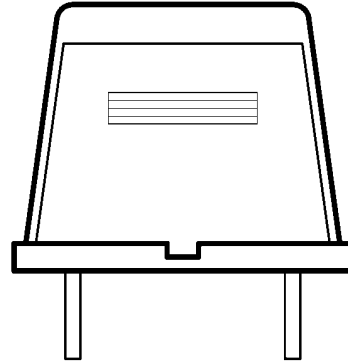
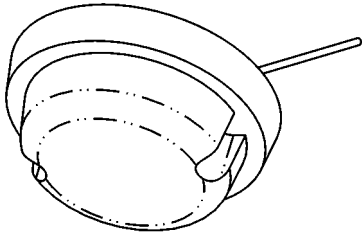


Part No.	Description
52005177	Light Assembly, Back Up, Includes Grommet, Light & Pigtail (Truck-Lite)
52001365	Kit - Light, Back-Up (Truck-Lite)
52005836	Light Assembly, Clear L.E.D. Backup, 4 Inch
52002458	Grommet - 4 Inch Sealed
52005847	Pigtail Harness
52005854	Light , LED
52006051	Light Assembly, Backup, 4" L.E.D.

Part No.	Description
52007347	Light Assembly, Backup 4" L.E.D., W/Connector & Loom (Truck-Lite)

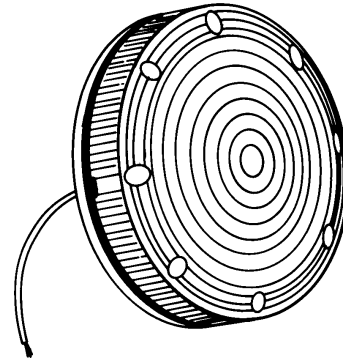


## Back-up



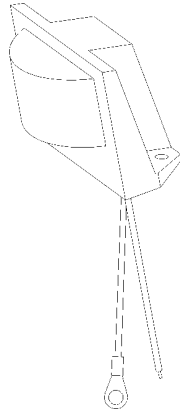
Part No.	Description
52007135	Light, Backup, Clear White, Surface Mount, 3 7/8" (Weldon)
52007136	Light, Backup, Clear White, Surface Mount, 3 7/8" W/Connector (Weldon)
52004040	Light - Back Up, Clear 3 7/8" Dia (Grote)
22015373	Lens- White
22045373	Ring- Retainer
22069365	Bulb - Miniature, 12 Volt
85520090	Gasket- Lens
52004676	Light, Assembly Reverse, 2 Wire Deutsch Socket Terminated (Grote)
52003595	Connector, Jiffy Splice, Union Sleeve
52003596	Connector, IPIN Socket, Deu. 16-14 AWG
52004668	Reverse Light, Clear
52005835	Light, Backup, 3 7/8 Inch, W/2 Pin Packard Connector (Grote)

Part No.	Description
52002152	Light - License, Clear, Chrome (Peterson)

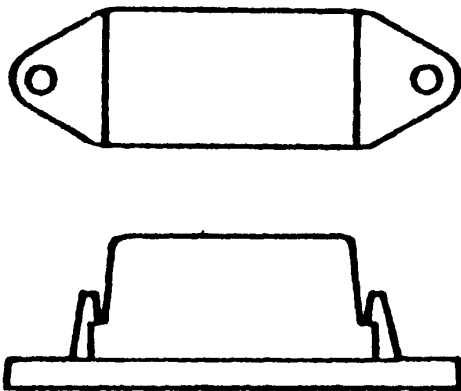


Part No.	Description
52001828	Light - Back Up, Clear (KD 744)
85520073	Lens - Clear, Moonstone, Back Up (KD 744)
22069365	Bulb - Miniature, #1156, 12-Volt
85520064	Gasket - Lens
85690010	Screw - Lens
85520001	Gasket - Mounting
85520084	Pigtail - Light
52000137	Light, 7" Reverse, Clear
22048372	Lens - Back - Up, Clear (Weldon 1010)
22069365	Bulb - Miniature, #1156, 12-Volt
52004034	Light - Back-Up, Complete W/Bulb & Connector
52004039	Light - Back-Up, Complete W/Bulb & Connector

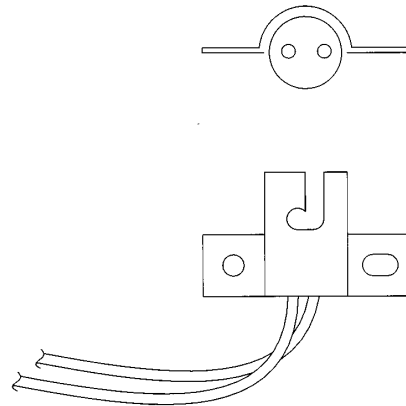
## Back-up



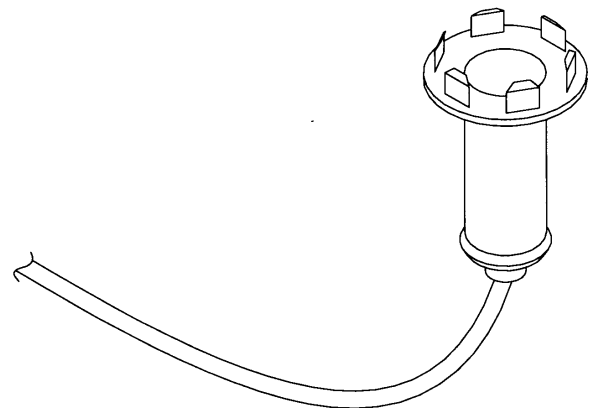
Part No.	Description
52005387	Light, License Plate, Kit #15 Series
52001378	Lamp
52002445	Gasket
52002447	Bracket
52002444	License Plate Light Kit, #15 Series (Truck-Lite)
52001378	Light - License Plate
52002447	Bracket - Mounting, Gray
52005166	Light - License Plate, Kit
52006062	Light Assembly, License, #15 Series, L.E.D.
52007348	Light Assembly, License, #15 Series, L.E.D.
52002445	Gasket TL #97032
52002447	Gray Bracket TL #15729
52007358	LED 12V Lamp TL #15205



Part No.	Description
52001475	Light - Side Electrical Compartment (Truck-Lite)
52006271	Interior Light W/Switch
85520123	Lens - Clear (Truck-Lite)
22065365	Bulb #1895

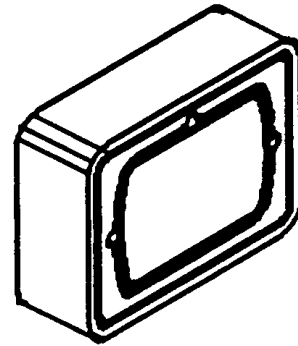
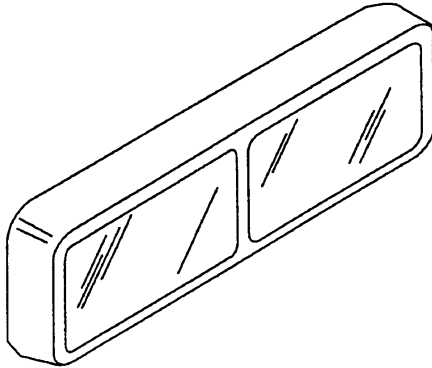


Part No.	Description
65000975	Socket - Pigtail, Two Wire
22102368	Socket - Single Contact, W/16" Long Pigtail



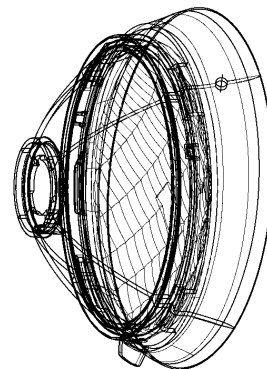
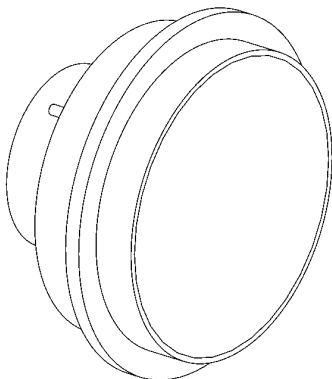
Part No.	Description
52001475	Light - Side Electrical Compartment (Truck-Lite)
85520123	Lens - Clear (Truck-Lite)
22065365	Bulb #1895
52002990	Light-Round Indicator, L.E.D., Red ,14V Fits 1/2" Hole

## Headlight



Part No.	Description
52001884	Headlight - Dual, Left Side, Assembly 165 MM (Advanced Technology)
85520003	Bezel - Chrome (Advanced Technology)
52001876	Headlamp - Sealed Beam, "Hi Beam"
52001875	Headlamp - Sealed Beam, "Hi/Low Beam"
52001885	Headlight - Dual, Right Side, Assembly 165 MM (Advanced Technology)
85520003	Bezel - Chrome (Advanced Technology)
52001876	Headlamp - Sealed Beam, "Hi Beam"
52001875	Headlamp - Sealed Beam, "Hi/Low Beam"
52000134	Headlight - Dual, Left Side, Assembly 165 MM
85520002	Bezel - Chrome
52001876	Headlamp - Sealed Beam, "High Beam"
52001875	Headlamp - Sealed Beam, "High Beam"
52000135	Headlight - Dual, Right Side Assembly 165 MM
85520002	Bezel - Chrome
52001876	Headlamp - Sealed Beam, "High Beam"
52001875	Headlamp - Sealed Beam, "High Beam"

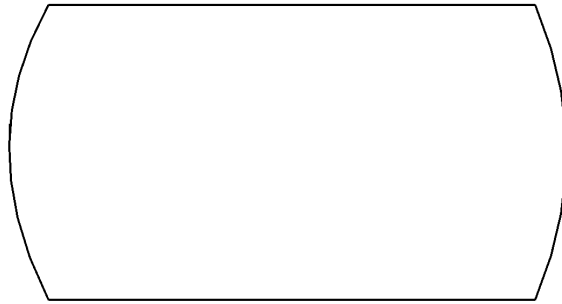
Part No.	Description
52001886	Headlight - Single, 200 MM Rectangular (Advanced Technology)
52000147	Bezel - Chrome (Advanced Technology)
52001891	Headlamp - Sealed Beam, "Hi/Low Beam" (GE)
85520127	Base - Housing (Advanced Technology)
52004793	Headlight Assembly, Single, Rectangular Halogen Headlamp, Chrome, W/O Bezel
52001891	Headlamp - Sealed Beam, "Hi/Lo Beam" (GE)
85520127	Base - Housing
52004726	Headlight Bezel, Single, Rectangular - Chrome



Part No.	Description
53003373	Headlight Assembly, L.H.
53003707	Headlight Assembly, R.H.

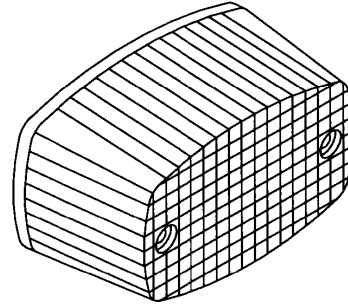
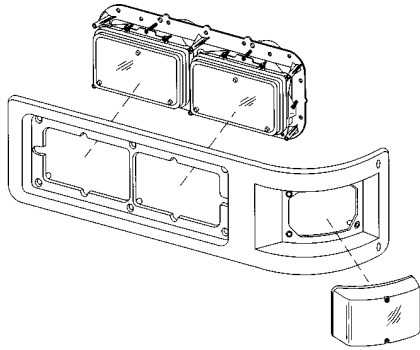
Part No.	Description
53003372	Light - Daytime Running
52004631	Bulb

## Headlight



Part No.	Description
52002846	Light - Fog, Amber, ABS Body W/Hardware
85520182	Lens - Amber
85520183	Bulb - Fog Light, 55 Watt
52000064	Light - Fog, Sealed Beam

## Headlight/Parking

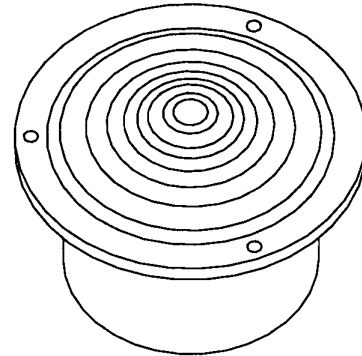
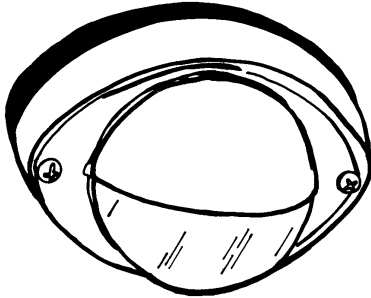


Part No.	Description
52002358	Headlight - Dual, Left Side, Assembly W/Bezel
52002359	Headlight - Dual, Right Side, Assembly W/Bezel
52001876	Headlamp - Sealed Beam, "Hi Beam"
52001875	Headlamp - Sealed Beam, "Hi/Low Beam"
27155213	Screw - Machine, 10-32 x 1" Phillips Truss Head
27131183	Washer - Lock, #10 Zinc
69004149	Nut - Retainer, Self Anchoring, J Type, 10-32
69003056	Screw - Tapping, #8 x 1 1/2" Pan Head, Steel Zinc
53002644	Bezel - Headlight
27162703	Screw - Tapping, #10 x 1 1/4", Phillips Flat Head, Type B, Zinc
52002347	Light - Turn Indicator, Amber, Corner Mount W/Bulb
53002680	Headlight Support
85520151	Lens - Amber, Turn Indicator, Corner Mount

Part No.	Description
52002153	Light - Parking, Amber (Peterson)
85520121	Lens - Parking Light
22067365	Bulb - Miniature
52002152	Light - License Clear
85520122	Lens - Clear

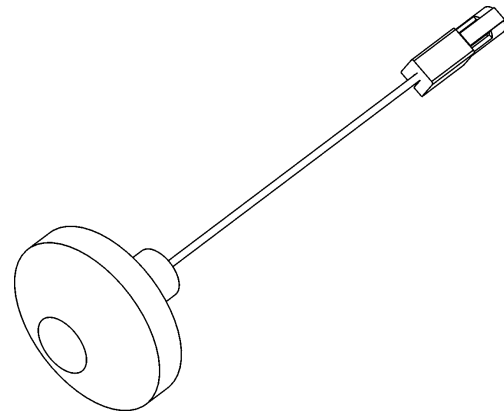
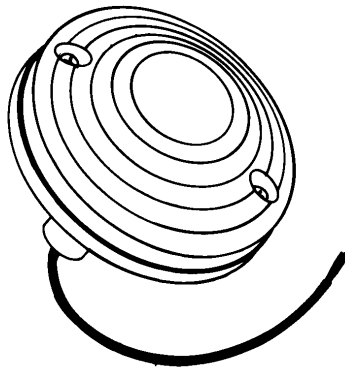
# LIGHTS

## Step



Part No.	Description
52000118	Light - Stepwell, Shielded (KD 856)
52001279	Lens - Clear, Step (KD 856)
85520049	Bulb - Miniature, 12-Volt (P/N 1141)
52000383	Light - Patio (KD 856)
85520062	Lens - Clear (KD 856)
22069365	Bulb - Miniature, #1156, 12-Volt
52001874	Light - Exterior Door, Hooded, W/50 CP (Peterson)
22069365	Bulb - Miniature, #1156, 12 Volt
27161906	Screw - Tapping, #10 x 7/8", Phillips Pan Head
85520070	Lens - Clear, Double Optic
52005447	Light - Exterior Door, Hooded 50 CP, W/Connector (Delphi)
52007316	Light - Stepwell/ADA 21CP, W/Connector (Delphi)
52004037	Light - Stepwell, Clear, 21 CP (Weldon)
52001279	Lens - Clear, Step (KD 856)
85520049	Bulb - Miniature, #1156, 12-Volt

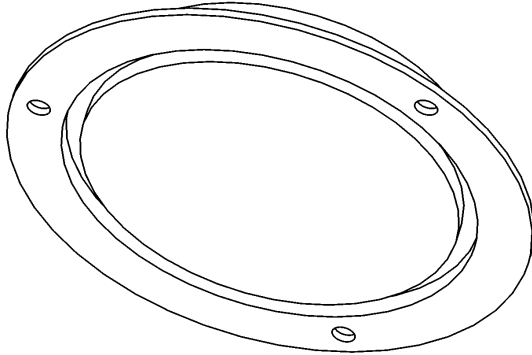
Part No.	Description
52002151	Light - Stepwell Clear, Stainless Steel Housing (Peterson)
85520120	Lens - Clear, Stepwell, 4 1/4", Recessed
22069365	Bulb - Miniature 1156 12V SC 32 CP



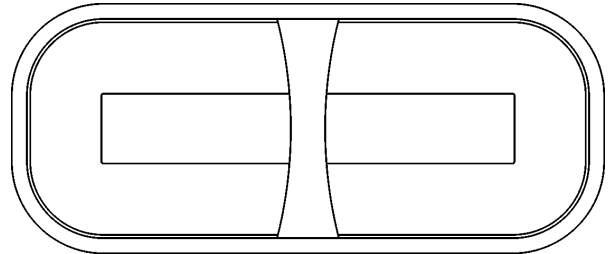
Part No.	Description
22002374	Light - Stepwell, W/89 Bulb (Weldon 8025)
22003374	Lens - Clear, Stepwell (Weldon 8025)
85520048	Bulb - Miniature, 12-Volt
27161906	Screw - Lens & Mounting
22025374	Light - Red (Weldon 8026)
22026374	Lens - Red (Weldon 8026)
85520048	Bulb
27161906	Screw - Lens & Mounting

Part No.	Description
52007171	Stepwell Light W/Connector
52004527	Light - Emergency Door, Red W/Bulb & Connector (Weldon)
52004035	Light - Stepwell Complete, W/Bulb & Connector
22003374	Lens - Clear, Stepwell
27161906	Screw - Lens & Mounting
85520048	Bulb - Miniature, 12-Volt

## Step



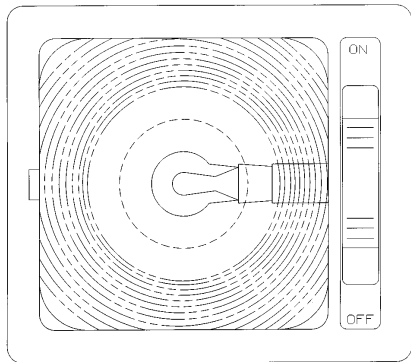
Part No.	Description
52006203	Interior Light, Double Bulb, (Ada), #001-902xns
52007476	Light - Dome, L.E.D. 4" Round, White (Truck-Lite)



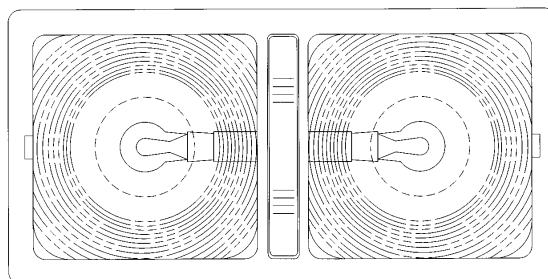
Part No.	Description
52006203	Interior Light, Double Bulb, (Ada), #001-902xns

# LIGHTS

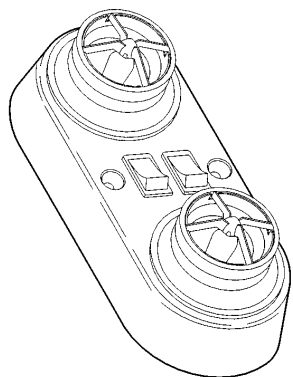
## Dome



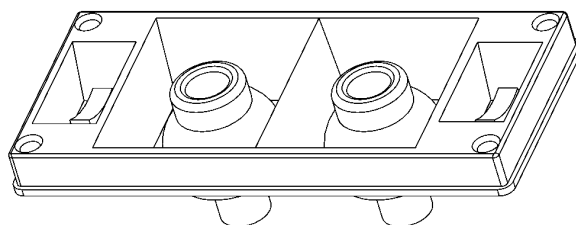
Part No.	Description
52002597	Light - Interior Driver's Dome
85520169	Bulb (C921)
85520168	Lens



Part No.	Description
52002578	Light - Interior Double, Overhead Dome Step Light
85520169	Bulb (C921)
85520168	Lens



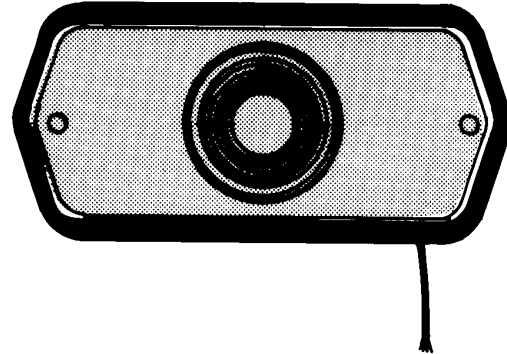
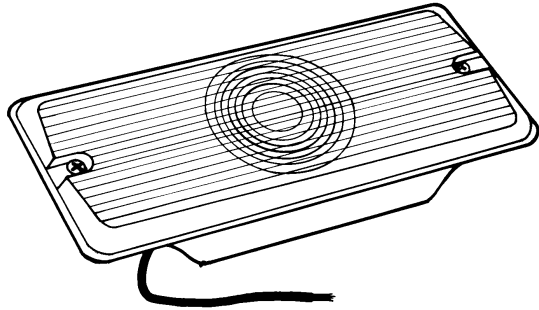
Part No.	Description
52000253	Light - Reading, Double
52000254	Base - Reading Light
29940034	Nut - Acorn
29920032	Screw - #10 x 1 1/4"
22010379	Bushing - Snap
29006365	Rivet
22200365	Connector - Cup
22050377	Terminal -Ring
52000811	Bulb #168
85650205	Ring



Part No.	Description
52002736	Light - Reading, Console 2 Lights W/Switch Bulb - BA9-12V-T4W

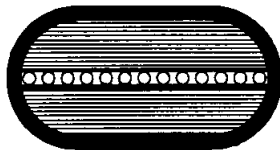


## Dome/Door

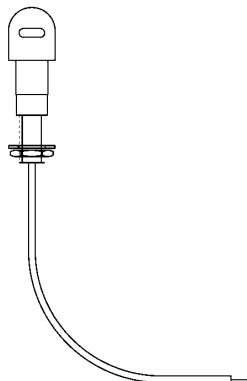
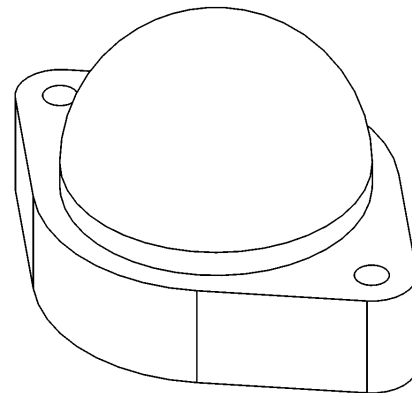


Part No.	Description
85520092	Light - Dome, Assembly (Weldon 8005)
22020374	Base - Dome Light, W/Bulb (Weldon 8005)
22021374	Lens - Clear, Dome Light (Weldon 8004)
22068365	Bulb - Miniature, 12-Volt

Part No.	Description
22036375	Light - Dome, Deluxe Chrome (Weldon 8010)
52000016	Lens - Dome Light, Deluxe(Weldon 8010)
22068365	Bulb - Miniature, 12-Volt
52007210	Light - Dome, Driver's, Deluxe Chrome Plated, Flush Mount (Weldon)
52004036	Light - Dome Deluxe Chrome W/93 Bulb (Weldon)



Part No.	Description
52001460	Light - Interior, Signal Lamp, Vapor Door,
22065365	Bulb - 12-Volt, #1895

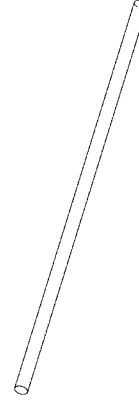


Part No.	Description
52000280	Light - Dome, 12 Volt, 12 CP, Int./Ext. (Truck-Lite)
52000086	Bulb - Side Directional
52000362	Lens - Clear
85520005	Gasket - Mounting
52005245	Light Dome 12 Volt 12CP Interior/Exterior (Truck-Lite)

Part No.	Description
52002188	Lamp - Dash Wiper, Illumination, Thomas FC (Cole Hersee)

# LIGHTS

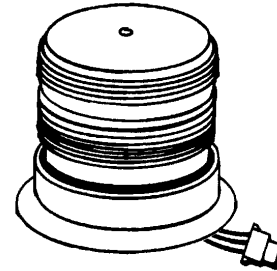
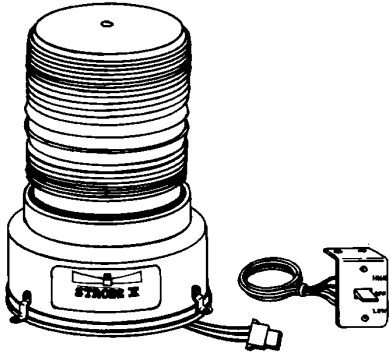
## Fluorescent



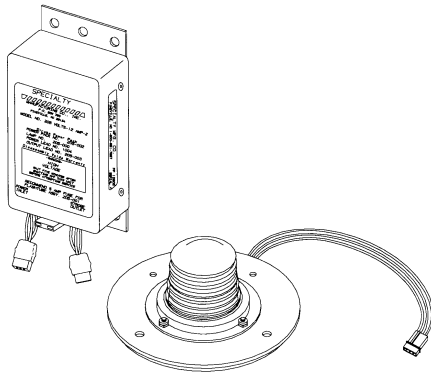
Part No.	Description
52000299	Light - Interior, Fluorescent Rec
52000300	Lens - Interior Light, Clear
52000304	Lens - Interior Light, Gray
52000468	Bulb - Light, Fluorescent
52000301	Housing, 53" Long
52000302	Cap - End (Set of 2)
52000303	Screw - End Cap
52000666	Ballast - Light
52001278	Light - Interior, 48" Fluorescent Strip
52001282	Lens - Interior Light
52000468	Bulb - Light, Fluorescent

Part No.	Description
60003282	Sleeve - Transmatic, Blue

## Strobe



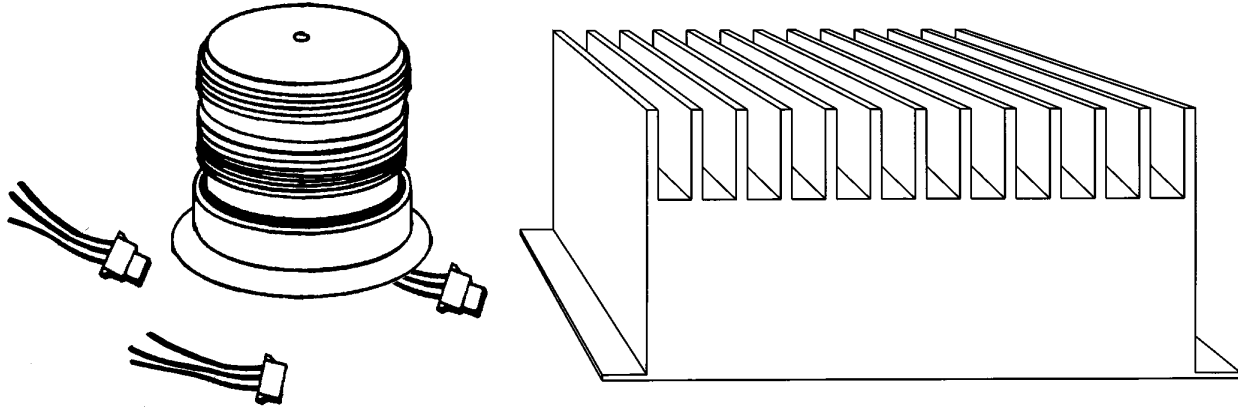
Part No.	Description
22032374	Light - Strobe, Clear Lens
52000585	Light - Strobe, Red Lens
85520150	Lens - Strobe, Amber
85520159	Flashtube



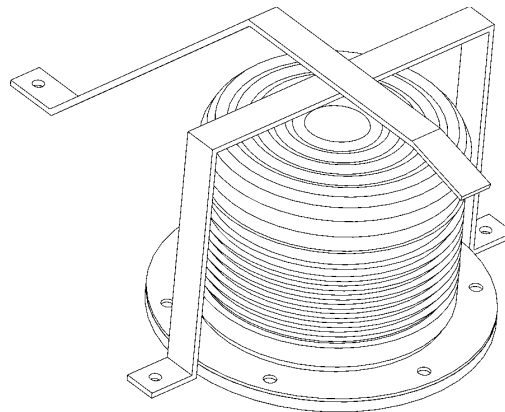
Part No.	Description
52002574	Light - Strobe, Kit, Clear, Roof Mount
85520163	Flashtube - Replacement, Assembly For Mini Strobe
85520164	Lens - Clear, Mini Strobe
85520152	Lamp - Assembly, Clear
85520153	Power - Pack

Part No.	Description
52001080	Light - Strobe, Clear, #2020 (Austin)
85520045	Lens - Clear
85520097	Flashtube
85520098	Power Supply
52001660	Light - Strobe, Clear #804-0301 (KD Lamp)
85520099	Flashtube
85520100	Power Supply
85520101	Lens
52002044	Light - Strobe, Clear Lens, Roof Mount #515-400 (Specialty)
85520094	Lens - Clear, 4"
85520095	Flash - Tube
85520096	Guard - Lens (Specialty)
52002157	Guard - Lens, (Thomas)
52005433	Strobe Light, Clear Lens, Whelen 2015 11 Joule, Double Flash
WHL DLC2000C	Lens
52005434	Strobe Light, Amber Lens, Whelen 2015 11 Joule, Double Flash
WHL DLC2000A	Lens
WHL FT10A	Flashtube
52002044	Light - Strobe, Clear Lens, Roof Mount, 12V, 2A, 10 Joules, 80 FPM, #515-400 (Specialty)
52002157	Guard - Lens
85520094	Lens - Clear, 4"
85520095	Flash - Tube
85520096	Guard - Lens
52003153	Light - Strobe, Amber Lens, Roof Mount, 12V, 2A, 10 Joules, 80 FPM, #515-410 (Specialty)
85520155	Kit - Mini Strobe Light
	Consists Of - Lamp, Remote Power Pack, Input Cable + 35 Ft Shielded Cable

## Strobe



Part No.	Description
22003377	Light - Strobe, Assembly, W/Power Pack & Two Leads (Aeroflash)
52001187	Pack - Power, 12-Volt, Double Flash (Aeroflash)
85520074	Adapter - Male
85520075	Adapter - Female
85520076	Light - Strobe, Double Flash, Clear Lens (Aeroflash)
52000438	Tube - Flash (Aeroflash)
85520077	Lens - Clear
85520078	Gasket - Lens
85520079	Gasket - Base
85520080	Guard - Branch (Optional)



Part No.	Description
52007046	Aeroflash Strobe Kit, Double Flash, Amber W/Mounting Gasket & Branch Guard
52007034	Amber Strobe
52007044	Branch Guard, Yellow
52007036	Mounting Gasket
AFS 1110074	Lens - Clear
AFS 1110075	Lens - Amber
AFS 0400042	Flash Tube

**TABLE OF CONTENTS**

Flasher .....3.2

Solenoid .....3.5

Monitor .....3.7

Relay .....3.9

Circuit Breaker .....3.10

Fuse .....3.12

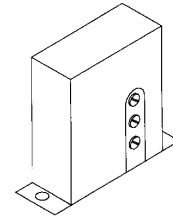
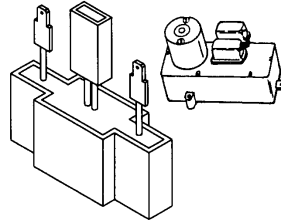
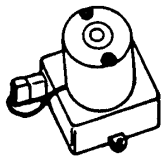
Buzzer & Chimes .....3.13

Fuse Panel .....3.14

Backing Alarm .....3.15

Printed Circuit Boards .....3.18

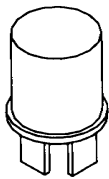
## Flasher



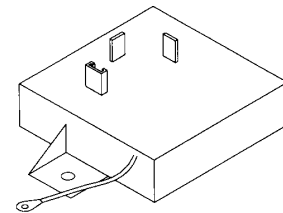
Part No.	Description
22023369	Flasher - 4-Light, (Baader Brown) (Note - Change to TBB 52004517, See PSB 5-15)

Part No.	Description
22066374	Relay - Flasher, #150-39
22067374	Relay - Flasher, #150-40
22038373	Flasher - 8-Light, (Baader Brown), #1920
22039373	Flasher - 8-Light, (Baader Brown), #1125
22026375	Block - Contact (Used with 22038373 & 22039373)

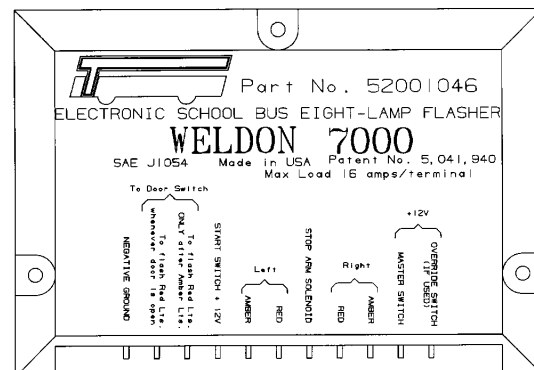
Part No.	Description
22149365	Flasher - Motor Driven (Arrow)



Part No.	Description
22018369	Flasher - Thermal (Wagner)
61201287	Flasher - 2 Pin, 60-100 FPM Flash
61200413	Flasher - 12-Vol, (Wagner)
61200435	Flasher - 12-Volt, Hazard Warning

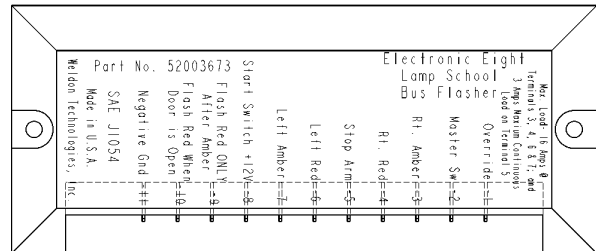
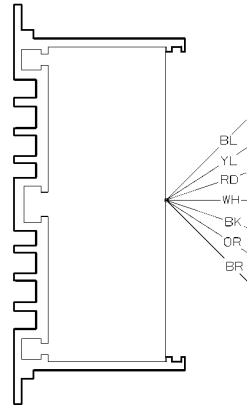
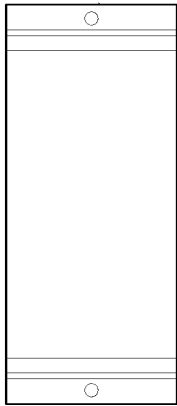


Part No.	Description
22013373	Flasher - 12-Volt (Dietz)



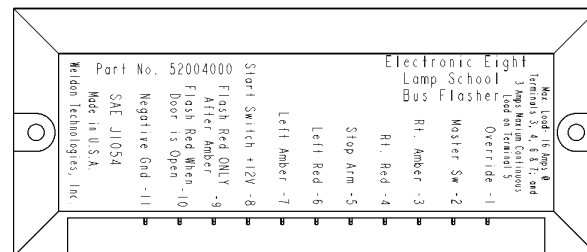
Part No.	Description
52001046	Flasher - 8-Light, Electronic
52001048	Flasher - 4-Light, Electronic

## Flasher

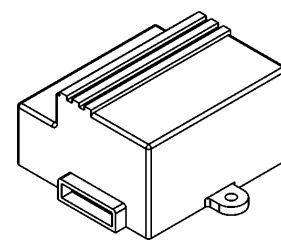
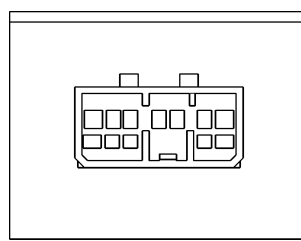
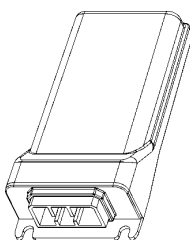


Part No.	Description
52003605	Flasher-Headlight Model SSF-2150 (Whelen)

Part No.	Description
52003673	Flasher, 8-Lamp, (Weldon)



Part No.	Description
52004000	Flasher, Eight Light

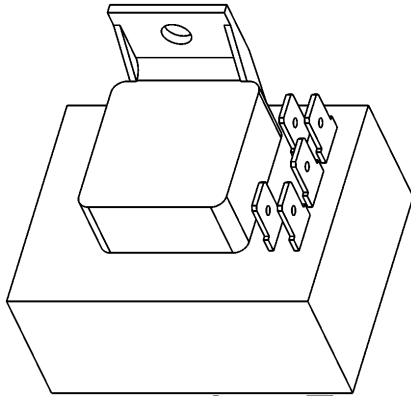


Part No.	Description
52005261	Safety Flasher

Part No.	Description
52006870	Electronic Flasher, Warning Light

Part No.	Description
61201159	Flasher, Solid State

## Flasher



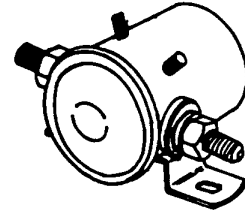
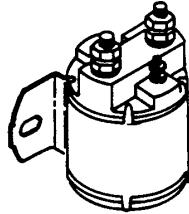
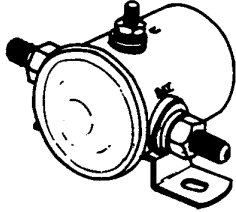
Graphic Not Available

Part No.	Description
52004517	Flasher Module, 4-Lamp

Part No.	Description
IPO SBF90	Flasher (Blue Bird)



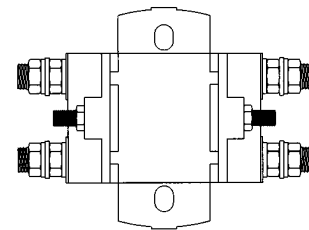
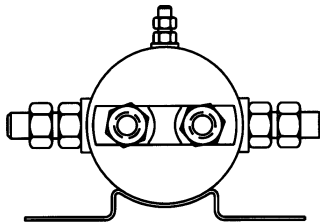
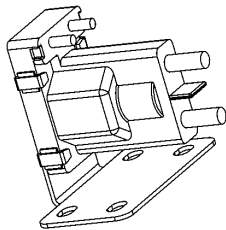
## Solenoid



Part No.	Description
52000001	Solenoid - Contractor, Vandalock
52000201	Solenoid - Reb Lift, Monarch Pump
52000449	Solenoid - Lift with Barnes Pump
65002550	Solenoid - Braun Lift, Up, Motor, All Pumps
65000403	Solenoid - Air Conditioner
65000811	Solenoid - Air Conditioner

Part No.	Description
52000103	Contacteur-Power, 12 VDC
61200411	Contacteur-Power, 12 VDC (Type 124-105211)

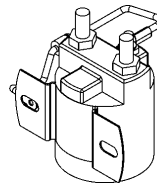
Part No.	Description
22170365	Solenoid - Relay, Dual Post
52000293	Solenoid - Lift, With Stone Pump



Part No.	Description
61200875	Solenoid, Sealed - Power SPNO, 100 Amp Continuous. Duty

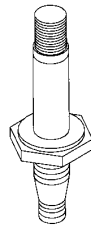
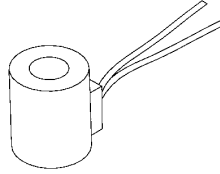
Part No.	Description
65000393	Solenoid - Air Conditioner

Part No.	Description
85650780	Solenoid - Power Contactor, 24-Volt, 100 Amp, SPDT

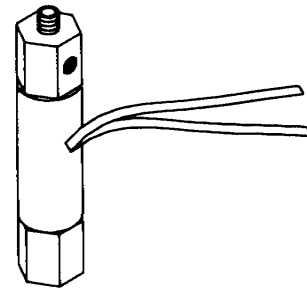
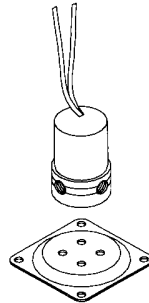
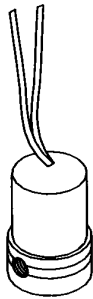


Part No.	Description
52004710	Contacteur, Power, 12VDC W/Diode
61202131	Contacteur 12VDC With Diode Jumper & Heat Shrink Insulation
61201719	Contacteur - Power, 12VDC, W/Diode

## Solenoid



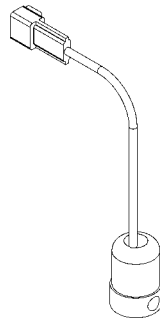
Part No.	Description
61280009	Solenoid - Hydraulic Control



Part No.	Description
61170210	Solenoid - Valve, 2-Way, 12-Volt, 1/4" NPT

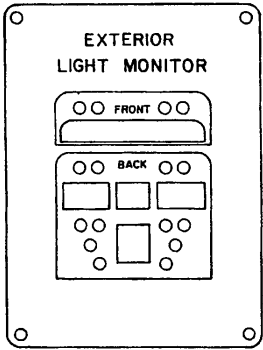
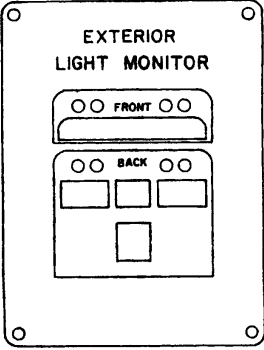
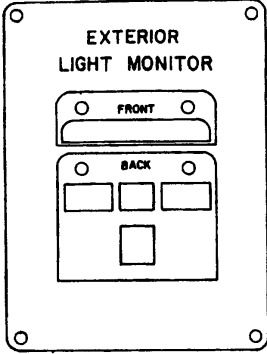
Part No.	Description
61150101	Solenoid - Valve, Normally Open

Part No.	Description
52000288	Solenoid - Intermittent, Air Wiper



Part No.	Description
61170320	Solenoid Valve W/Connector, Air, 2 Way, N/C, 12-Volt

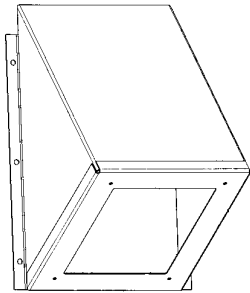
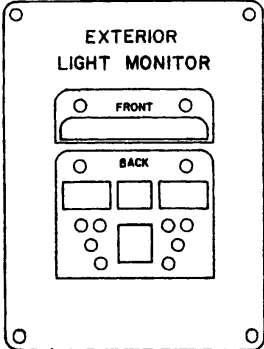
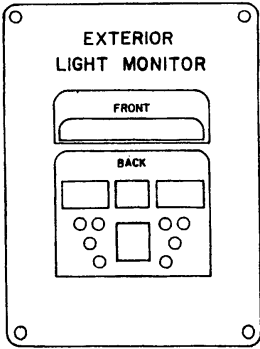
**Monitor**



Part No.	Description
52000787	Monitor - 4-Light, Model A-3 (Doran)

Part No.	Description
52000788	Monitor - 8-Light, Model B-3 (Doran)

Part No.	Description
52000789	Monitor - 4-Light, Model C-3 (Doran)
52004125	Monitor, Light, Remote 16 Light Monitor W/Fuse Protection

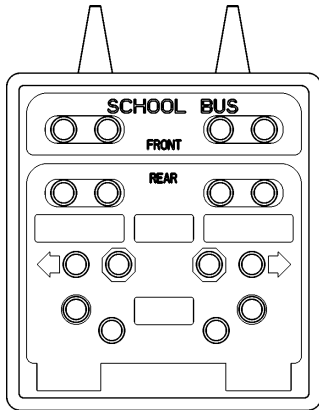


Part No.	Description
52000791	Monitor - 8-Light, Model E-3 (Doran)
52004125	Monitor, Light, Remote 8 Light Monitor W/Fuse Protection

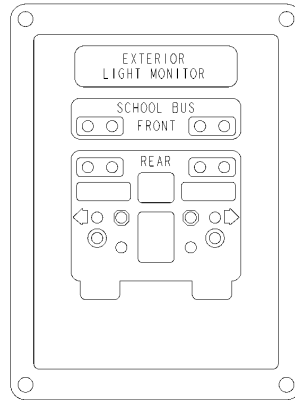
Part No.	Description
52000790	Monitor - 4-Light, Model D-3 (Doran)

Part No.	Description
65004805	Console - Doran Monitor, Overhead Assembly, (Pusher, FC And Conventional)

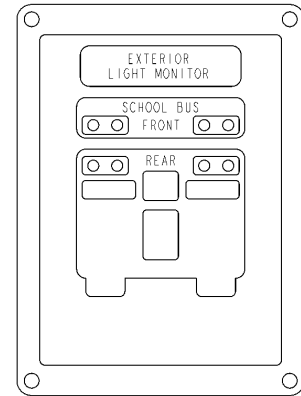
## Monitor



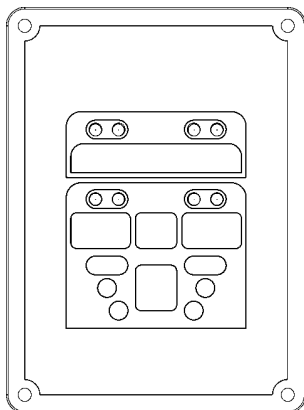
Part No.	Description
105896	Light Monitor, L.E.D Display



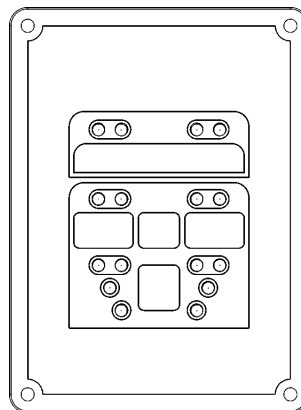
Part No.	Description
52003224	Light Monitor, Programable Input (8 & 16-Light Systems) (ESI)
52004714	Monitor,16 Light,Not Remote, W/Fuse Protection (Replace With 52006308, DMC C 4TH 00)



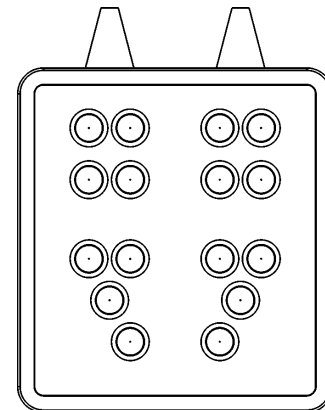
Part No.	Description
52005173	Monitor - 8 Light - Not Remote W/Fuse Protection (Replace With 52006309, DMC B 4TH 00)



Part No.	Description
52006308	Light Monitor, 8 Light (Doran, DMC B 4TH 00)

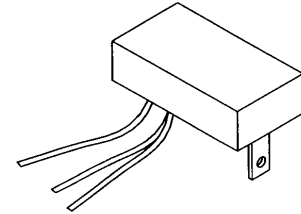
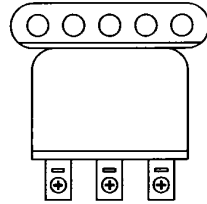
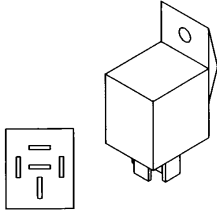


Part No.	Description
52006309	Light Monitor, 16 Light (Doran, DMC C 4TH 00)



Part No.	Description
52006319	Light Monitor W/Remote 16 Light Ext. Model C-4R (Doran)
52004125	light Monitor, Remote 16 Light, W/Fuse Protection (Doran)
52004712	Light Monitor 8 Light W/Remote Head, W/Fuse Protection, #20031000-8 (ESI)
52004713	Light Monitor - 16 Light Monitor W/Remote Head, W/Fuse Protection, # (ESI)

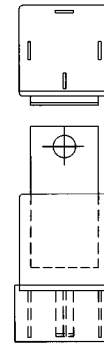
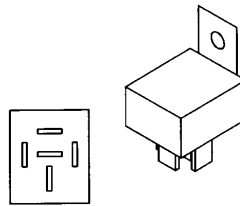
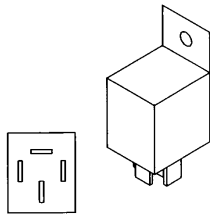
## Relay



Part No.	Description
52000386	Relay - 24-Volt, 12 Amp, SPNO
61200695	Relay - 6-Volt, 16 Amp, SPDT

Part No.	Description
61200109	Relay - Horn, 12-Volt

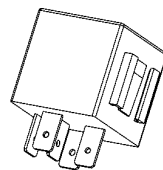
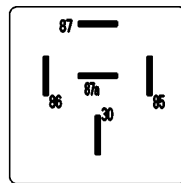
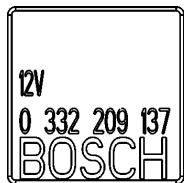
Part No.	Description
52001661	Relay - Pilot Light, 12-Volt



Part No.	Description
85650864	Relay - 12-Volt, 40 Amp, 4 Prong A/C

Part No.	Description
52000060	Relay - Spot, 12-Volt, Continuous Duty, 50/20 Amp
61200709	Relay - Control, with Mounting
61201114	Relay - Control, W/Mtg. Bracket, Coil Suppress, 40 Amp, SPDT

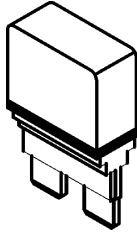
Part No.	Description
61200268	Relay - 12-Volt, SPST, 40 Amp



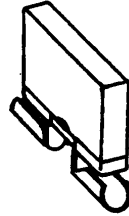
Part No.	Description
52003303	Relay, High Capacity, 12-Volt, SPDT

Part No.	Description
52005441	Relay, 12-Volt 40 Amp, Without Mounting Ear

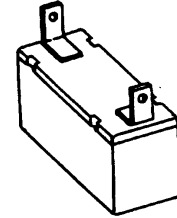
## Circuit Breaker



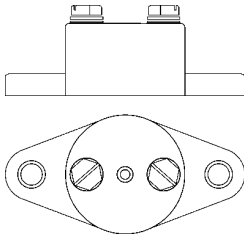
Part No.	Description
52003089	6-Amp, Silver
52003084	7.5-Amp
52003090	10-Amp, Red
52003091	15-Amp, Blue
52003092	20-Amp, Gold
52003093	25-Amp, Silver
52003094	30-Amp, Green



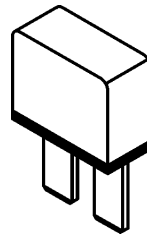
Part No.	Description
22035375	Breaker - Circuit, 6-Amp
22005375	Breaker - Circuit, 20-Amp
22006375	Breaker - Circuit, 30-Amp



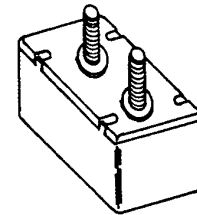
Part No.	Description
65000405	Breaker - Circuit, 6-Amp
65000406	Breaker - Circuit, 10-Amp
65000443	Breaker - Circuit, 20-Amp



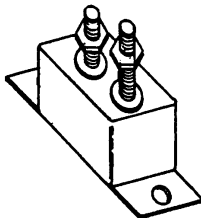
Part No.	Description
52000117	Breaker - Circuit



Part No.	Description
52000777	6-Amp
52002197	10-Amp
52002198	15-Amp
52002199	20-Amp
52002200	25-Amp
52002207	30-Amp

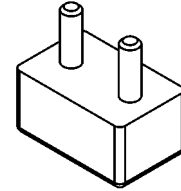
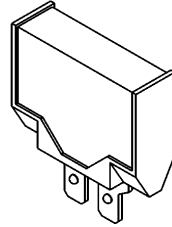
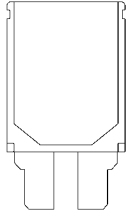


Part No.	Description
22031374	Breaker - Circuit, 6-Amp
61201180	Breaker - Circuit, 8-Amp (U.S.D)
22073365	Breaker - Circuit, 20-Amp
61200104	Breaker - Circuit, 20-Amp (U.S.D)
65000810	Breaker - Circuit, 30-Amp
22147365	Breaker - Circuit, 30-Amp
61201056	Breaker - Circuit, 30-Amp (U.S.D)
61200105	Breaker - Circuit, 35-Amp



Part No.	Description
85650454	Breaker - Circuit, 40 Amp
22065376	Breaker - Circuit, Vandalock

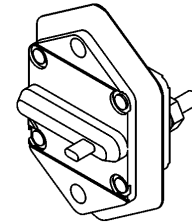
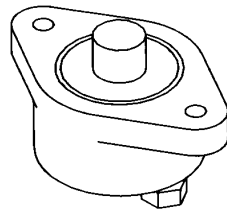
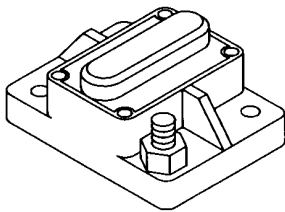
## Circuit Breaker



Part No.	Description
61201442	8-Amp
61201443	10-Amp
61201444	15-Amp
61201445	20-Amp
61201446	25-Amp
61201447	30-Amp

Part No.	Description
61200871	20-Amp
61200872	30-Amp
61200936	10-Amp
61200937	15-Amp
61200953	8-Amp
61201416	25-Amp

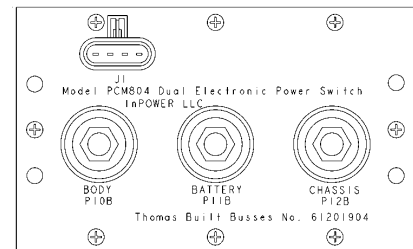
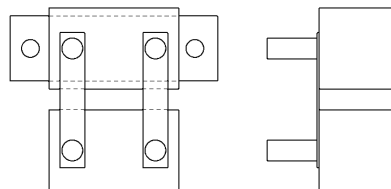
Part No.	Description
61201180	8-Amp
61200104	20-Amp
61201056	30-Amp
61200105	35-Amp



Part No.	Description
61200469	Breaker - Circuit, 30-Volt, 10-Amp
61200957	Breaker - Circuit, 30 VDC, 135-Amp, Manual Reset
61201441	Breaker - Circuit, 30 VDC, 120-Amp, Manual Reset W/ SW.
85650340	Breaker - Circuit, 90-Amp (Ricon Lift)

Part No.	Description
61200560	Breaker - Circuit
61201181	Breaker - Circuit, 150-Amp

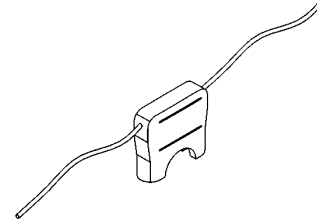
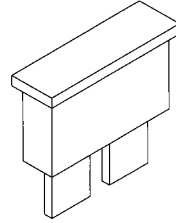
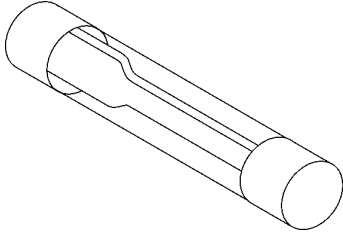
Part No.	Description
61201095	Breaker - Circuit, 30 VDC, 150-Amp, Manual Reset W/ SW., Panel Mounted



Part No.	Description
52006100	Breaker - Circuit, 60-Amp, Dual Stud

Part No.	Description
61201904	Electric Power Switch, Dual 150-Amp

## Fuse



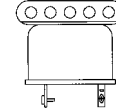
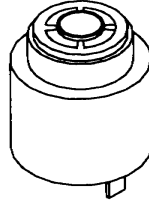
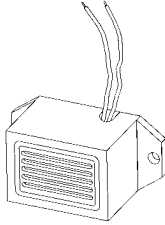
Part No.	Description
22070376	Fuse - AGC, 3-Amp
22011377	Fuse - AGC, 10-Amp
22078365	Fuse - AGC, 15-Amp
22079365	Fuse - AGC, 20-Amp
22011367	Fuse - AGC, 30-Amp
22080365	Fuse - SFE, 14-Amp

Part No.	Description
52000509	Fuse - 3-Amp, Automotive
52000510	Fuse - 4-Amp, Automotive
52000511	Fuse - 5-Amp, Automotive
52000512	Fuse - 7 1/2-Amp, Automotive
52000513	Fuse - 10-Amp, Automotive
52000514	Fuse - 15-Amp, Automotive
52000515	Fuse - 20-Amp, Automotive
52000516	Fuse - 25-Amp, Automotive
52000517	Fuse - 30-Amp, Automotive

Part No.	Description
52000505	Littlefuse - In-Line Fuse Holder, 30 Amp
52000504	Holder-In Line Autofuse, 20 Amp



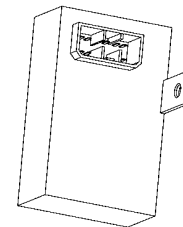
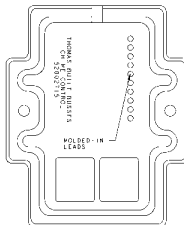
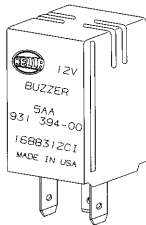
## Buzzer and Chimes



Part No.	Description
52001881	Buzzer - Electronic, 12-Volt

Part No.	Description
86480937	Buzzer - Tone, Black, 3/4" Round
52001980	Chime - Panel Mounted
52004023	Buzzer, Exit Door
52004561	Alarm, Door Open
61201739	Buzzer - Audible Headlight Alarm
61230350	Warning - Buzzer Electronic

Part No.	Description
22016365	Buzzer - 12-Volt
61200165	Buzzer-Warning, 12-Volt DC

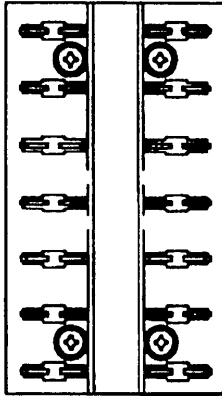


Part No.	Description
61200951	Buzzer - Alarm, 12-Volt, 3-Prong (EF)

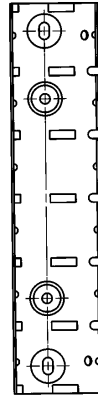
Part No.	Description
52002715	Module, Electronic Dual Chime System

Part No.	Description
52005437	Chime, Module Dual Chime System

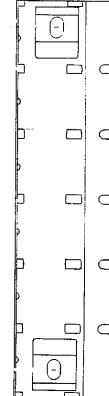
## Fuse Panel



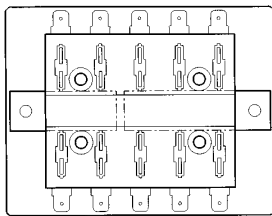
Part No.	Description
52000658	Panel - Fuse



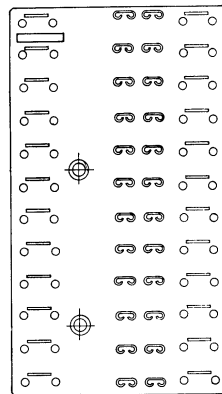
Part No.	Description
61200845	Bracket - Circuit Breaker, 6-Position



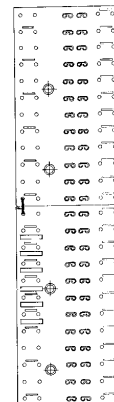
Part No.	Description
61200210	Bracket - Circuit Breakers



Part No.	Description
52002183	Fuse - Circuit Breaker, Block 10-Circuit, 6/4 Split
52002190	Fuse Block, Ten Circuit
BUS 15712	14/06 20A (Fuse Block 20)
52002242	Fuse - Circuit Breaker, Block 20-Circuit

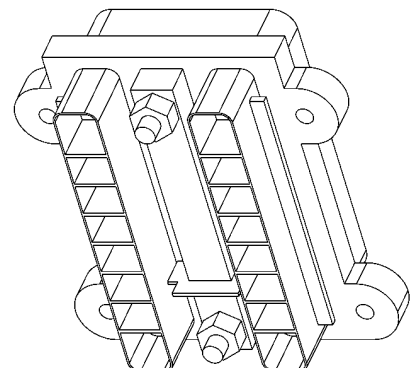


Part No.	Description
80520063	Panel - Fuse, 12-Circuit
52000658	Panel - Fuse, 24-Circuits (Groups: 16, 4, 2 & 2)

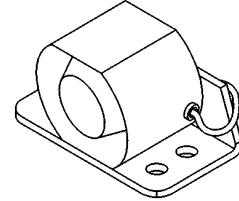
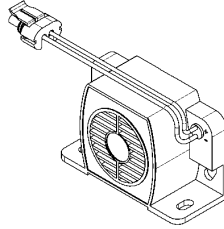
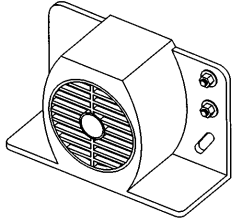


Part No.	Description
52000546	Panel - Fuse, 24-Circuit

Part No.	Description
52003083	Fuse Block, 16-Position (Bussmann)



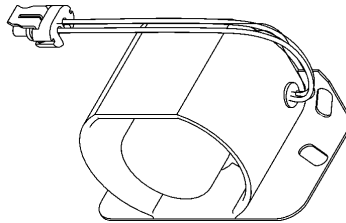
## Backing Alarms



Part No.	Description
52001390	Alarm - Back-Up, Model 570
52000033	Alarm - Back-Up, Model 510

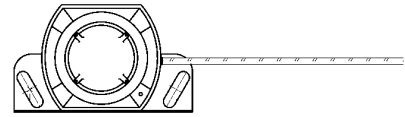
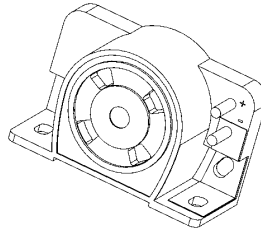
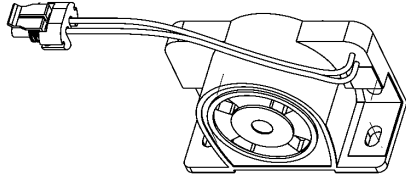
Part No.	Description
52007181	Alarm - Back-Up, 97db 12VDC W/Connector

Part No.	Description
52002068	Alarm - Back-Up, Model 630, 107 Db
65006915	Alarm - Back-Up, Model 850, 112 Db



Part No.	Quantity	Description
117671		Back-Up Alarm Assembly, 107 db, 12VDC, Connectorized
52007182		Back-Up Alarm, 107db 12VDC W/Connector
52005758	2	Connector, Metri Pack 150 2-Pin Sealed, Female, 12052641 (Packard)
52005760	5	TPA, Metri Pack 150 2-Pin Sealed, 12052634 (Packard)
52005877	4	Cable Seal, Metri Pack 150. 18 Ga. 12089678 (Packard)
52006651	3	Terminal, Metri Pack 150,16-18Ga Sealed F. 12048074 (Packard)
52007182	1	Back-Up Alarm, 107db 12VDC Connectorized, Model 630 (ECCO)

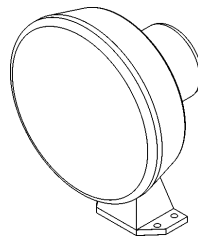
## Backing Alarms



Part No.	Description
106174	Alarm - Back-Up Assembly, BU 2000A-24V Type A 112db (Magnadyne)
106178	Alarm - Back-Up Assembly, Magnadyne BU 2000C Type C 97db (Magnadyne)

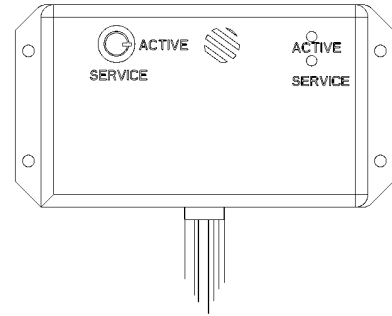
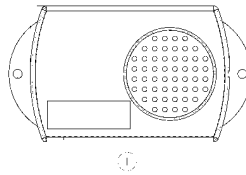
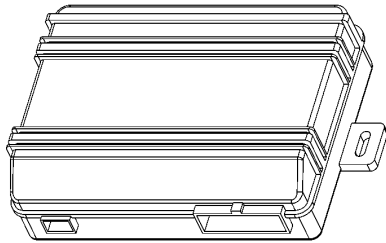
Part No.	Description
52005413	Alarm - Back-Up, BU 2000A-24V Type A 112db (Magnadyne)
52005414	Alarm - Back-Up, BU 2000C Type C 97db (Magnadyne)

Part No.	Description
52005875	Alarm - Back-Up, 87-112db, Variable
65007285	Alarm - Backing, 82-107db, ECCO Smart Alarm Model SA901



Part No.	Description
52004559	Defroster Fan, W/O Switch, W/Connector 12V, Unpainted Baader 8000 Base
81660031	Defroster Fan, 6", 12 Volt-2 Speed, Pedestal Mount, Electrohome Model #2889-041 (Canada)
52003268	Defroster Fan, W/O Switch 12V, Cup Base, Black
25005371	Plate - Bearing
85520219	Base - Fan, Cup (Black)
85520220	Bracket - "U" Defroster Fan (Black)
85520221	Mount - Motor, Defroster Fan
85520222	Guard - Front, Fan Blade (Black)
85520223	Guard - Rear, Fan Blade (Black)
85520224	Blade - Fan Defroster (Black)

## Backing Alarms

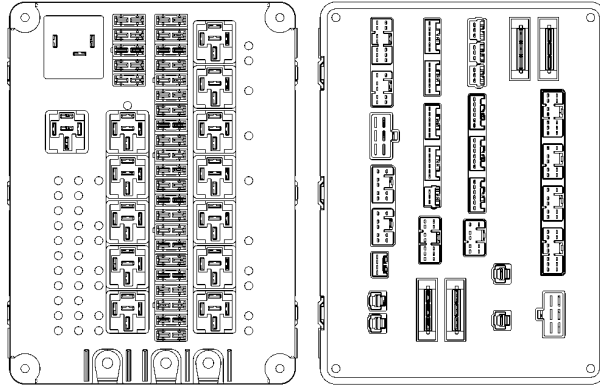


Part No.	Description
52004707	Safety Alarm, Child Reminder (CRS)
52002965	Switch, Push Button N/O Single Pole
52004723	Decal, L.E.D. Light, Child Reminder System .5" X 1.5"

Part No.	Description
52005436	Child Check-Mate System Alarm
52007207	(1) Child Check-Mate, Main Unit Module
52007208	(2) Child Check-Mate, Rear Vehicle Transmitter, Surface Mount
52005702	Wiring Harness, Child Check-Mate PC Board

Part No.	Description
52007153	Bus-Scan Brand Child Reminder System, (Robotics Tech. BS-100SA)

## Printed Circuit Boards



Part No.	Description
52004778	Printed Circuit Board Assembly No. 1
52005123	Label - PC Board No.1
52004779	Printed Circuit Board Assembly No. 2
52005124	Label - PC Board No.2
52004780	Printed Circuit Board Assembly No. 3
52005125	Label - PC Board No.3

**TABLE OF CONTENTS**

Motors & Shafts .....4.2

Motor Mounting Brackets .....4.7

Hardware .....4.8

Arms .....4.10

Blades .....4.12

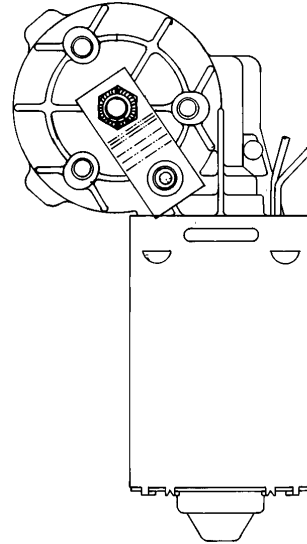
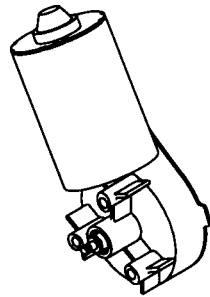
Switches & Knobs .....4.14

Wiper Control Modules .....4.17

Miscellaneous Washer Hardware .....4.19

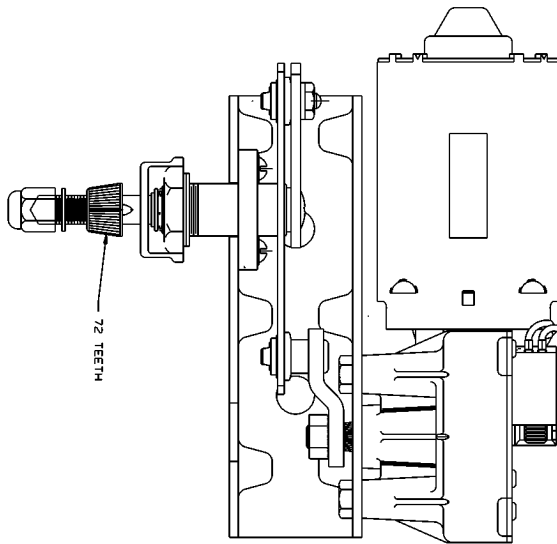
Washer Fluid Reservoirs .....4.21

## Motors & Shafts



Part No.	Description
85650481	Motor-W/S Wiper, W/Drive Arm, (ABP N82 230 J652) (Replaces 2500-2373)
65004562	Motor-Windshield Wiper, W/O Drive Arm, #65652-40MO25WJ
65012011	Unitized Wiper, 12 Volt, RS

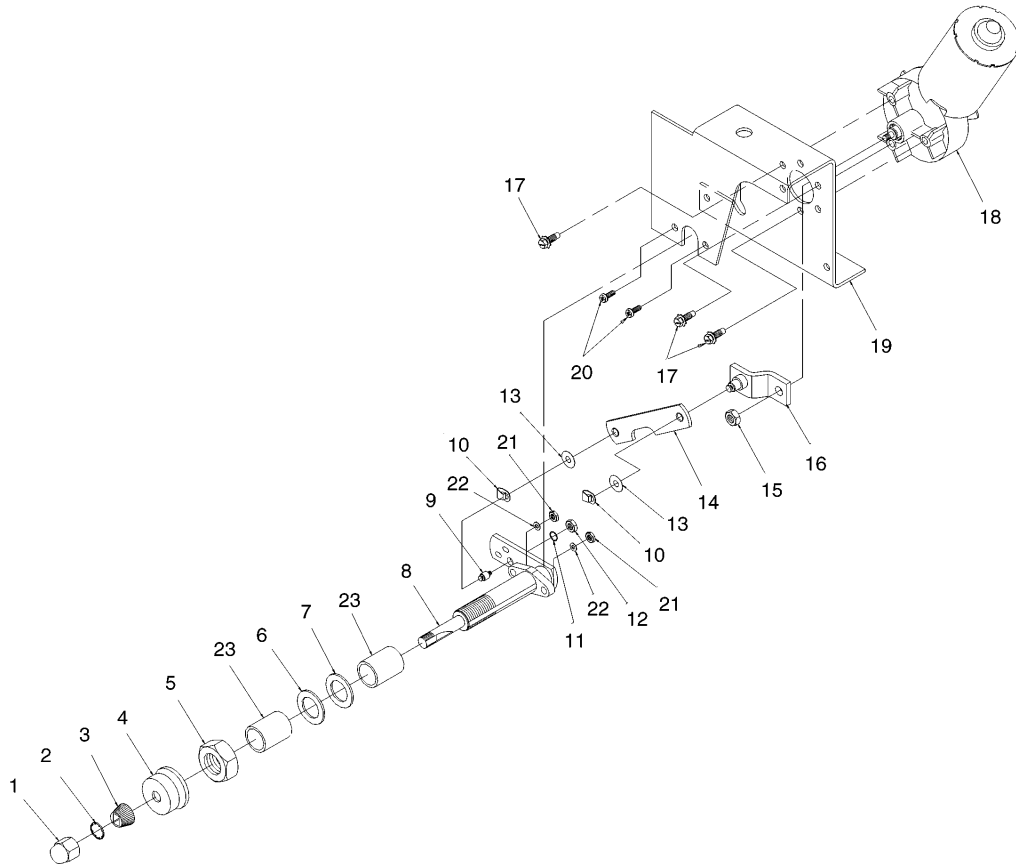
Part No.	Description
65004462	Motor - W/S Wiper, Assembly Kit, Right Side (Shown) #6365220 M012WJ (United Tech)
65004464	Motor - W/S Wiper, Assembly Kit, Left Side, #6332520 M012WJ (United Tech) Wiper Motor Assembly 6300020 M012WJ) Arm Assembly - Drive (6211120 LE2WJ) Locknut (6212120 NT25WJ) Spring Clip (1781529 SP27WC) Screw (1901823 SC27WC) Washer (WA 1654) Link Assembly - Connecting (LK 721014A) Pivot Shaft Assembly (SH 721207A)
65004562	Motor - Windshield Wiper, W/O Drive Arm, #65652 - 40MO25WJ (United Tech)



Part No.	Description
65004327	Motor - W/S Wiper, Assembly, Left Side, W/ Bracket, (FC) (Shown)
65004328	Motor - W/S Wiper, Assembly, Right Side, W/ Bracket, (FC)
65004736	Motor-Windshield Wiper Assembly W/ Bracket, Left Side (FC)
65004737	Motor-Windshield Wiper Assembly W/ Bracket, Right Side (FC)



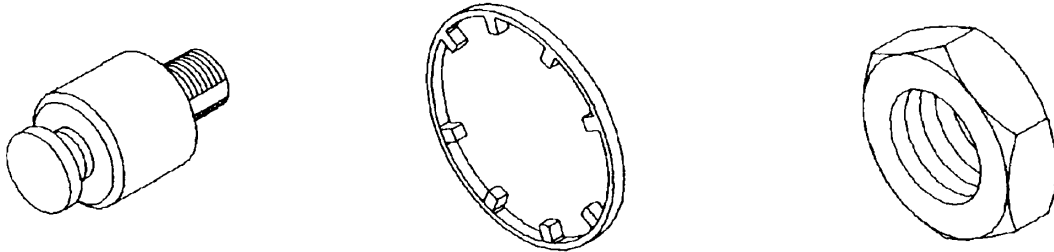
Motors & Shafts



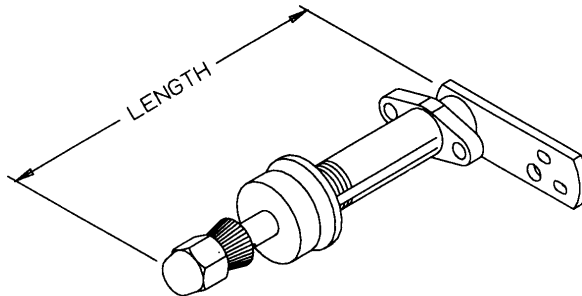
Item No.	Part No.	Description
	65006149	Moor - Wiper Top Mount, Assembly, Left
1	65006176	Nut - Acorn
2	65006178	Washer - Lock
3	65006179	Driver - Knurled
4	65006180	Cap - Rainshield, Rubber
5	65006181	Nut - Hex, Shaft
6	65006182	Washer - Steel, Shaft
7	65006184	Washer - Rubber Or Fiber, Shaft
8	65006186	Shaft Assembly (Parts 1 - 12 Included)
9	65006187	Pin - Linkage
10	65006188	Clip - Spring
11	65006189	Washer - Lock, Pin
12	65006191	Nut - Pin
13	65006192	Washer
14	25357061	Link - Drive, Lower Mount Left
15	65006194	Nut- Lock
16	65004561	Linkage - Drive
17	69003282	Button Head Screw
18	65012011	Motor - Electric
19	25140367	Bracket - Motor, Left Side
20	27155118	Screw - #10-24
21	27120361	Nut - #10-24
22	27131183	Washer - Lock, 3/16"
23	65002876	Spacer - Shaft



Motors & Shafts

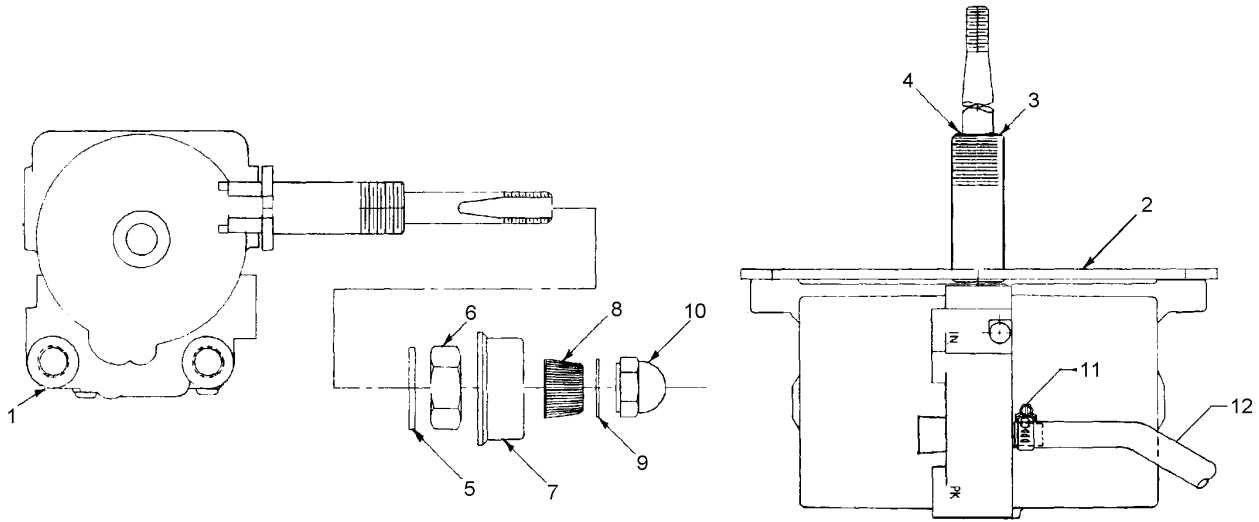


Part No.	Description	Part No.	Description	Part No.	Description
65006187	Pin - Linkage	65006189	Washer - Lock Pin	65006191	Nut - Pin



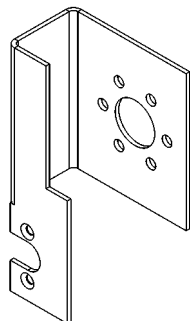
Part No.	Description	Length
65006186	Kit - Wiper Shaft Assembly Conventional (1993 - Present Models)	5 1/2" Long Shaft
65001280	Shaft - Pivot, Heavy Duty Electric Windshield Wiper ER, MVP-EF, MVP-ER	3 3/4" Long Shaft
85650402	Shaft & Pivot Assembly, Wipe Vista	4 1/2" Long Shaft
25011366	Shaft-Windshield Wiper Motor, Electric, W/ Hardware (#SH721207A)	5 1/2" Long Shaft

## Motors & Shafts

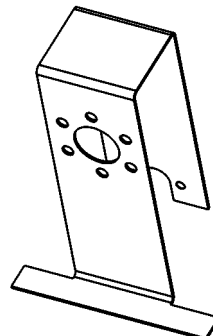


Item No.	Part No.	Description
	65001505	Motor & Bracket - Wiper, Assembly Left Hand (Sprague #GS-2364)
	65001506	Motor & Bracket - Wiper, Assembly Right Hand (Sprague #GS-2365)
1	SPR B24/1	80° Motor Assembly
2	SPR GS-2152-1	Mounting Bracket Assembly
3	SPR F-287	O-Ring
4	SPR C-709	Spring - Grip Fastene
5	SPR S-1893	Outer Spacer
6	SPR S-1532-1	Hex Nut
7	SPR S-2756-1	Weather Seal
8	SPR S-2280-1	Arm - Driver
9	SPR C-14230	Lockwasher
10	SPR C-1421-30	Acorn Nut
11	66000034	Clamp
12	65000040	Synflex Hose, 4' 6" Long
	85650091	Motor-Wiper, Air, Left Side, LWP
	85650092	Motor-Wiper, Air, Right Side, LWP

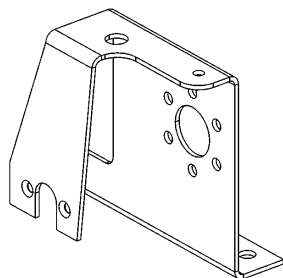
Motor Mounting Brackets



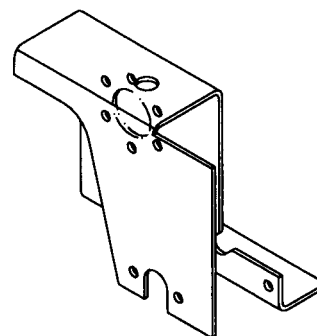
Part No.	Description
65008020	Bracket, Lower Left Mount Electric W/S Wiper, Navistar
25061376	Bracket-Mounting, Lower Left, Electric W/S Wiper, Conventional



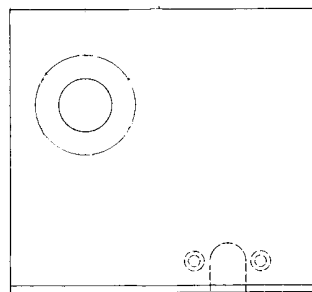
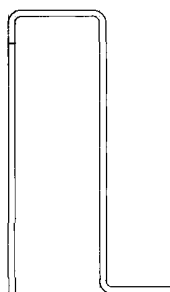
Part No.	Description
65007173	Bracket - Electric W/S Wiper, Top Mount, Enlarged W/S



Part No.	Description
25140367	Bracket - Electric W/S Wiper, Top Mount, Left Side



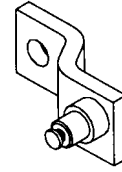
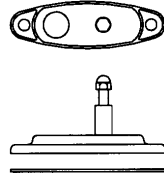
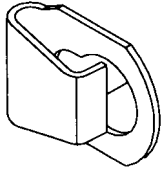
Part No.	Description
25186372	Bracket - Mounting, Top Mount, Right Side, Electric Windshield Wiper, Conventional



Part No.	Description
25060376	Bracket-Mounting, Lower Right, Electric W/S Wiper, Conventional

# WIPERS

## Hardware

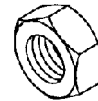
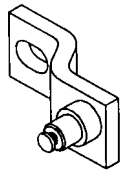


Tapered

Part No.	Description
25359061	Clip - Spring, Electric Windshield Wiper Drive
65006188	Clip - Spring, Motor Linkage

Part No.	Description
65004326	Plate - Pivot Mounting, Assembly,W/ Gasket, Pantograph Adapter
85651164	Nut - Acorn
85651181	Washer - Flat

Part No.	Description
85650052	Arm - Drive, Assembly, Electric Wipers, Tapered & Splined
85650400	Arm - Drive, Assembly, Wiper, Tapered & Splined, Vista
65004561	Arm - Drive, Windshield Wiper Motor, #6211120 LE25WJ

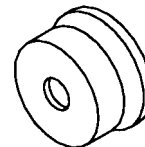


Slotted

Part No.	Description
25356061	Arm - Drive, Assembly, Electric Windshield Wiper Motor, Slotted

Part No.	Description
85650060	Washer - Lock, Wiper Shaft
65006178	Washer - Lock, Dull Black Finish

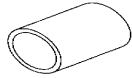
Part No.	Description
85650057	Nut - Hex, Wiper Shaft
65006181	Nut - Hex, Wiper Shaft, #6257740 NT25WJ



Part No.	Description
85650061	Nut - Cap, Acorn, 5/16" Shaft
25072366	Nut - Cap, Acorn, 1/4" Shaft
65006176	Nut - Acorn, #6257140 NT25WJ

Part No.	Description
85650058	Cap - Rainshield, Rubber Wiper Shaft
65006180	Cap - Rainshield, Rubber, Wiper Shaft, #6257240 CP25WJ

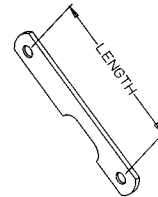
Hardware



Part No.	Description
65005840	Spacer - Windshield Wiper, Heavy Duty Electric, Below Windshield, 1" OD x 1 3/8" Long
65007395	Spacer - Windshield Wiper Motor, (Overhead), Aluminum Tubing 1.00 X.150 WALL X .875"
65002876	Spacer - Windshield Wiper, Heavy Duty Wiper Arm, (Overhead), 1" OD x 45/64" ID x 1 1/8"

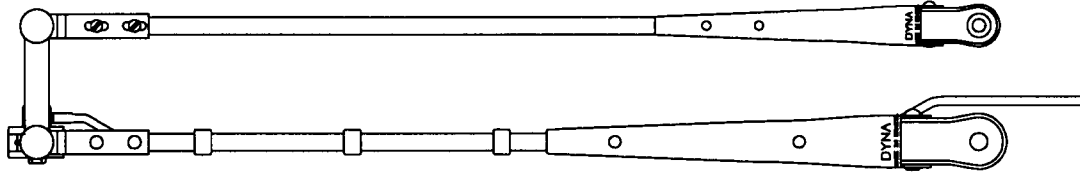
Part No.	Description
85650059	Driver - Knurled, Electric Wiper, 5/16" Shaft
25070366	Driver - Knurled, 1/4" Shaft
65006179	Driver - Knurled, Wiper Shaft, #6258040 NT25WJ

Part No.	Description
85650056	Washer - Steel, Wiper Shaft
65006183	Washer - Steel, Wiper Shaft, #6257440 WA25WJ
65006184	Washer - Rubber, Wiper Shaft, #6257340 WA25WJ
85650055	Washer - Rubber, Wiper Shaft

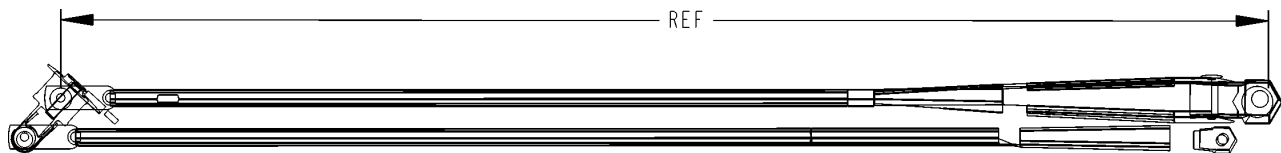


Part No.	Description
85650052	Link - Drive, Wiper Assembly
85650400	Linkage - Connecting, Assembly, Wiper, Vista
25357061	Link - Drive, Lower Mount Left Side Wiper, #441 LK721014A (3.375 in)
25079376	Link - Drive, Lower Mount Right Side Wiper, Freightliner & Conventional Top Mount Wiper (4.0625 in)
65008131	Linkage - Connecting Bar, Lower Left W/S Wiper, Navistar & Conventional (5.375 in) (Replaced by 65008593)
65008593	Arm - Connecting, Bottom Mount Wiper, Conventional & Navistar (5.63 in)
65007481	Linkage - Connecting, W/ Bushings, Steel Plated, Conventional W/ Enlarged W/S (3.094 in)
85650401	Linkage-Connecting, Assembly, Wiper
85650503	Arm-Drive, Assembly, W/S Wiper Motor, LWP

## Arms



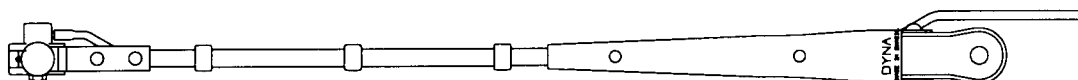
Part No.	Description	Usage
65001852	Arm - Wiper, ER, 16 1/2"	
65005642	Arm - Windshield Wiper	October 1990 to Present
85650725	Spring	
85650936	Cap - Plastic, Wiper Arm Pantograph, 28" Wet, Assembly	Pusher, All Star, MVP-EP
85650062	Kit - Wet, Wiper Arm	
65004564	Nozzle	
85650735	Nut - Lock, Nozzle Mounting	
85650736	Bolt - Hex	



Part No.	Description	Usage
65008930	Arm Assembly, Windshield Wiper (27.19" Ref) (Bosch)	Saf-T-Liner To Nov (Note - Change to Sprague - See PSB 1-31)
65009912	Arm Assembly, Windshield Wiper (28.20" Ref) (Sprague)	Saf-T-Liner Nov 2000 - Present
SPR GW 103 2	Nozzle	
SPR C 1566	Blade Screw	
SR C 1548	Locknut	

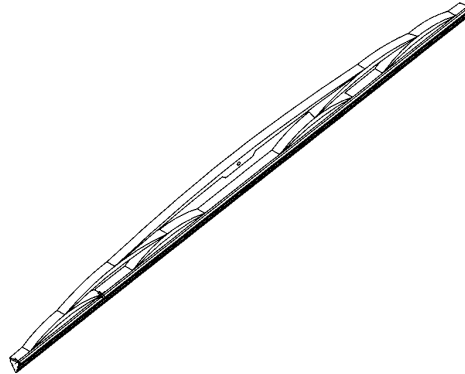


## Arms

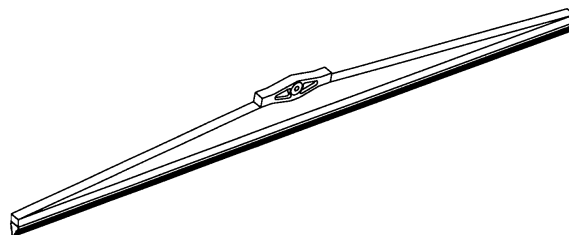


Part No.	Description	Usage
65002885	Wiper - Arm Vista 20"	Vista July 1989 - Jan. 1990
65002957	Wiper - Arm, Wet, 16" (Sprague)	Conventional, 1973 to February 1990
65004000	Wiper - Arm, Wet, 16"	Conventional, February 1990 to Present
65004042	Wiper - Arm, Wet, Black, 20"	Vista, January 1990 to Present
65004726	Wiper - Arm, Wet W/ Nozzle, 18" (Matt Black)	Freightliner, to June 1999
85650936	Cap - Plastic, Wiper Arm Pivot Clamp	
65004566	Screw - Wet Arm	
65004565	Nut - Hex, Wet Arm	
25026377	Kit - Nozzle & Tee	
65001254	Tubing - Rubber, Black, Wet Arm (Per Foot)	
65004564	Nozzle-Wet Arm (#NZ52698)	(For 65004000 Arm)

## Blades



Part No.	Description	Usage
65004001	Wiper - Blade, 18"	Conventional, Feb. 1990 - Present
65004330	Wiper - Blade, 28"	ER, FC, Oct. 1990 - Present
65004043	Wiper - Blade, 20"	Vista, Jan. 1990 - Oct. 1993, Freightliner, Freightliner Conventional July 1999 - Present
65005523	Wiper - Blade, 22"	Vista, Oct.. 1993 - Present
65009911	Wiper - Blade, 27 - 5/8" (Sprague)	Saf-T-Liner, Nov. 2000 - Present
65008931	Blade, Windshield Wiper (Bosch)	
65002956	Blade, Windshield Wiper 18" Flat (Sprague)	Conventional, 1973 - Feb. 1990
65001508	Blade, Windshield Wiper (Sprague)	ER, July 1985 - Oct. 1990
65002999	Blade, Windshield Wiper 20" (Bosch)	Vista, July 1989 - Jan. 1990
81650318	Blade-Wiper, Winter (Anco)	



Part No.	Description	Usage
85650832	Blade - Wiper, Windshield 24" Winter Blade, Heavy DutyW/ Special Wide Saddle Connect	Pusher & Allstar

## Blades

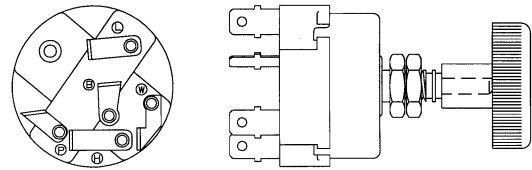
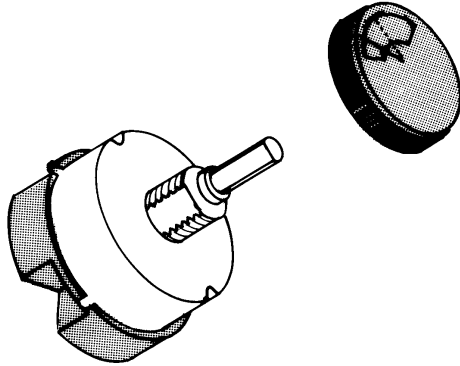
### Wiper Motor Change Over Kit - Trico Air To Sprague Air

Part No.	Quantity	Description
65001508	2	Wiper- Blade 20"
65001852	2	Wiper - Arm
65001506	1	Wiper - Motor (Right)
65001505	1	Wiper - Motor (Left)
65001504	2	Spacer - Mounting 11/16" x 1/2"
27120375	6	Nut - Hex 1/4"-20
29900022	4	Bolt 1/4"-20 x 1 3/4"
65001511	2	Valve - Wiper Control
29980043	2	Elbow - Male
65001850	1	Washer - Control Valve
65001503	4	Spacer - Mounting 9/32" ID x 1/2"
27150385	4	Washer - Flat 1/4"
29990154	2	Nipple - Pipe Close 1/8"
65001510	2	Adapter - Hose
29990173	2	Coupling
29980088	10	Union - Male
53000365	2	Plate - Mounting
65001507	2	Plate - Pivot
27157728	2	Bolt 1/4"-20 x 5/8"

### Wiper Motor Change Over Kit - Trico Air To Sprague Electric

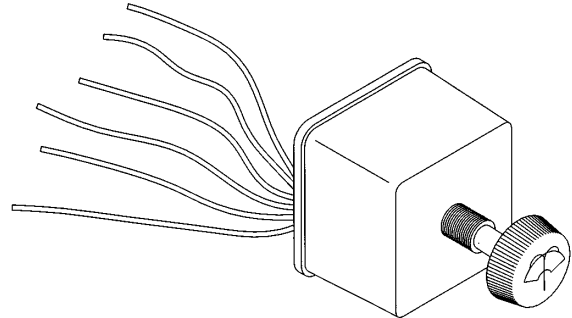
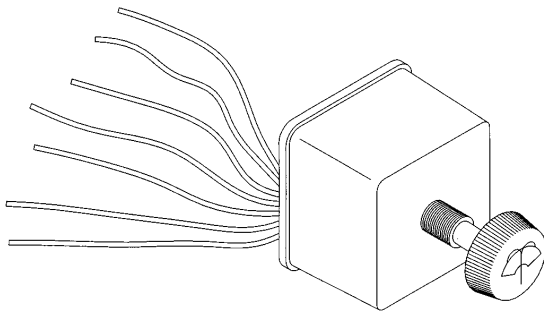
Part No.	Quantity	Description
65004043	2	Wiper- Blade 20"
65004329	2	Wiper - Arm, Pantograph, 28", Wet
65005642	2	Wiper - Arm, Pantograph, 28", Wet (FC & Pusher)
65004737	1	Wiper - Motor (Right)
65004736	1	Wiper - Motor (Left)
65004326	2	Plate - Pivot
52000242	2	Switch - Wiper
53000856	2	Plate - Mounting
52000056	1	Wire Harness - Wiper
52002344	1	Wire Harness - Wiper, Bottom Mounted (Conventional)

## Switches and Knobs



Part No.	Description
52001121	Switch - Rotary, Three Position Windshield Wiper & Washer, 6-Pole
52001175	Switch - Dual Motor Control, Windshield (10 Terminal)
52001176	Switch - Dual Windshield Washer, 7-Pole
85520051	Knob - Intermittent, Wiper Switch

Part No.	Description
52000242	Switch - Electric Windshield Wiper, With Circuit Breaker, 5-Pole
85520006	Knob - Wiper, Control Switch



Part No.	Description
52000416	Switch - Intermittent Wiper, without Dynamic Park (7 Wire)
52001122	Switch - Intermittent Delay, Dual Motor, Scat
85520051	Knob - Intermittent

Part No.	Description
52001194	Switch - Windshield Wiper & Washer, Intermittent (6 Wire)
52001188	Switch - Windshield Wiper & Washer, Two Motor, Vista
85520051	Knob - Intermittent

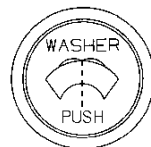
Switches and Knobs



Part No.	Description	Usage
22036372	Knob - W/S Wiper Switch (Push-On)	22006373 Switch - Electric Windshield Wiper



Part No.	Description	Usage
85520006	Knob - W/S Wiper Switch (Push-On)	52000242 Switch - Elec. W/S Wiper, W/ Circuit Breaker



Part No.	Description	Usage
85650496	Knob - Washer Control Valve (Silver Face, Set Screw)	65001850 Air Valve - Washer Control (Sprague)



Part No.	Description	Usage
85650099	Knob - Wiper Control Valve (Silver Face, Set Screw)	65001511 Air Valve - Wiper Control (Sprague)

## Switches and Knobs

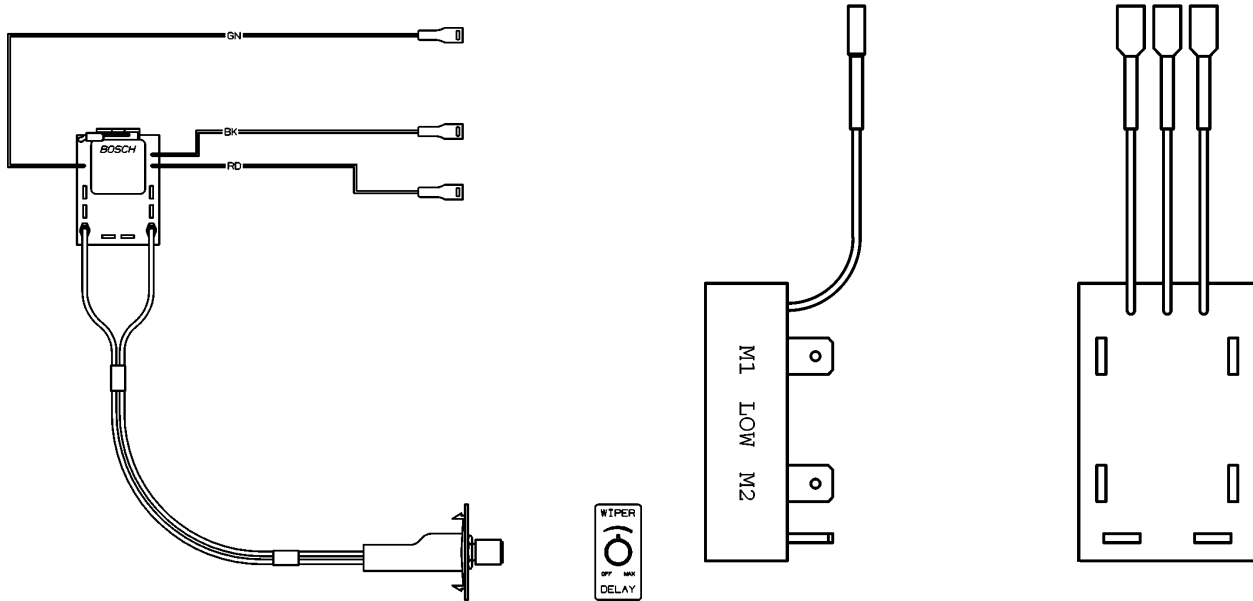


Part No.	Description	Usage
85650098	Knob - Wiper Control Valve W/Washer (Silver Face, Set Screw)	65002855 Air Valve - Wiper Control (Sprague) 65004363 Air Valve - Wiper Control W/Washer, Medium Duty (Sprague)



Part No.	Description	Usage
85520006	Knob - W/S Wiper Switch (Push-On)	52000242 Switch - Elec. W/S Wiper, W/ Circuit Breaker
85520051	Knob - Intermittent Wiper Switch	52001188 Switch - Intermittent Delay, Two Motor W/S Wiper And Washer, Vista 52000416 Switch - Intermittent Wiper, W/O Dynamic Park (Cole-Hersee) 52001175 Switch - Dual Motor Control, W/S Washer (Bosch And Sprague Motor) 52001176 Switch - Dual W/S Washer (United Tech Motors) 52001121 Switch - Rotary, 3 Position Windshield Wiper And Washer 52001122 Switch - Intermittent Delay, Dual Motor Windshield Wiper & Washer (Scat) 52001194 Switch - Windshield Wiper & Washer, Intermittent Delay, w/ Dynamic Park

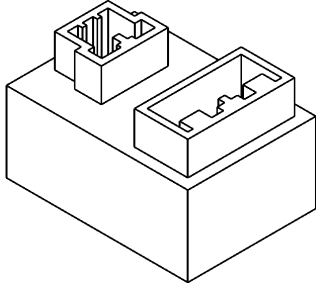
## Wiper Control Modules



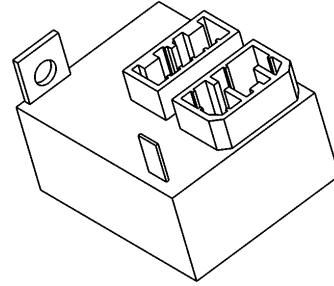
Part No.	Description
52002394	Module - Intermittent Relay, Dual Wiper Motors, W/ Switch (9 Pin)
52002395	Module - Intermittent Relay, Single Wiper Motor W/ Switch (6 Pin)

Part No.	Description
52002393	Module - Dual Wiper Diode, Isolator - One Switch To Motor

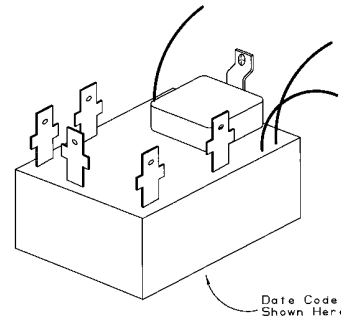
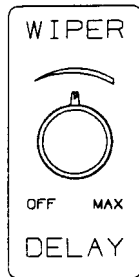
## Wiper Control Modules



Part No.	Description
52004973	Module - Diode, Wiper Control, One Switch W/ Connectors



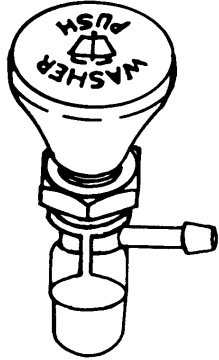
Part No.	Description
52004981	Module - Intermittent Relay, For Dual Wiper Motors, W/ Conectors



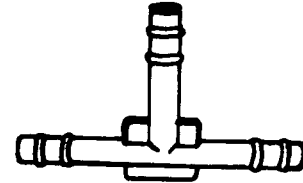
Part No.	Description
85520149	Module - Single, Intermittent
85520148	Module - Dual, Intermittent
85520147	Control - Off/On, Timer Delay



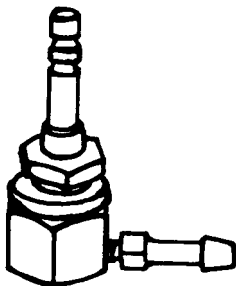
Miscellaneous Washer Hardware



Part No.	Description
65001850	Valve - Washer, Control
85650496	Knob - Washer, Control

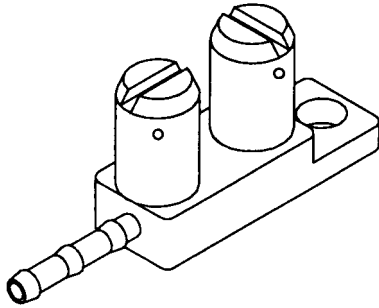


Part No.	Description
25026375	Connector - Tee, 3/16" x 3/16" x 3/16"

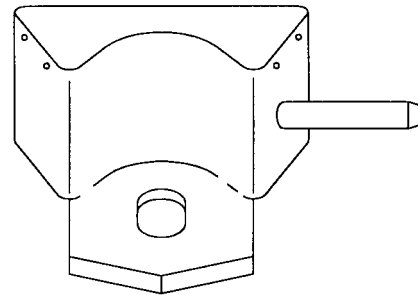


Part No.	Description
65001510	Adapter - Wet Arm, Assembly, Windshield Wiper

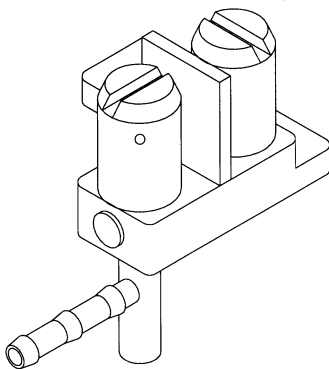
## Miscellaneous Washer Hardware



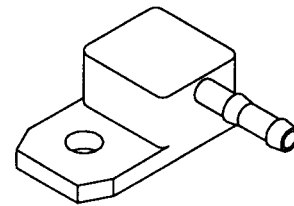
Part No.	Description
65004368	Nozzle - Wet Arm, 1/8" Mounting Hole, ER, Aug. 1990 - Present



Part No.	Description
65001255	Nozzle - Wet Arm

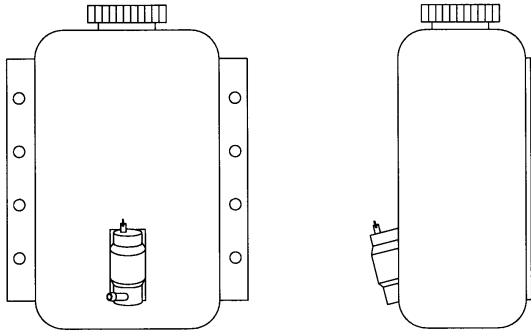


Part No.	Description
65004010	Nozzle - Wiper Arm

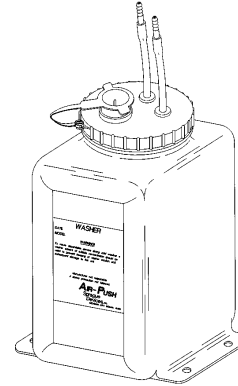


Part No.	Description
65004564	Nozzle - Wet Arm

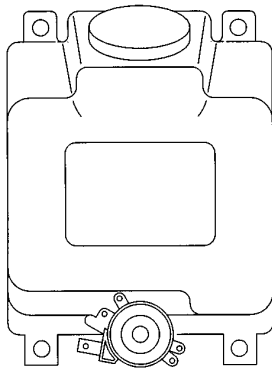
**Washer Fluid Reservoirs**



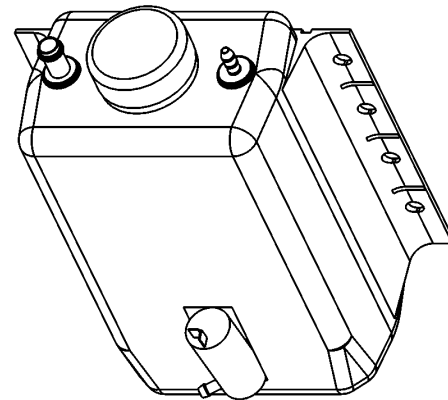
Part No.	Description
65004355	Reservoir - Windshield Washer Fluid, 4 Qt., 12
85650009	Grommet - Rubber, Washer Reservoir #65004355
65004394	Pump - Washer - Reservoir, 4 Qt.
85650437	Cap - Windshield Washer Reservoir



Part No.	Description
65001851	Bottle - Washer, Sprague
85650934	Cap - Reservoir
65007095	Guard - Stone, Washer Bottle



Part No.	Description
25025377	Canister & Motor, Windshield Washer
65007524	Bracket - Mounting



Part No.	Description
61250112	Reservoir - W/S Washer Fluid, 4 Quart 12 Volt W/ 5/8 & 1/4 Top Fittings
86250001	Cap - Reservoir, Windshield Washer Fluid

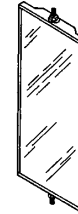
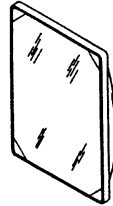
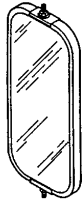


## Table of Contents

Exterior Heads Quick Reference . . . . .	5.2
Brackets, Clamps and Angles . . . . .	5.4
Braces . . . . .	5.6
7" x 16" Assembly W/ 8 Convex . . . . .	5.8
7" X 10" Double Nickel Assembly . . . . .	5.10
Double Nickel Assembly Kits . . . . .	5.12
Double Nickel Assembly - 10" x 10" . . . . .	5.14
Mirror Kits - 7" x 10" Flat w/ 8" Convex . . . . .	5.15
Double Nickel Kits . . . . .	5.16
Double Nickels On Extended Arms (Freightliner) . . . . .	5.17
Heated Super Nickel Assembly (Thomas Brackets) . . . . .	5.19
Heated Super Nickel on Handle Bracket . . . . .	5.20
Super Nickel Mirror Kits . . . . .	5.21
Dynamic Duo Assembly . . . . .	5.22
Quadrispherical . . . . .	5.24
Quadrispherical Mirror Service Parts . . . . .	5.30
Crossview . . . . .	5.33
Rearview Mirror Kits . . . . .	5.48
Mirror Head Components - Rosco . . . . .	5.52
Mirror Assembly Kits . . . . .	5.53
Mirror Kits . . . . .	5.63
Mirror Head, Remote Controlled . . . . .	5.64
Interior . . . . .	5.69
Sun Visors . . . . .	5.72
Rearscope Lens . . . . .	5.75

# MIRRORS

## Exterior Heads Quick Reference



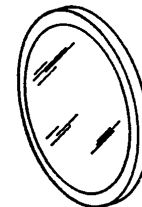
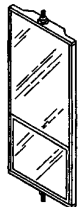
### Double Nickel

### Stainless Steel

Part No.	Description
25101375	Mirror, 7" x 16"
65000374	Mirror, 7" x 16", Heated
65000564	Mirror, 6" x 12"

Part No.	Description
85650032	Mirror, 7" x 10", Flat
85650034	Mirror, 7" x 10", Flat, Heated
85650041	Glass, 7" x 10", Flat
85650033	Mirror, 7" x 10", Convex
85650035	Mirror, 7" x 10", Convex, Heated
85650042	Glass, 7" x 10", Convex
85650938	Clip Corner W/Screw
85651206	Element - Heating Mirror, 3" x 6" Element, W/Wires (For 7" x 10" Mirror) (Mirror Lite)

Part No.	Description
65005989	Mirror, 7" x 16"
65005990	Mirror, 7" x 16", Heated
65004374	Mirror, 7" x 16", Heated, Marker Light
25072373	Mirror 6" x 16"
65002204	Mirror 6" x 16", Heated



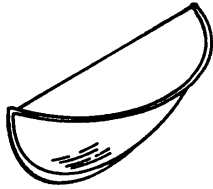
### Stainless Steel

Part No.	Description
65003069	Mirror, 6" x 16" Adjustable Convex
25005370	Mirror, Wide Westcoaster, Dual Head, 6" x 10" Flat Glass & 6" x 6" Convex

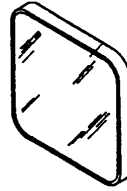
Part No.	Description
65000727	Mirror - Aluminum, 8" x 8"

Part No.	Description
25010373	Mirror - Convex 5#

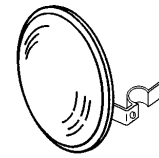
## Exterior Heads Quick Reference



Part No.	Description
85650077	Mirror - Quadrispherical, Heated
85651904	Element - Heating, W/Wires "Bus Boy", Mirror, (Comp. Of 85650077) (Mirror Lite)
65002951	Mirror - Quadrispherical (Mirror Lite)



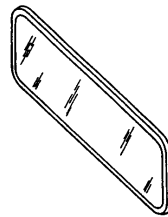
Part No.	Description
25037375	Mirror - Convex, 7" x 7", W/Clamps
25118376	Mirror - Convex, 7" x 7"



Part No.	Description
65006349	Mirror - Convex, 8", Heated for 1" Tubing
65006361	Mirror - Convex, 8", W/Stainless Steel Post & Clamp for 1" Tubing
65006362	Mirror - Convex, 8", Heated, W/Stainless Steel Post & Clamp for 1" Tubing
65006319	Mirror - Convex, 8", W/Mounting Clamp for 1" Tubing
65006708	Mirror-8" Dia. Convex, W/Mtg. Clamp for 3/4" Dia. Tubing



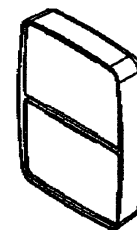
Part No.	Description
65000296	Mirror - Convex, Elliptical, 8"
ML 54 16 89	Lens Only
81650327	Mirror -Elliptical, Heated (Mirror Lite)
ML 74 4 63	Element - Heating
65000693	Mirror - Convex, 8" Offset Mount
65005943	Mirror - Convex, Low Dome, 8", Off-Center Ball Stud, Heated (Rosco)
65005595	Mirror - Convex, Low Dome, 8" Off-Center Ball Stud (Rosco)
65005945	Mirror - Convex, Low Dome, 8", Off-Center Ball Stud, Stainless Steel
65005946	Mirror - Convex, Low Dome, 8", Off-Center Ball Stud, Heated, Stainless Steel



Part No.	Description
65000675	Mirror - 6" x 30", Silver Safety
25012373	Mirror - 6" x 30", Non Glare
25167366	Mirror - 10" x 30", Clear
65000717	Mirror - 10" x 30", Non Glare
85650823	Mirror - 7" x 16", Clear

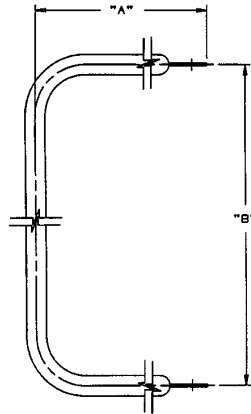


Part No.	Description
25152365	Mirror - Flat, 8" (Side Exit Door)
25155365	Mirror - Convex, 12" (Side Exit Door)

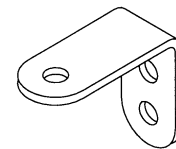
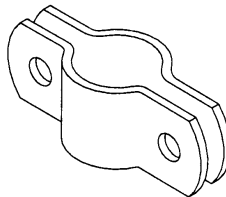
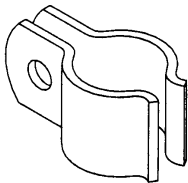


Part No.	Description
RPS M1013HCC	Mirror - Dual 10" x 13.71", Rosco, (Canada)

## Brackets, Clamps & Angles



Part No.	Description	Dimension A	Dimension B
25157374	1" Outer Diameter x 16 Gauge x 67"	19 3/4"	28"
25158374	1" Outer Diameter x 16 Gauge x 40 1/2"	6 1/2"	28"
65001769	1" Outer Diameter x 16 Gauge x 48 1/2"	10 1/2"	28"
65007005	1" Outer Diameter x 16 Gauge x 77"	24 3/4"	28"
65005423	1" Outer Diameter x 16 Gauge x 77 1/4"	20 3/4"	37"
65005424	1" Outer Diameter x 16 Gauge x 58 3/4"	11 1/2"	37"
65005412	1" Outer Diameter x 16 Gauge x 80 1/4"	20 3/4"	40"
65005413	1" Outer Diameter x 16 Gauge x 61 3/4"	11 1/2"	40"
65005978	1" Outer Diameter x 16 Gauge x 48 1/2" Stainless Steel	10 1/2"	28"
65005979	1" Outer Diameter x 16 Gauge x 40 1/2" Stainless Steel	6 1/2"	28"
65007006	1" Outer Diameter x 16 Gauge x 77" Stainless Steel	24 3/4"	28"
65002576	1" Outer Diameter x 16 Gauge x 67" Stainless Steel	19 3/4"	28"



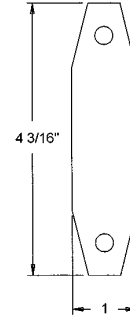
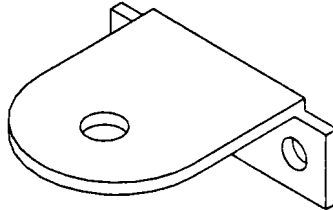
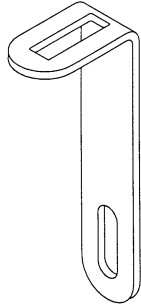
Part No.	Description
25155374	Clamp - Bracket, Mirror
80650273	Clamp - Mirror Bracket, Minotour
65011105	Clamp - Mirror Bracket, .75" Dia. Tubing, Minotour

Part No.	Description
25163374	Clamp - Brace, Mirror

Part No.	Description
25166374	Angle - Mounting, Crossview & Main Mirror



## Brackets, Clamps & Angles

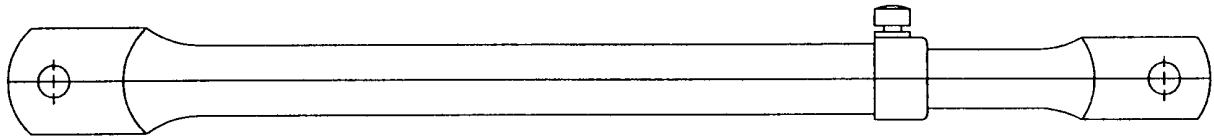


Part No.	Description
25156374	Angle - Mounting, Crossview & Main Mirror

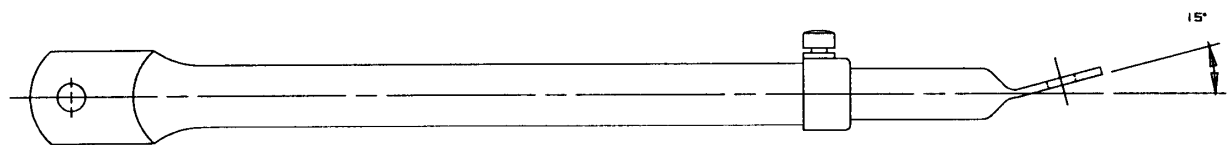
Part No.	Description
25004368	Bracket - Mounting, Rearview Mirror Arms, Vista

Part No.	Description
25167374	Brace - Mirror, Crossview

## Braces



Part No.	Description
65005430	Brace - Mirror (Both Ends Flat)

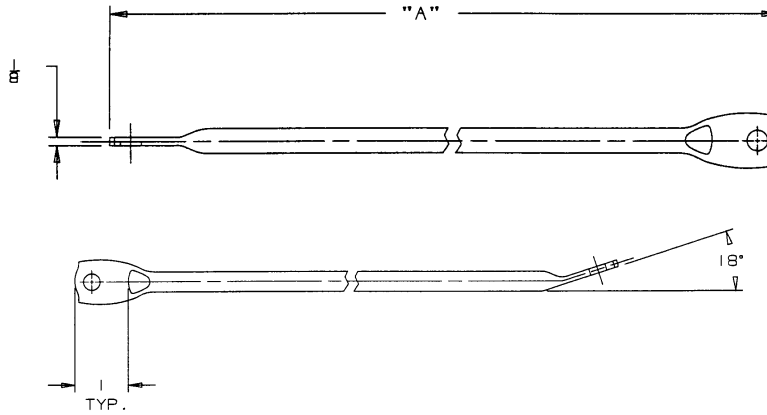


Part No.	Description
65005429	Brace - Mirror (Short End 15° Bend)



Part No.	Description
65005430	(Long End 15° Bend)

## Braces



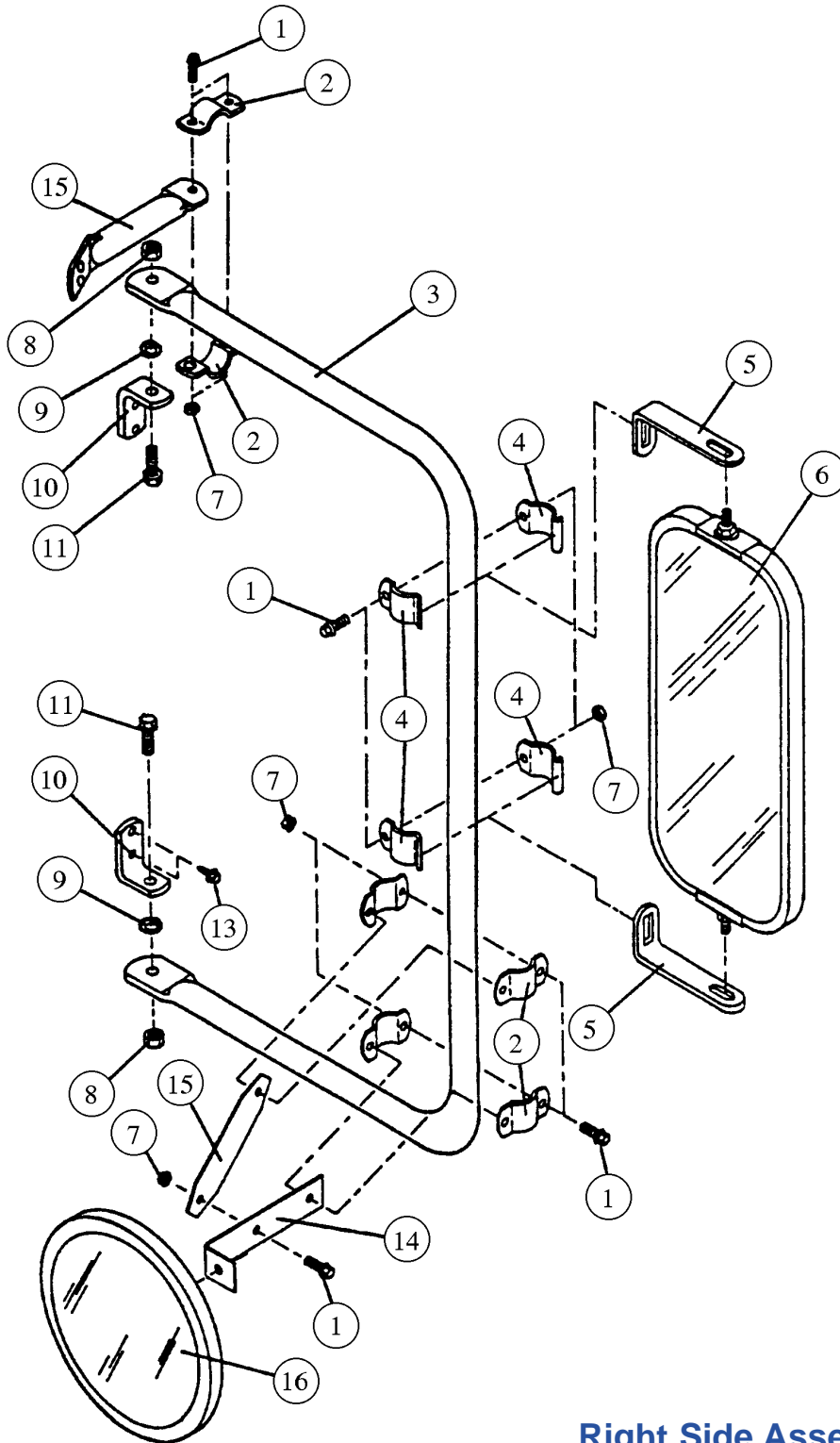
Part No.	Description
65005610	Brace - Arm, Mirror - 19 1/8" Long
65005611	Brace - Arm, Mirror - 23 1/8" Long



Part No.	Description
65005627	Brace - Arm, Mirror, Right Side, Upper, Vista - 14 19/32" Long
65004992	Brace - Arm, Mirror - 6 11/16" Long
65001142	Brace - Mirror, Door Side - 7" Long
65005636	Brace - Arm, Mirror, Left Side, Lower, Vista - 8 15/16" Long
65005640	Brace - Arm, Mirror, Right Side, Lower, Vista - 8 15/16" Long
65008213	Brace - Mirror Arm, Lower Right Side, Conventionals - 8 1/2" Long

# MIRRORS

## 7" x 16" Assembly W/ 8" Convex



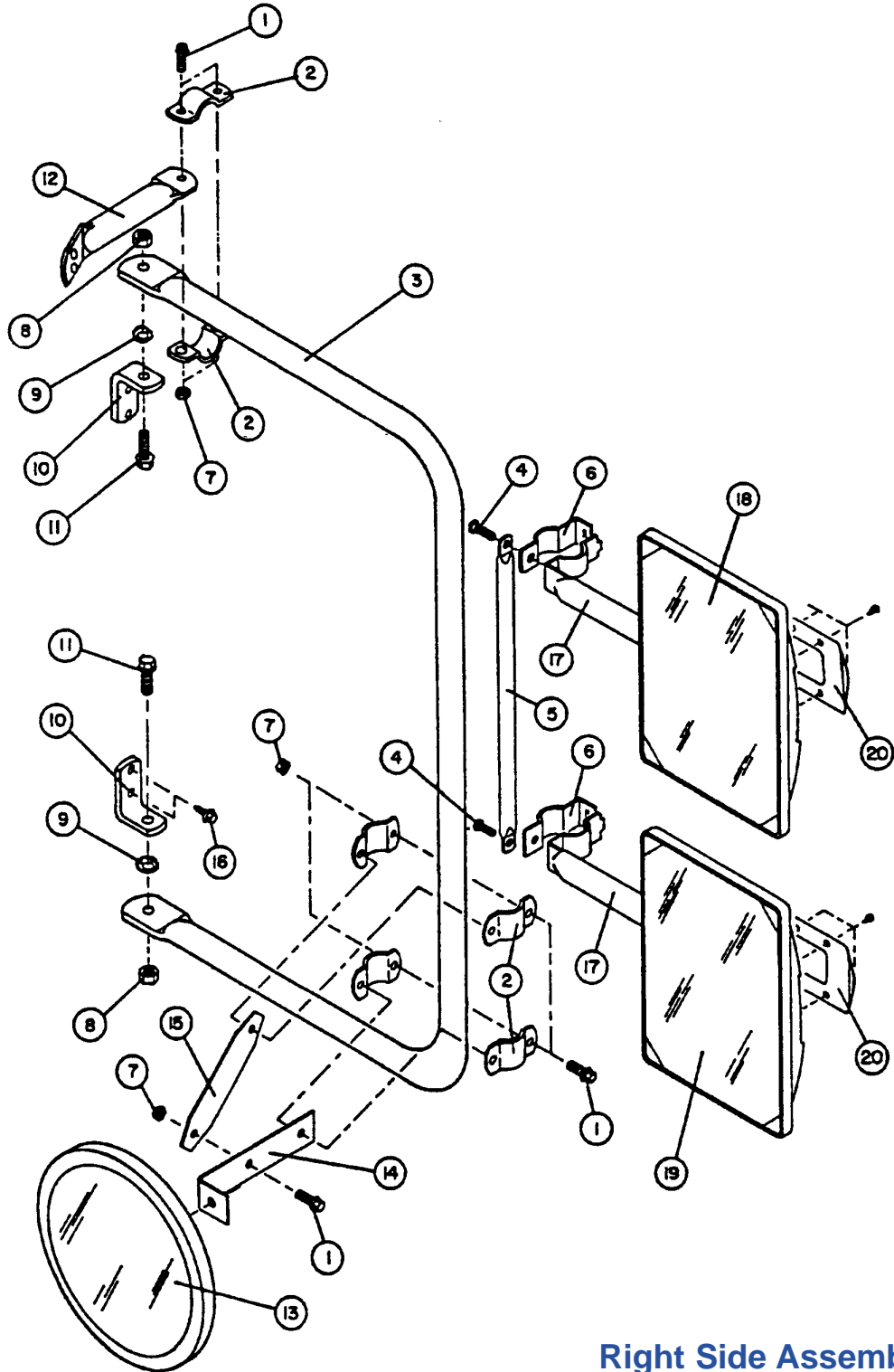
Right Side Assembly Shown

## 7" x 16" Assembly W/ 8" Convex

Item No.	Part No.	Qty.	Description
1	29890014	9	Bolt - Flange, 1/4" - 20 x 7/8", Whizlock
	69001061	9	Bolt - Flange, 1/4" - 20 x 7/8", Serrated, Stainless Steel
2	25163374	2	Clamp - Brace, Mirror
3		1	<b>Refer to Mirror Arm Chart on page 5.4.</b>
4	25155374	4	Clamp - Brace, Mirror
5	25156374	2	Angle - Mounting, Mirror, 6" x 16"
6	25101375	1	Mirror - Clear, 7" x 16"
	65000374	1	Mirror - Clear, 7" x 16", Heated
7	29940030	9	Nut - Lock, 1/4" - 20, Twin Whizlock
	69004051	9	Nut - Lock, Flange, 1/4" - 20, Stainless Steel
8	29940031	2	Nut - Hex, 5/16" - 18, Twin Whizlock
	69004052	2	Nut - Lock, 5/16" - 18, Stainless Steel
9	27138485	2	Washer - Lock, External, 5/16"
10	25166374	2	Angle - Mounting, Mirror Bracket
11	29890015	2	Bolt - Flange, 5/16" - 18 x 3/4", Whizlock
	69001023	2	Bolt - Hex, 5/16" - 18 X 3/4", Stainless Steel
12	65004992	1	Brace - Mirror, 5 1/2", 45 <sup>0</sup>
	25164374	1	Brace - Mirror, 5 1/2", 30 <sup>0</sup>
13	69003017	6	Bolt - Flange, Tapping, 1/4" x 1"
	69003054	6	Screw - Tapping, Hex, 1/4" x 1", Stainless Steel
14	25166374	1	Angle - Mounting, Mirror Bracket
15	25167374	1	Brace - Crossview
16	65000693	1	Head - Mirror, 8" Convex

# MIRRORS

## 7" X 10" Double Nickel Assembly



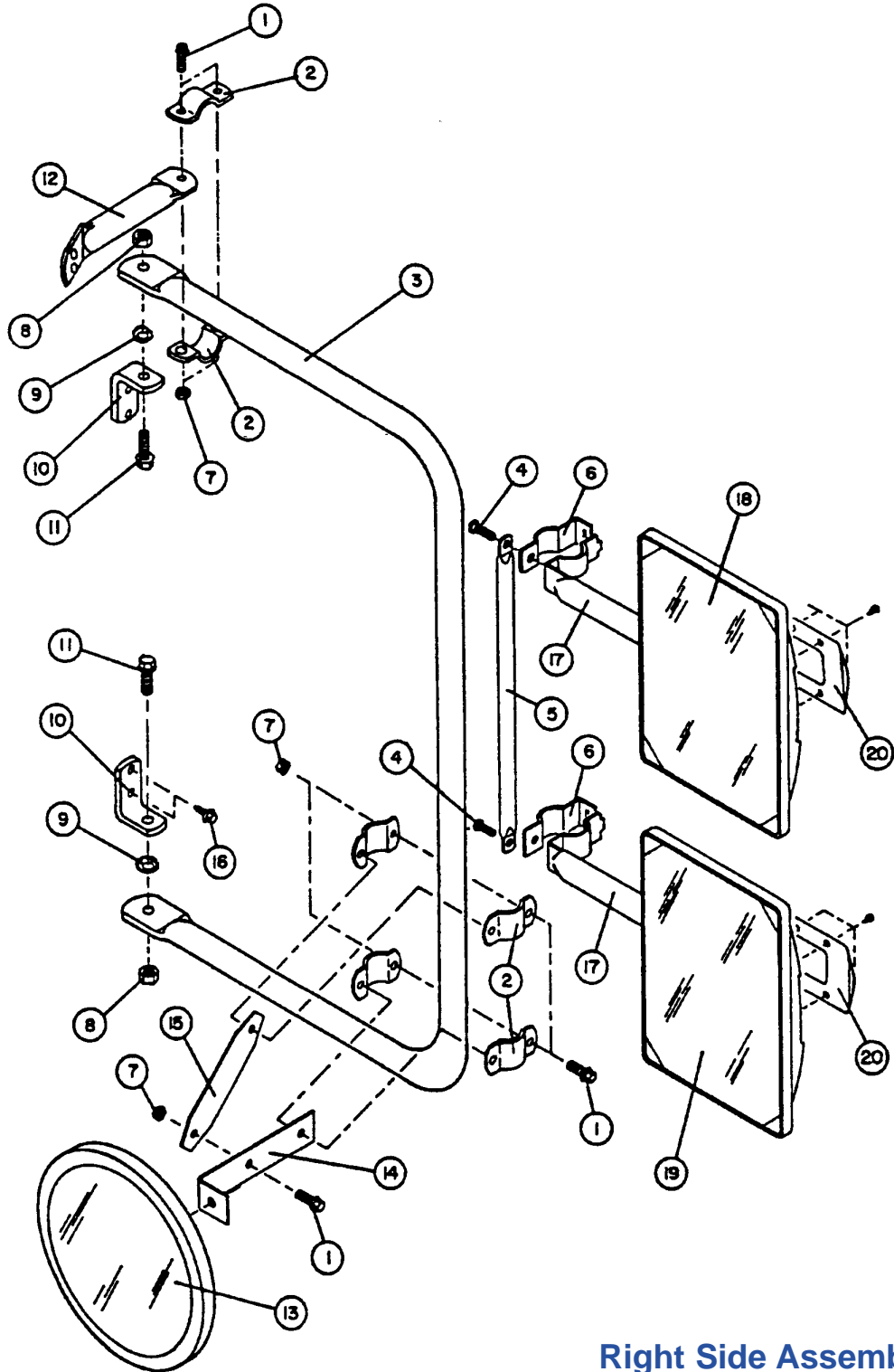
Right Side Assembly Shown

## 7" X 10" Double Nickel Assembly

Item No.	Part No.	Qty.	Description
1	69001061	7	Bolt - Flange, 1/4" - 20 x 7/8", Serrated, Stainless Steel
	29890014	7	Bolt - Flange, 1/4" - 20 x 7/8", Whizlock
2	25163374	2	Clamp - Brace, Mirror
3			<b>Refer to Mirror Arm Chart on page 5.4.</b>
4a	85650075	2	Bolt - Hex, 5/16" - 18 x 7/8"
5a	85650074	1	Bar - Torsion, 3/8" Diameter
6a	85650072	2	Clamp - 1" Tube
	85650073	2	Clamp - 3/4" Tube
7	29940030	4	Nut - Lock, 1/4" - 20, Twin Whizlock
	69004051	4	Nut - Lock, Flange, 1/4" - 20, Stainless Steel
8	29940031	2	Nut - Hex, 5/16" - 18, Twin Whizlock
	69004052	2	Nut - Lock, 5/16" - 18, Stainless Steel
9	27138485	2	Washer - Lock, External, 5/16"
10	25166374	2	Angle - Mounting, Mirror Bracket
11	29890015	2	Bolt - Flange, 5/16" - 18 x 3/4", Whizlock
	69001023	2	Bolt - Hex, 5/16" - 18 x 3/4", Stainless Steel
12	25164374	1	Brace - Mirror, 5 1/2", 30°
	65004992	1	Brace - Mirror, 5 1/2", 45°
13	65000693	1	Head - Mirror, 8" Convex
14	25166374	1	Angle - Mounting, Mirror Bracket
15	25167374	1	Brace - Crossview
16	69003017	6	Bolt - Flange, Tapping, 1/4" x 1"
	69003054	6	Screw - Tapping, Hex, 1/4" x 1", Stainless Steel
17a	85650076	2	Post - Mirror, 3/4"
18a	85650032	1	Head - Mirror, 7" x 10", Flat
	85650034	1	Head - Mirror, 7" x 10", Flat, Heated
	85650041	1	Glass - Mirror, Flat
19a	85650033	1	Head - Mirror, 7" x 10", Convex
	85650035	1	Head - Mirror, 7" x 10", Convex, Heated
	85650042	1	Glass - Mirror, Convex
20a	85650071	2	Cap - Mirror Head, W/Screws

**a = included in Kits**

## Double Nickel Assembly Kits



Right Side Assembly Shown

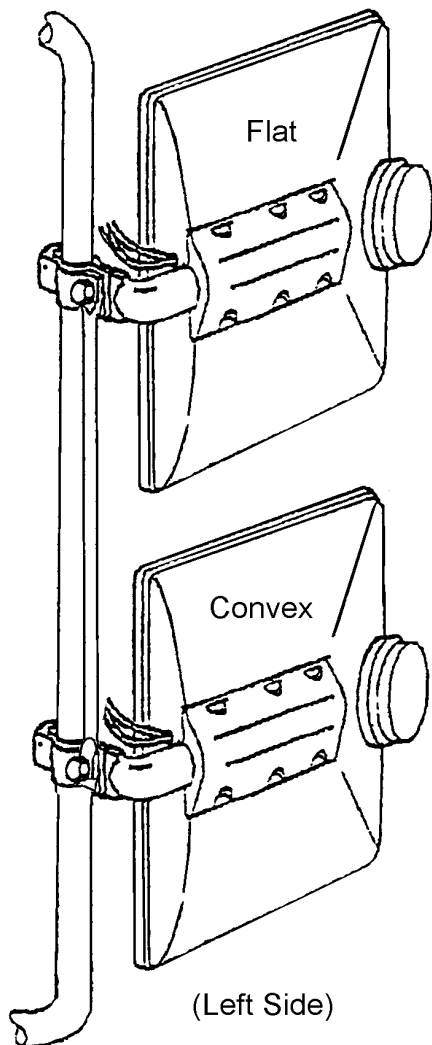


## Double Nickel Assembly Kits

Part No.	Qty.	Description
65002869	1	Kit - Mirror, "Double Nickel", W/ 1" Clamps, Left Side & Right Side
65004259	1	Kit - Mirror, "Double Nickel", W/ 1" Clamps, Left Side & Right Side, Heated
65004550	1	Kit - "Double Nickel" Exterior Mirror, (Heated), W/ 3/4" Tubing
65006359	1	Kit - "Double Nickel", Unheated, W/ Stainless Steel Torsion Rod, Posts, & Clamps For 1" Tubing
65006360	1	Kit - "Double Nickel", Heated, W/ Stainless Steel Torsion Rod, Posts, & Clamps For 1" Tubing
65007819	1	Kit - "Double Nickel", 7 X 10 Heated W/ Marker Lights, (Canada), For 1" Tubing
65009344	1	Kit - "Double Nickel", 7" x 10" Heated (Freightliner) (Mirror Lite)
65011918	1	Kit - "Double Nickel" For 3/4" Tubing (Unheated)
65012248	1	Kit - "Double Nickel" For 3/4" Tubing (Heated) Stainless Steel
81650322	1	Kit - Mirror, 7" x 10", Heated W/ Light (Mirror Lite)
85651650	1	Kit - Mirror Head, Double Nickel W/ Light (Heated) L.S., (1 Convex & 1 Flat) W/ 1" Clamp Head - Mirror, Flat, L.S., 7" x 10", (Heated), W/ Light Head - Mirror, Convex, L.S., 7" x 10", (Heated), W/ Light
85651785		
85651786		
85651651	1	Kit - Mirror Head, Double Nickel W/Light (Heated) R.S., (1 Convex & 1 Flat) W/ 1" Clamp Head - Mirror, Flat, R.S., 7" x 10", (Heated), W/ Light Head - Mirror, Convex, R.S., 7" x 10", (Heated), W/ Light
85651783		
85651784		
65007037	1	Kit - Mirror , Rear View, Double Nickel on Extended Brackets (pair) Freightliner Bracket - Mirror, C Arm LS, 1" OD Freightliner Bracket - Mirror, C Arm 1" OD, RS, Freightliner
85651051		
85651052		

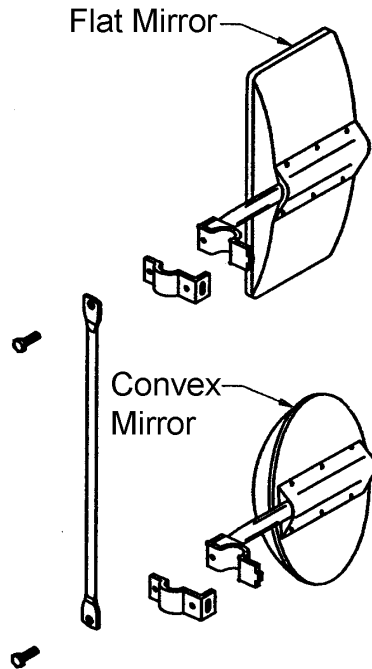
Part No.	Qty.	Description
65007761	1	Kit - "Double Nickel", 10" x 10" Heated, W/ Marker Lights, for 1" Tubing (Canada)
65007811	1	Kit - Rearview, "Double Nickel", 10 x 10 Heated (Pair), W/ Market Lights (Canada)
65012255	1	Kit - "Double Nickel", 10" x 10" Unheated, W/ Marker Lights, for 3/4" Tubing (Canada)
65012256	1	Kit - "Double Nickel", 10" x 10" Heated, W/ Marker Lights, for 3/4" Tubing (Canada)

## Double Nickel Assembly - 10" x 10"



Part No.	Description
85651754	Head - Mirror, 10" x 10", Heated W/ Marker Light, R.S., W/ 1" Clamp, Flat Glass (Mirror Lite)
85651756	Head - Mirror, 10" x 10", Heated W/ Marker Light, L.S., W/ 1" Clamp, Flat Glass (Mirror Lite)
85651758	Head - Mirror, 10" x 10", Non-Heated W/ Marker Light, R.S., W/ 1" Clamp, Flat Glass (Mirror Lite)
85651760	Head - Mirror, 10" x 10", Non-Heated W/ Marker Light, L.S., W/ 1" Clamp, Flat Glass (Mirror Lite)
85651755	Head - Mirror, 10" x 10", Heated W/ Marker Light, R.S., W/ 1" Clamp, Convex Glass (Mirror Lite)
85651757	Head - Mirror, 10" x 10", Heated W/ Marker Light, L.S., W/ 1" Clamp, Convex Glass (Mirror Lite)
85651759	Head - Mirror, 10" x 10", Non-Heated W/ Marker Light, R.S., W/ 1" Clamp, Convex Glass (Mirror Lite)
85651761	Head - Mirror, 10" x 10", Non-Heated W/ Marker Light, L.S., W/ 1" Clamp, Convex Glass (Mirror Lite)
85651752	Glass - Mirror, Flat, 10" x 10", Non-Heated (Mirror Lite)
85651753	Glass - Mirror, Convex, 10" x 10", Non-Heated (Mirror Lite)
85651861	Element - Heating, W/ Wires For 10" x 10", Flat & Convex Heated Mirrors (Mirror Lite)
85650915	Lens - Amber, Mirror Light (Mirror Lite)
85651835	Mounting Post - Mirror, 1" Dia, Stainless Steel (Mirror Lite)
85651834	Mounting Clamp - Tube, 1"Od Tube, Stainless Steel (Mirror Lite)
65007811	Kit - Double Nickel Rearview, 10" x 10" Heated W/ Marker Lights (Freightliner) (Mirror Lite)
85651754	Head - Mirror, 10" x 10", Heated W/ Marker Light, R.S., W/ 1" Clamp, Flat Glass (Mirror Lite)
85651756	Head - Mirror, 10" x 10", Heated W/ Marker Light, L.S., W/ 1" Clamp, Flat Glass (Mirror Lite)
85651755	Head - Mirror, 10" x 10", Heated W/ Marker Light, R.S., W/ 1" Clamp, Convex Glass (Mirror Lite)
85651757	Head - Mirror, 10" x 10", Heated W/ Marker Light, L.S., W/ 1" Clamp, Convex Glass (Mirror Lite)
85652003	Bracket - Mirror (Canada) L.S., Handle Type, 1"O.D., W/O Heads (Freightliner) (Mirror Lite)
85652004	Bracket - Mirror (Canada) R.S., Handle Type, 1"O.D., W/O Heads (Freightliner) (Mirror Lite)

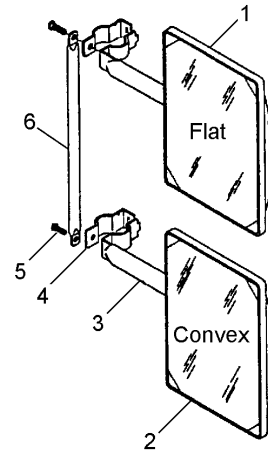
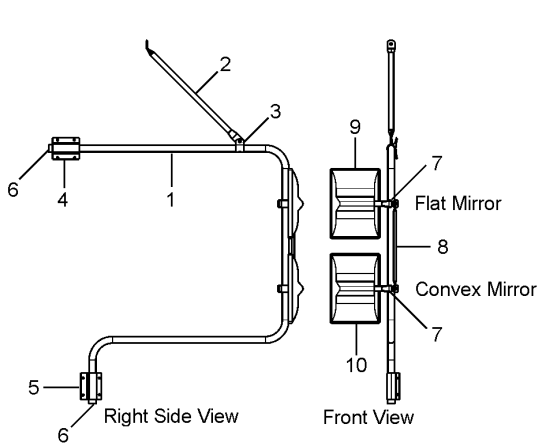
## Mirror Kits - 7" x 10" Flat w/ 8" Convex Kit



### Rearview Mirror Kits - 7" x 10" Flat w/ 8" Convex

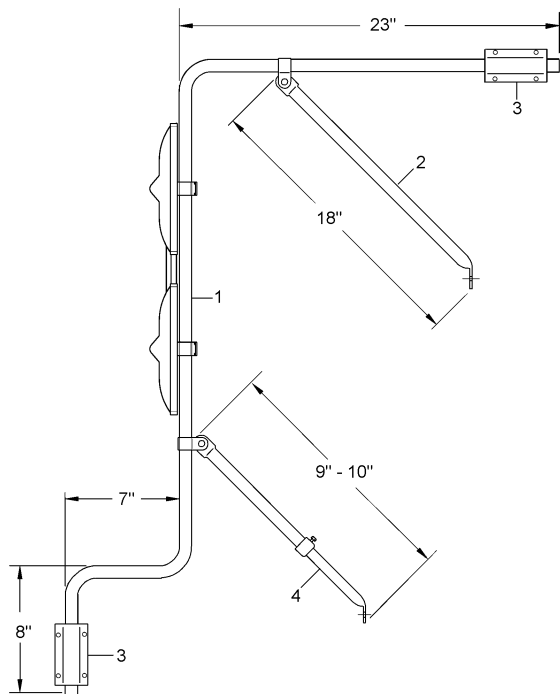
Part No.	Description
65006013	Kit - Mirror, 7 X 10" Flat W/ 8" Convex, Non-Heated, For 1" Tubing
65006014	Kit - Mirror, 7 X 10" Flat W/ 8" Convex, Heated, For 1" Tubing
65006015	Kit - Mirror, 7 X 10" Flat W/ 8" Convex, Non-Heated, For 3/4" Tubing
65006016	Kit - Mirror, 7 X 10" Flat W/ 8" Convex, Heated, For 3/4" Tubing
65006017	Kit - Mirror, 7 X 10" Flat W/ 8" Convex, Non-Heated, For 1" Tubing, Stainless Steel
65006018	Kit - Mirror, 7 X 10" Flat W/ 8" Convex, Heated, For 1" Tubing, Stainless Steel
65006019	Kit - Mirror, 7 X 10" Flat W/ 8" Convex, Non-Heated, For 3/4" Tubing, Stainless Steel
65006020	Kit - Mirror, 7 X 10" Flat W/ 8" Convex, Heated, For 3/4" Tubing, Stainless Steel
80650032	Head - Mirror, Double Nickel, Flat Glass
80650034	Head - Mirror, Double Nickel, Heated Flat Glass
65006319	Mirror - 8" Dia. Convex for 1" Tubing

## Double Nickel Mirror Kit



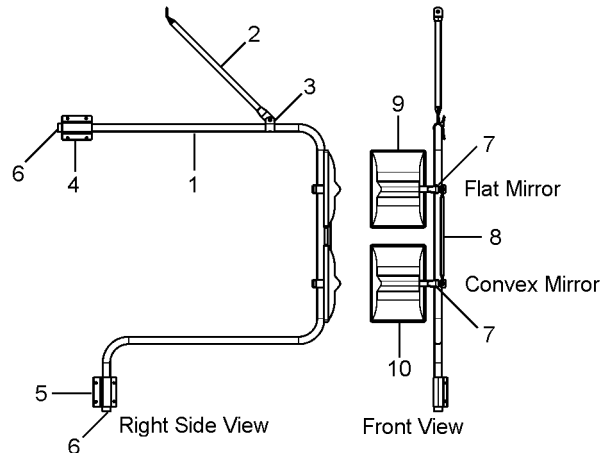
Item No.	Part No.	Description
	80650281	Kit – Mirror, R.S. (Double Nickel)
1	85652086	Arm - Mirror, R.S., W/ Feet & Braces, Complete Less Mirror Heads
2	85652087	Brace - X Flat, 36"
3	85650968	Foot - Mounting, Mirror Arm
4	85651871	Brace - Adjustable, Mirror Arm

Item No.	Part No.	Description
1	85651000	Head - Mirror W/ 3/4" Post, Flat Glass, Double (Mirror Lite)
2	85651001	Head - Mirror W/ 3/4" Post, Convex Glass, Double (Mirror Lite)
3	85650076	Post - Mirror, 3/4"
4	85650073	Clamp - Tube, Mounting, 3/4" OD Tube
5	85650075	Bolt - Hex, 5/16"-18 x 7/8"
6	85650074	Bar - Torsion, 3/8" Diameter



Item No.	Part No.	Description
	80650282	Kit – Mirror, L.S. (Double Nickel)
1	85652084	Arm - Mirror, R.S., W/ Feet & Braces, Complete Less Mirror Heads
2	85652085	Brace - X Flat, 18"
3	85650968	Foot - Mounting, Mirror Arm
4	85651871	Brace - Adjustable, Mirror Arm

## Double Nickels On Extended Arms (Freightliner)



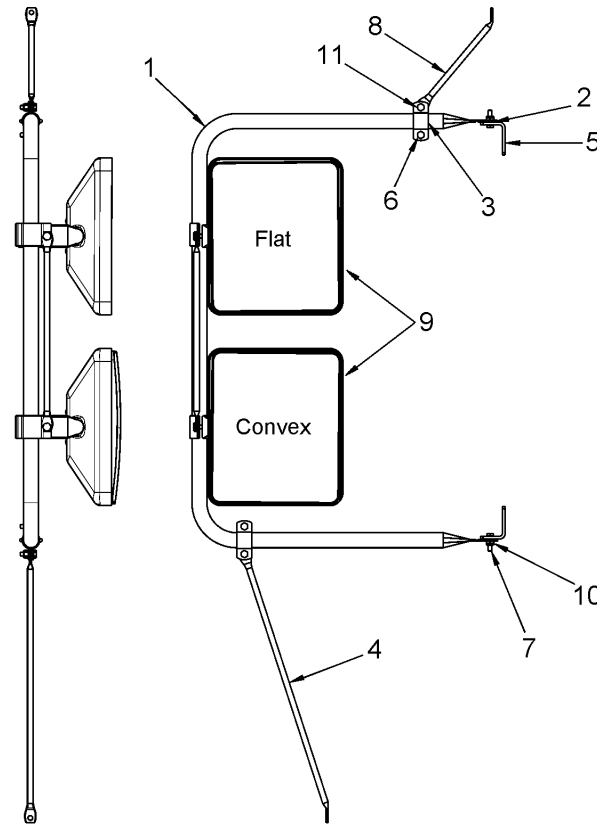
Item No.	Part No.	Description	Item No.	Part No.	Description
	65007037	Mirror Kit - Rear View, Double Nickels On Extended Brackets (Pair)		65007207	Mirror Kit - Rear View, Heated, Double Nickels On Extended Brackets (Pair)
1	85651051	Bracket - Mirror, C Arm, L.S., 1" OD	1	85651051	Bracket - Mirror, C Arm, L.S., 1" OD
	85651052	Bracket - Mirror, C Arm, R.S., 1" OD (Shown)		85651052	Bracket - Mirror, C Arm, R.S., 1" OD (Shown)
2	85651053	Bracket - Brace Support, 23-5/8", C Arm To Bus	2	85651053	Bracket - Brace Support, 23-5/8", C Arm To Bus
	85650993	Bolt - Stainless Steel, 5/16-18 X 5/8", 3/4" Mirror Tubing		85650993	Bolt - Stainless Steel, 5/16-18 X 5/8", 3/4" Mirror Tubing
3	85651054	Clamp - 1" Brace To C Arm	3	85651054	Clamp - 1" Brace To C Arm
4	85651055	Foot - Mounting, Mirror Arm, 1" Extended Mirror Brackets	4	85651055	Foot - Mounting, Mirror Arm, 1" Extended Mirror Brackets
5	85652059	Base - Mirror, Aluminum Curved, 8" Radius, 1" Diameter	5	85652059	Base - Mirror, Aluminum Curved, 8" Radius, 1" Diameter
6	85652060	1" Plastic Tubing Closure	6	85652060	1" Plastic Tubing Closure
7	85650526	Post - Mirror, 1" Diameter	7	85650526	Post - Mirror, 1" Diameter
	85650072	Clamp - Tube, 1" Od Tube, Mounting, Double Nickel Mirror		85650072	Clamp - Tube, 1" Od Tube, Mounting, Double Nickel Mirror
8	85650074	Bar - Torsion, 3/8" Diameter	8	85650074	Bar - Torsion, 3/8" Diameter
	85650994	Bolt - Stainless Steel, 5/16-18 X 3/4", 3/4" Mirror Tubing		85650994	Bolt - Stainless Steel, 5/16-18 X 3/4", 3/4" Mirror Tubing
9	85650032	Head - Mirror, Double Nickel, Flat Glass	9	85650034	Head - Mirror, Double Nickel, Flat Glass, Heated
10	85650033	Head - Mirror, Double Nickel, Convex Glass	10	85650035	Head - Mirror, Double Nickel, Convex Glass, Heated
				65004259	Kit - "Double Nickel" Exterior Mirror, (Heated), W/ 1" Clamps

## Double Nickel Kits

### Minotour - GM Flat Floor

Part No.	Description
65012241	Mirror Kit, Rearview, Non-Heated, 7" X 10" Double Nickel
80650309	Mirror Bracket Asm., LS, Ford DRW Minotour
65008016	Arm - Mirror, Asm, Rearview, RS, Ford Minotour
65011918	Kit - Double Nickel for 3/4" Tubing (Unheated)
65012242	Mirror Kit, Rearview, Heated, 7" X 10" Double Nickel
80650309	Mirror Bracket Asm., LS, ford DRW Minotour
65008016	Arm - Mirror, Asm, Rearview, RS, Ford Minotour
65004550	Kit - Dougle Nickel Exterior Mirror (Heated, w/ 3/4" Tubing
65012243	Mirror Kit, Rearview, Heated, 7" X 10" Stainless Steel Double Nickel
65012250	Mirror Bracket Asm., LS, Stainless Steel GM Flat Floor Minotour
65012251	Mirror Bracket Asm., RS, Stainless steel, GM Flat Floor Minotour
65012248	Kit - Double Nickel for 3/4" Tubing (Heated) Stainless Steel
65012244	Mirror Kit, Rearview, Non-Heated, 10" X 10" Double Nickel
80650309	Mirror Bracket Asm., LS, ford DRW Minotour
65008016	Arm - Mirror, Asm, Rearview, RS, Ford Minotour
65012255	Kit - Double Nickel Canadian (10" X 10" w/ Market Lights) for 3/4" Tubing, Unheated
65012245	Mirror Kit, Rearview, Heated, 10" X 10" Double Nickel
80650309	Mirror Bracket Asm., LS, ford DRW Minotour
65008016	Arm - Mirror, Asm, Rearview, RS, Ford Minotour
65012256	Kit - Double Nickel Canadian (10" X10" w/ Marker Lights) for 3/4" Tubing, Heated
65012246	Mirror Kit, Rearview, Non-Heated, 7" X 16" W/8" Convex Double Nickel
80650309	Mirror Bracket Asm., LS, ford DRW Minotour
65008016	Arm - Mirror, Asm, Rearview, RS, Ford Minotour
65012257	Mirror Head, 7" X 16" Mon-Heated, Cats Paw w/ Clamps for 3/4" Dia. Tubing
65006708	Mirror - 8" Dia. Convex, w/ Mounting Clamp for 3/4" Dia. Tubing
65012247	Mirror Kit, Rearview, Heated, 7" X 16" W/8" Convex Double Nickel
80650309	Mirror Bracket Asm., LS, ford DRW Minotour
65008016	Arm - Mirror, Asm, Rearview, RS, Ford Minotour
65012258	Mirror Head, 7" X 16" Heated, Cats Paw w/ Clamps for 3/4" Dia. Tubing
65006709	Mirror - 8" dia. convex, Heated, Clamp for 3/4" Tubing

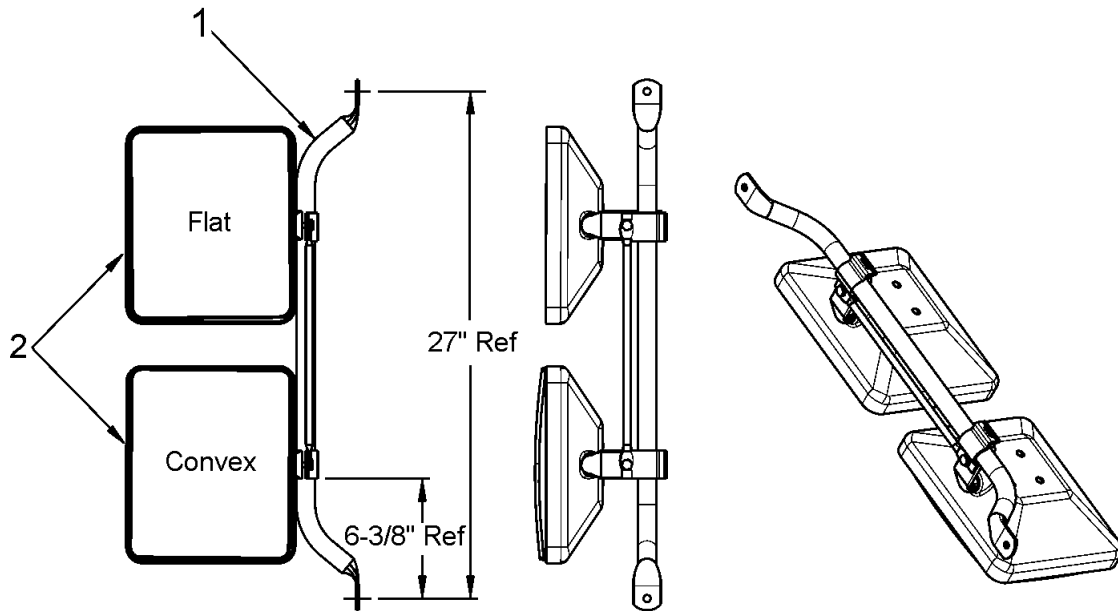
## Heated Super Nickel Assembly (Thomas Brackets) Right Side, MVP-EF



Items	Part No.	Qty.	Description
	65011890		Mirror Assembly, Rearview, R.S., Heated Super Nickel On Thomas Brackets
1	25157374	1	Bracket - Mirror, 1" OD x 67" (16ga.)
2	27138485	2	Washer - External Lock, 5/16"
3	25163374	4	Clamp - Brace, 6" x 16" Mirror, 14ga. x 1" x 2-7/8 "
4	65005610	1	Brace - Mirror, Arm, Lower R.S., (Door Side), (19-1/8")
5	25166374	2	Angle - Mounting, Crossview & Main Mirror, 3/16" x 1" x 3-3/4"
6	69001061	4	Bolt - 1/4"-20 x 7/8" Stainless Serrated Hex Flange
7	69001023	2	Bolt - 5/16"-18 x 3/4", Stainless Steel
8	65008213	1	Brace - Mirror Arm, Lower, Right Side
9	65011867	.5	Kit - Mirror, Heated Super Nickel
10	69004052	2	Nut - Lock, 5/16"-18, Stainless Steel
11	69004051	4	Nut - Lock, 1/4"-20, Stainless Steel

# MIRRORS

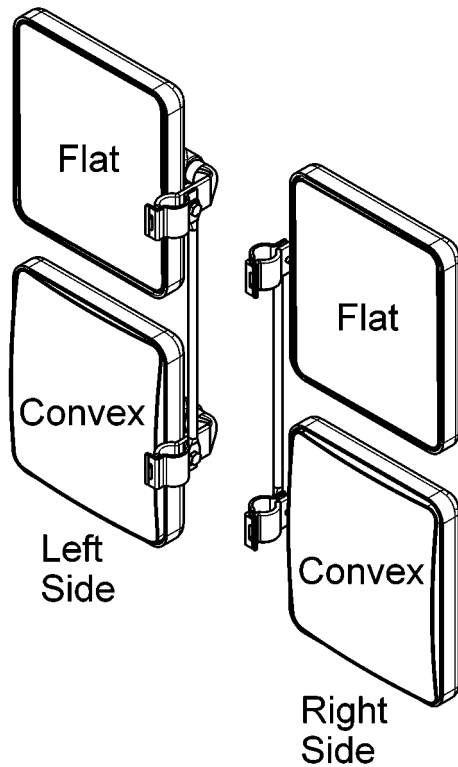
## Heated Super Nickel On Handle Bracket Left Side, MVP-EF



Item No.	Part No.	Qty.	Description
	65011889		Mirror Assembly, Rearview, L.S., Heated Super Nickel On Handle Brackets
1	65008179	1	Arm - Mirror, Rearview, L.S., Handle Type
2	65011867	.5	Kit - Mirror, Heated Super Nickel Rearview



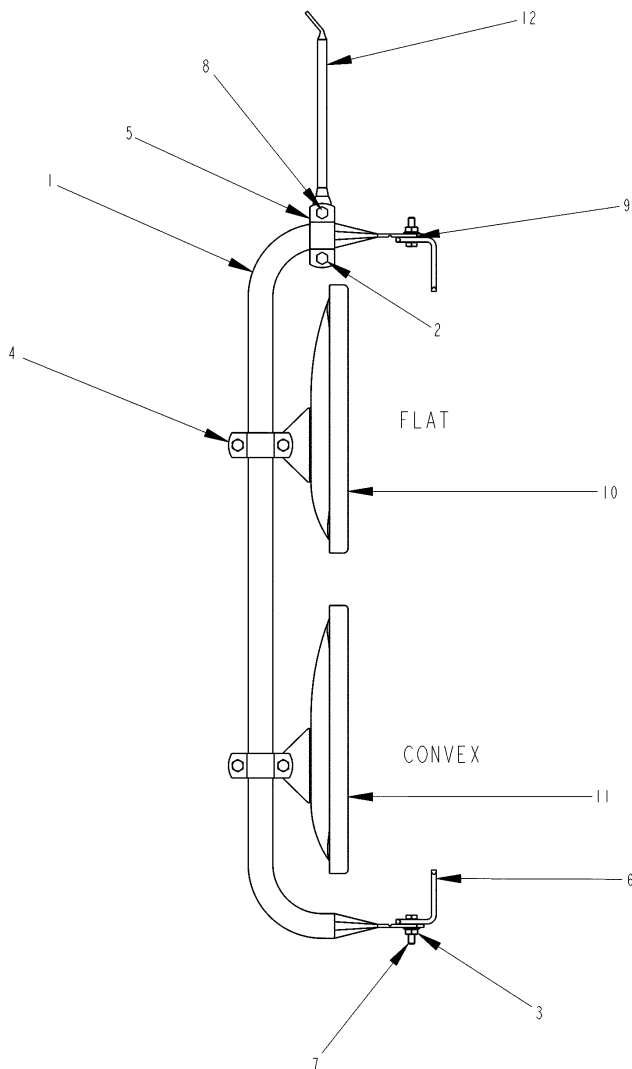
## Super Nickel Mirror Kits



Part No.	Vendor No.	Description
65011866	ML 151-10	Mirror Kit - Rearview, Super Nickel, Non-Heated, Manually Adjustable, 1" Clamps
	ML 143-10	Mirror Head, Flat, Non-Heated, Manually Adjustable (Left Or Right Side)
	ML 153-50	Mirror Head, Convex, Non-Heated, Manually Adjustable (Left Side)
	ML 155-50	Mirror Head, Convex, Non-Heated, Manually Adjustable (Right Side)
65011867	ML 151-20	Mirror Kit - Rearview, Super Nickel, Heated, Manually Adjustable, 1" Clamps
	ML 143-20	Mirror Head, Flat, Heated, Manually Adjustable (Left Or Right Side)
	ML 153-60	Mirror Head, Convex, Heated, Manually Adjustable (Left Side)
	ML 155-60	Mirror Head, Convex, Heated, Manually Adjustable (Right Side)
65011868	ML 151-30	Mirror Kit - Rearview, Super Nickel, Non-Heated, Remote Controlled, 1" Clamps
	ML 143-30	Mirror Head, Flat, Non-Heated, Remote Controlled (Left Side)
	ML 145-30	Mirror Head, Flat, Non-Heated, Remote Controlled (Right Side)
	ML 153-70	Mirror Head, Convex, Non-Heated, Remote Controlled (Left Side)
	ML 155-70	Mirror Head, Convex, Non-Heated, Remote Controlled (Right Side)
65011869	ML 151-40	Mirror Kit - Rearview, Super Nickel, Heated, Remote Controlled, 1" Clamps
	ML 143-40	Mirror Head, Flat, Heated, Remote Controlled (Left Side)
	ML 145-40	Mirror Head, Flat, Heated, Remote Controlled (Right Side)
	ML 153-80	Mirror Head, Convex, Heated, Remote Controlled (Left Side)
	ML 155-80	Mirror Head, Convex, Heated, Remote Controlled (Right Side)
	ML 140-1	Glass - Flat, Non-Heated
	ML 140-2	Glass - Flat, Heated
	ML 145-1	Glass - Convex, Non-Heated
	ML 145-2	Glass - Convex, Heated

# MIRRORS

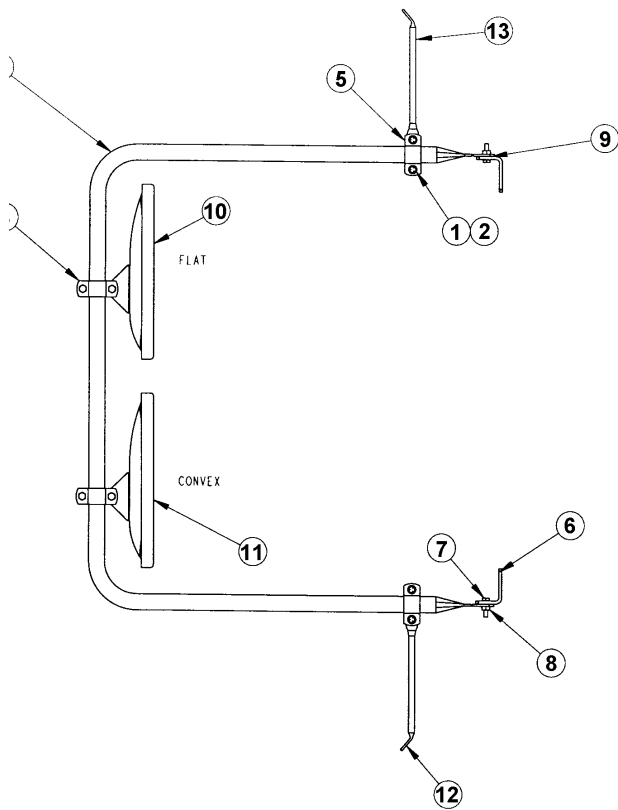
## Dynamic Duo Assembly - Conventional



Items	Part No.	Qty.	Description
	65006980	1	Mirror Asm. - Rearview, Dynamic Duo 1" Tubing, Left Side Driver's Side
1	25158374	1	Mirror Arm, Rearview
2	69001951	2	Bolt, 1/4-20 x 1" Serrated Flange
3	69004276	2	Nut, 5/16-18, Serrated Flange
4	65006979	2	Clamp - Mirror, For 1" Tubing
5	25163374	2	Clamp - Brace, 6" x 16" Mirror
6	25166374	2	Angle - Mounting, Crossview & Main
7	69001023	2	Bolt-5/16 -18 x 3/4" Serrated Flange
8	69004275	2	Nut, 1/4-20, Serrated Flange
9	27138485	2	Washer - External Tooth
10	65006977	1	Mirror 7-1/2" x 10-1/2" Flat
	RPS 888 1		Glass - Mirror, Flat
11	65006978	1	Mirror 7-1/2" x 10-1/2" Convex
	RPS 888D 1		Glass - Mirror, Convex
12	65004992	1	Brace - Mirror Arm, Lower

Left Side Assembly Shown

## Dynamic Duo Assembly - Conventional



Right Side Assembly Shown

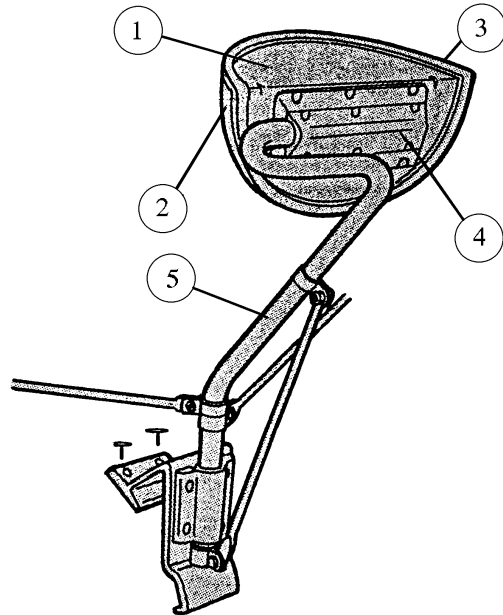
Items	Part No.	Qty.	Description
	65007178	1	Mirror Asm. - Rearview, Dynamic Duo 1" Tubing, Right Side
1	25158374	1	Mirror Arm, Rearview
2	69001951	2	Bolt, 1/4-20 x 1" Serrated Flange
3	69004276	2	Nut, 5/16-18, Serrated Flange
4	65006979	2	Clamp - Mirror, For 1" Tubing
5	25163374	2	Clamp - Brace, 6" x 16" Mirror
6	25166374	2	Angle - Mounting, Crossview & Main
7	69001023	2	Bolt-5/16 -18 x 3/4" Serrated Flange
8	69004275	2	Nut, 1/4-20, Serrated Flange
9	27138485	2	Washer - External Tooth
10	65006977	1	Mirror 7-1/2"x 10-1/2" Flat
	RPS 888 1		Glass - Mirror, Flat
11	65006978	1	Mirror 7-1/2" x 10-1/2" Convex
	RPS 888D 1		Glass - Mirror, Convex
12	65008213	1	Brace - Mirror Arm, Lower
13	65007089	1	Brace - Mirror Arm

## Quadrispherical - Conventional

### Navistar Chassis - 1990 to Present

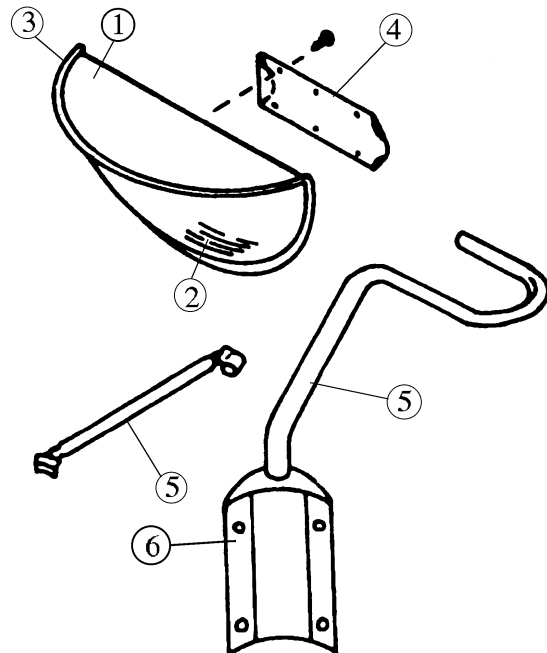
Item No.	Part No.	Description
*	65004331	Mirror - Assembly, Single, Unheated, Right Side
*	65002822	Mirror - Assembly, Single, Unheated, Left Side
1	65002951	Head - Mirror, Quadrispherical
1	85650077	Head - Mirror, Quadrispherical, Heated
2	85650545	Lens, W/ Rubber Gasket
3	85650546	Gasket - Rubber, Lens
4	85650071	Cap - Mirror Head, W/ Screws
5	65004533	Arm and Base - Assembly, Right Side (Includes braces)
5	65004532	Arm and Base - Assembly, Left Side (Includes braces)
	85650547	Kit - Brace
	85650548	Kit - Brace, Stainless Steel
	85650549	Kit - Mounting, Hardware (Includes 6 Screws and 6 Weld Nuts)
	69003011	Screw - Weld Nut, Mounting Bracket
	69004016	Nut - Weld, Mounting Bracket

\*Includes Mirror Head, Arm, Cap, & Base



### Navistar Chassis - Pre 1990

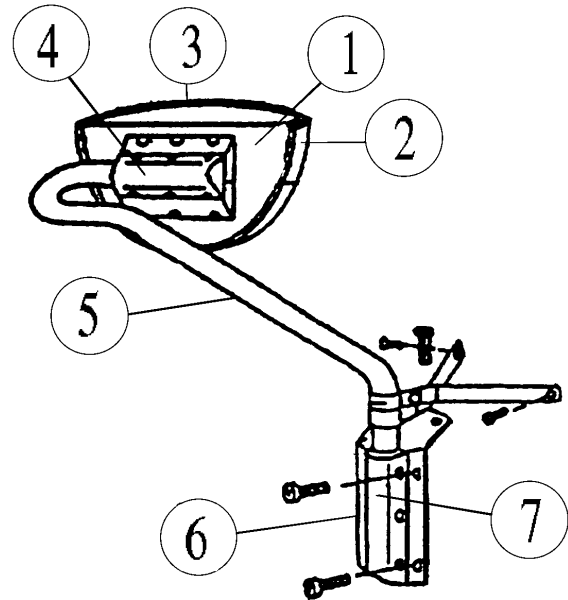
Item No.	Part No.	Description
1	65002951	Head Unheated
1	85650077	Head Heated
2	85650545	Lens W/Rubber Gasket
3	85650546	Gasket - Rubber, Lens
4	85650071	Cap - Mirror Head, W/ Screws
5	65004072	Arm - Navistar
6	65001178	Base - Navistar
	85650547	Kit - Brace
	85650548	Kit - Brace Stainless Steel
	85650549	Kit - Mounting, Hardware (Includes 6 Screws and 6 Weld Nuts)
	69003011	Screw - Weldnut, Mounting Bracket
	69004016	Nut - Weld, Mounting Bracket



## Quadrispherical - Conventional

### Ford Chassis - Pre 1995

Item No.	Part No.	Description
*	65002823	Mirror - Assembly, Pair, Unheated, Single Assembly, Right Side
*	65002824	Mirror - Assembly, Pair, Unheated, Single Assembly, Left Side
1	65002951	Head, Unheated
1	85650077	Head, Heated
2	85650545	Lens, W/ Rubber Gasket
3	85650546	Gasket - Rubber Lens
4	85650071	Cap - Mirror Head, W/ Screws
5	85650550	Arm, Right Side
5	85650551	Arm, Left Side
	85650552	Kit - Support, Braces and Hardware
6	65001176	Base, Right Side
6	65001177	Base, Left Side
7	65001162	Cap - Base, W/ Screws
	85650549	Kit - Mounting, Hardware (Includes 6 Screws and 6 Weld Nuts)
	69003011	Screw - Weldnut, Mounting Bracket
	69004016	Nut - Weld, Mounting Bracket

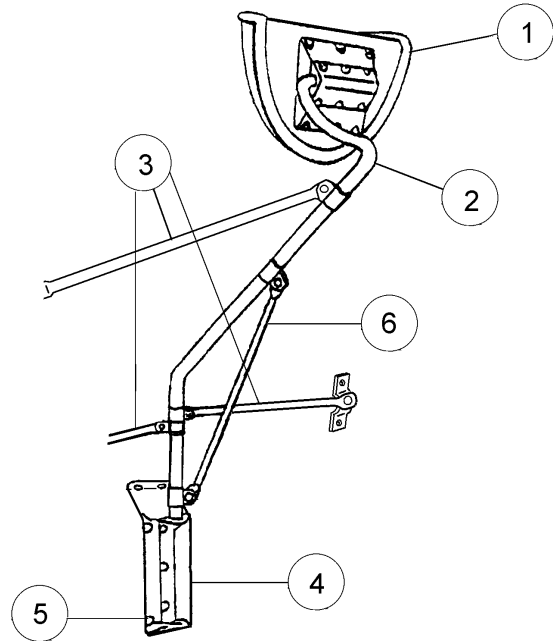


\*Includes Mirror Head, Arm, Cap, & Base

## Quadrispherical - Conventional

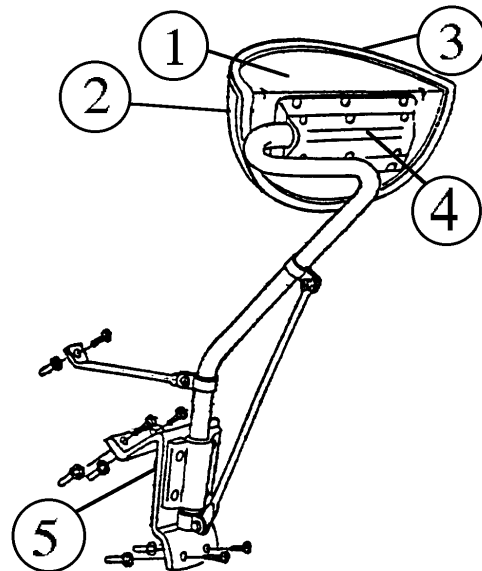
### Freightliner Chassis

Item No.	Part No.	Description
	65007658	Mirror – Assembly, Freightliner Chassis (Pair)
	65007659	Mirror – Assembly, Heated, Freightliner Chassis (Pair)
1	65002951	Mirror - Head, Non Heated
	85650077	Mirror - Head, Heated
2	85651773	Arm, Left
	85651774	Arm, Right
	85651770	Arm & Base Asm., L.S., (Non-Heated)
	85651771	Arm & Base Asm., R.S., (Non-Heated)
3	85651772	Kit - Support Braces W/Hardware, Pair
	85651900	Kit - Support Braces W/Hardware, 1 Side
4	85651775	Base, Left
	85651776	Base, Right
5	85650549	Weld Nuts
6	85651769	Rod - Support Arm, 20"



### Ford Chassis - 1995 to Present

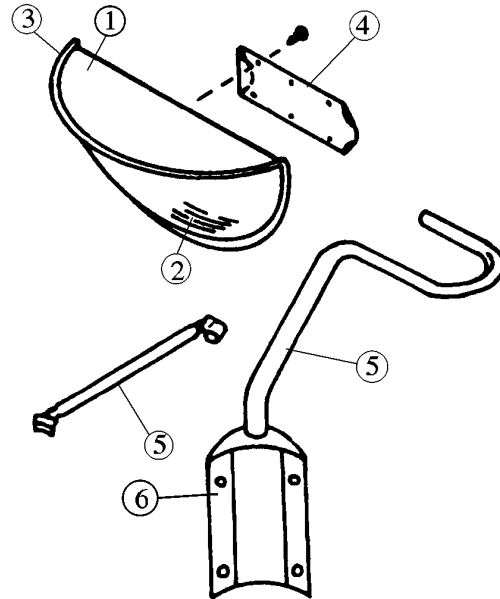
Item No.	Part No.	Description
1	65002951	Head, Unheated
1	85650077	Head, Heated
2	85650545	Lens, W/ Rubber Gasket
3	85650546	Gasket - Rubber, Lens
4	85650071	Cap - Mirror Head, W/ Screws
5	85650791	Base & Arm - Assembly
5	85650792	Base & Arm - Assembly, Stainless Steel
	85650549	Kit - Mounting Hardware (Screws & Weld Nuts)
	69003011	Screw - Weld Nut, Mounting Bracket
	69004016	Nut - Weld, Mounting Bracket



## Quadrispherical - Vista

### Navistar Chassis - Units Built Before March 1994

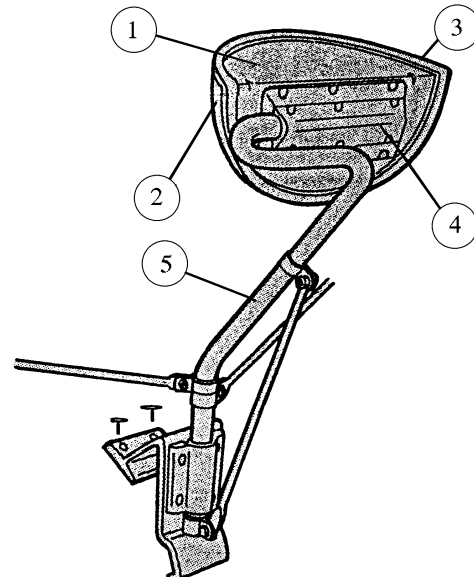
Item No.	Part No.	Description
*	65004331	Mirror - Assembly, Single, Unheated, Right Side
*	65002822	Mirror - Assembly, Single, Unheated, Left
1	65002951	Head, Unheated
1	85650077	Head, Heated
2	85650545	Lens, W/ Rubber Gasket
3	85650546	Gasket - Rubber, Lens
4	85650071	Cap - Mirror Head, W/ Screws
5	65004533	Arm and Base - Assembly, Right Side
5	65004532	Arm and Base - Assembly, Left Side
	65002857	Kit - Brace, Tripod (Includes 3 Braces & Clamps)



\*Includes Mirror Head, Arm, Cap, & Base

### Navistar Chassis - Units Built After March 1994

Item No.	Part No.	Description
1	65002951	Head, Unheated
1	85650077	Head, Heated
2	85650545	Lens, W/ Rubber Gasket
3	85650546	Gasket - Rubber, Lens
4	85650071	Cap - Mirror Head, W/ Screws
5	85650869	Arm and Base - Assembly, Left Side
5	85650870	Arm and Base - Assembly, Right Side

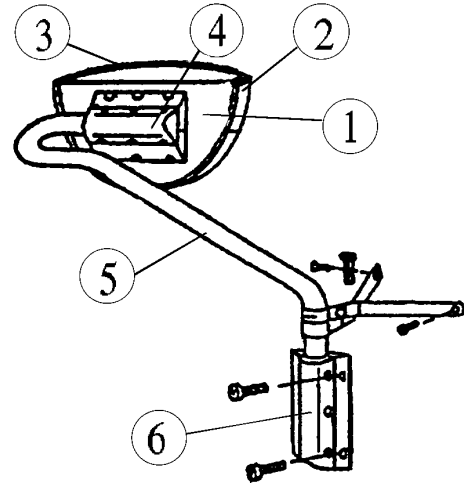


# MIRRORS

## Quadrispherical - Vista

### GM Chassis

Item No.	Part No.	Description
1	65002951	Head, Unheated
1	85650077	Head, Heated
2	85650545	Lens, W/ Rubber Gasket
3	85650546	Gasket - Rubber, Lens
4	85650071	Cap - Mirror Head, W/ Screws
5	65004074	Arm
6	65004077	Base
	65002857	Kit - Brace, Tripod (Includes 3 Braces & Clamps)
	65004532	Arm & Base - Asm., Left Side, #52-5001 LBA, Quad. Mirror, 1190 Navistar
	65004533	Arm & Base - Asm., Right Side, #52-5001 RBA, Quad. Mirror, 1190 Navistar

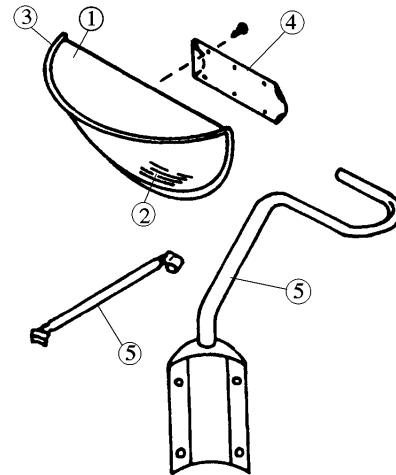




## Quadrispherical - ER, MVP-EF, Minotour

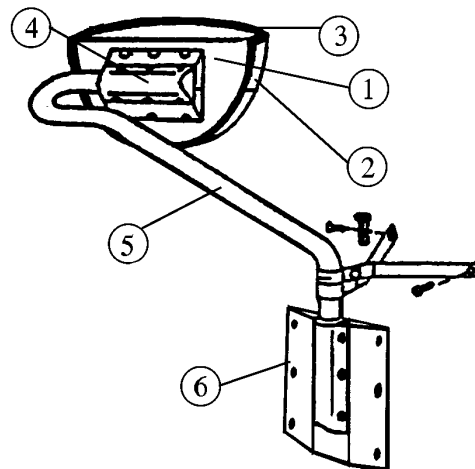
### Saf-T-Liner & MVP-EF

Item No.	Part No.	Description
*	65002827	Mirror - Assembly, Unheated, Single
1	65002951	Head, Unheated
1	85650077	Head, Heated
2	85650545	Lens, W/ Rubber Gasket
3	85650546	Gasket - Rubber, Lens
4	85650071	Cap - Mirror Head, W/ Screws
5	85650078	Arm & Base - Assembly
	85650079	Brace - Arm Support, Assembly

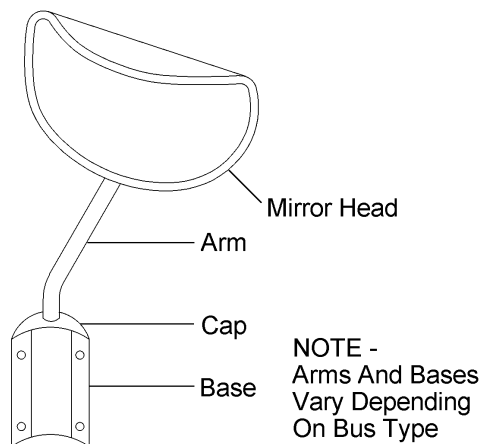


### Minotour

Item No.	Part No.	Description
*	80650315	Mirror - Assembly, Unheated
1	65002951	Head, Unheated
1	85650077	Head, Heated
2	85650545	Lens, W/ Rubber Gasket
3	85650546	Gasket - Rubber, Lens
4	85650071	Cap - Mirror Head, W/ Screws
5	65004071	Arm
6	65001179	Base



## Quadrispherical Mirror Service Parts

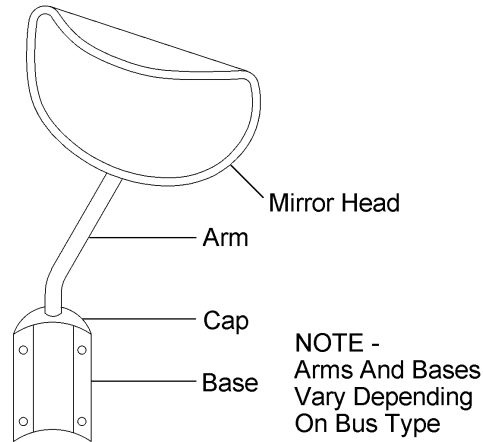


Thomas No.	ML No.	Description	Usage
65002951	52-400	Mirror Head	
65004069	C 18-20-35	Arm	Ford Series Chassis (Pre 1995)
65004070	C 20-38N	Arm	Chev/GMC Series Chassis
65004009	C 20-38-2	Arm, Right Side	Navistar (1990)
65004332	C 20-38-3	Arm, Left Side	Navistar (1990)
65004071	C 18-20-38	Arm	M.M.F.C
65004072	C 20-31	Arm	Navistar (Pre-1990)
65004073	C 18-518	Arm	Pusher
65004074		Arm	Vista
65004075	C 18-350	Arm	Minotaur
65002861	74-3001	Cap	Navistar (1990)
65001162	74-16-11	Cap	All Chassis (Except 1990 Navistar)
65001178	50-896 B	Base	Navistar (Pre-1990)
65002862	18-5001 B	Base	Navistar (1990)
65001176	50-897 B	Base, Right Side	Ford (Pre 1995)
65001177	50-898 B	Base, Left Side	Ford (Pre 1995)
65001179	50-900 B	Base	M.M.F.C
65004076	50-518 B	Base	Pusher
65001336	50-910 B	Base	Chev/GMC
65004077	50-950 BA	Base	Vista
65004078	50-900 B	Base	Minotaur

## Quadr spherical Mirror Service Parts

Thomas No.	ML No.	Description	Usage
<b>Arm &amp; Base Assemblies (Non-Heated)</b>			
65004533	52-5001RBA	Arm & Base Assembly, R.S.	Navistar (1990)
65004532	52-5001LBA	Arm & Base Assembly, L.S.	Navistar (1990)
<b>Complete Single Assemblies (Non-Heated)</b>			
65002821	52-401	Complete Assembly (Non-Heated)	Navistar (Pre-1990)
65004331	52-5002	Complete Assembly, R.S. (Non-Heated)	Navistar (1990)
65002822	52-5003	Complete Assembly, L.S. (Non-Heated)	Navistar (1990)
65002823	52-403	Complete Assembly, R.S. (Non-Heated)	Ford (Pre 1995)
65002824	52-402	Complete Assembly, L.S. (Non-Heated)	Ford (Pre 1995)
65002825	52-404	Complete Assembly (Non-Heated)	Chev/GMC
65002827	52-418	Complete Assembly, L.S. (Non-Heated) (L. S. Cowl Mounted)	Pusher

## Quadr spherical Mirror Service Parts

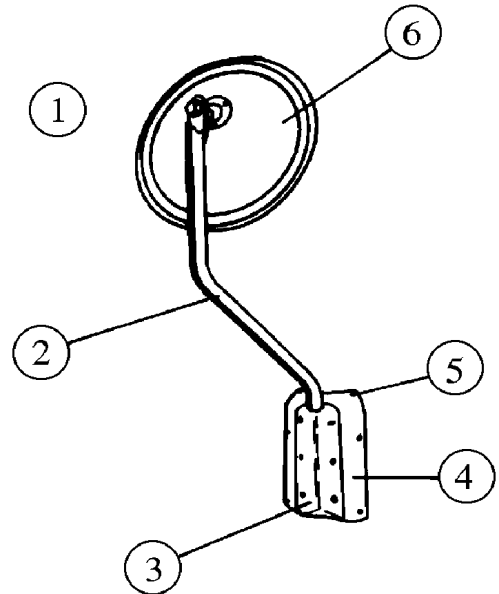


Thomas No.	ML No.	Description	Usage
<b>Assemblies - Pairs (Non-Heated) Per CMVSS.111 (Canadian)</b>			
65007762	52-C 5001	Assembly - Pairs (Non-Heated)	Navistar Conventional
65007781	52-C 5012	Assembly - Pairs (Non-Heated)	Vista
65007767	52-5402	Assembly - Pairs (Non-Heated)	GMC Minotuo
65007658	52-596	Assembly - Pairs (Non-Heated)	Freightliner
65007800	52-C 545	Assembly - Pairs (Non-Heated)	Ford Minotour (DRW)
65007864	52-540	Assembly - Pairs (Non-Heated)	Ford Minotour (SRW)
65007817	52-C 518	Assembly - Pairs (Non-Heated)	MVP-EF/ER
<b>Assemblies - Pairs (Heated) Per CMVSS.111 (Canadian)</b>			
65007760	52-C 6001	Assembly - Pairs (Non-Heated)	Navistar Conventional
65007782	52-C 6012	Assembly - Pairs (Non-Heated)	Vista
65007768	52-6402	Assembly - Pairs (Non-Heated)	GMC Minotuo
65007659	52-696	Assembly - Pairs (Non-Heated)	Freightliner
65007801	52-C 645	Assembly - Pairs (Non-Heated)	Ford Minotour (DRW)
65007865	52-640	Assembly - Pairs (Non-Heated)	Ford Minotour (SRW)
65007818	52-C 618	Assembly - Pairs (Non-Heated)	MVP-EF/ER
65007818	52-C 618 RBA	Assembly - Pairs (Non-Heated)	MVP-EF/ER
65007818	52-C 618 LBA	Assembly - Pairs (Non-Heated)	MVP-EF/ER

## Crossview

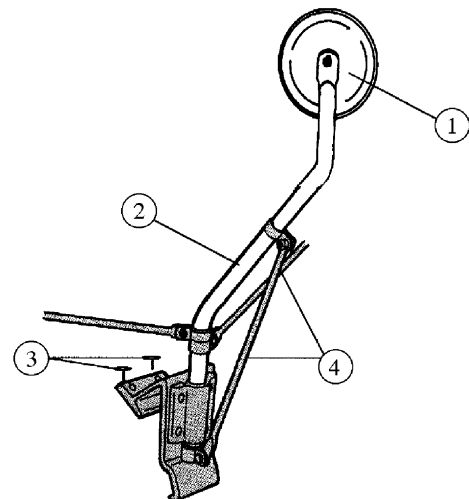
### Ford Conventional

Item No.	Part No.	Qty.	Description
1	65000678	1	Mirror - Crossview, Assembly, W/O Head, Left Side, Ford
	65000679	1	Mirror - Crossview, Assembly, W/O Head, Right Side, Ford
2	85650553	1	Arm - Mirror, Steel Crossview
3	85650071	1	Cap - Mounting, Mirror Head, W/ Screws
4	65001176	1	Base - Mirror, Single Arm, Crossview, Right Side
5	85650549	1	Kit - Mounting, Hardware (Includes 6 Screws & 6 Weld Nuts)
	69003011	AR	Screw - Weld Nut, Mounting Bracket
	69004016	AR	Nut - Weld, Mounting Bracket
6	65000693	1	Head - Mirror, Convex, 8"
	65000296	1	Head - Mirror, Hemispherical, 8"
	65002205	1	Head - Mirror, Hemispherical, 10"



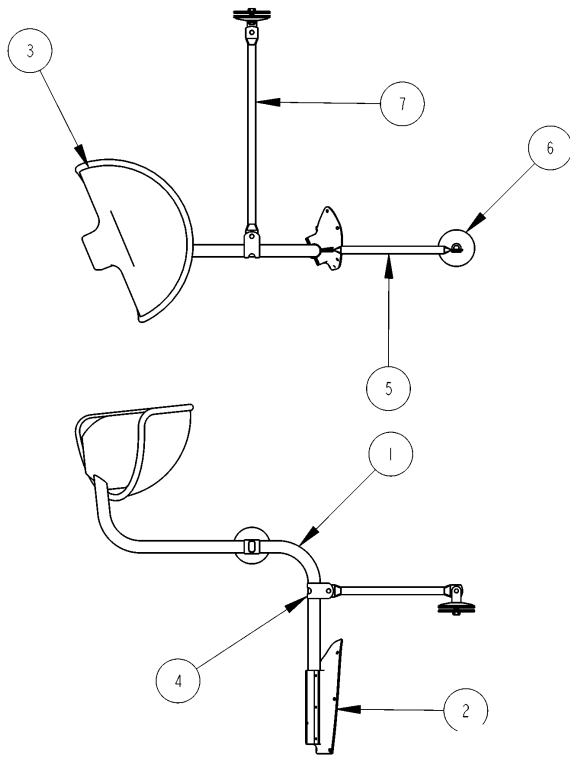
### Navistar Conventional

Item No.	Part No.	Qty.	Description
1	65000693	1	Head - Mirror, Convex, 8" Navistar Conventional
	65000296	1	Head - Mirror, Hemispheric, Navistar Conventional
	65002205	1	Head - Mirror, Hemispheric, 10"
2	65002952	1	Bracket - Mirror, Arm & Base Assembly, Complete
3	85650549	1	Kit - Mounting, Hardware (Includes 6 Screws & 6 Weld Nuts)
	69003011	AR	Screw - Weld Nut, Mounting Bracket
	69004016	AR	Nut - Weld, Mounting Bracket
4	85650547	1	Kit - Brace
	85650548	1	Kit - Brace, Stainless Steel

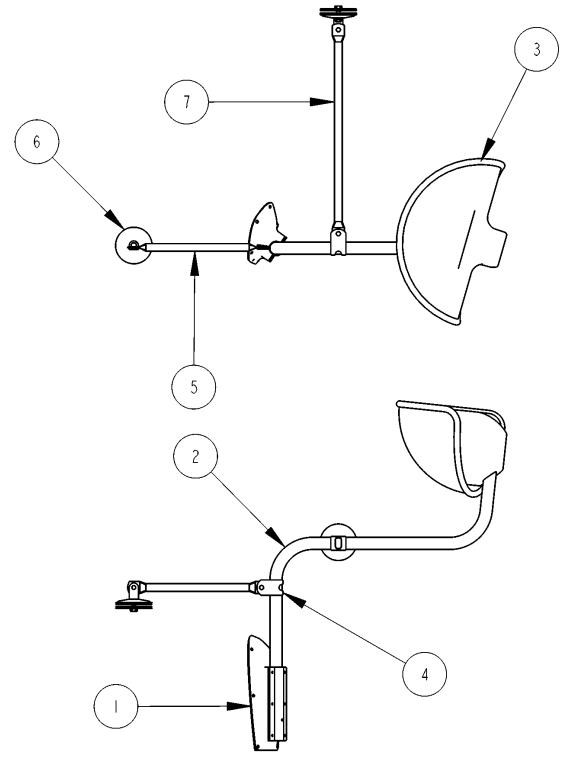


# MIRRORS

## Crossview



LEFT SIDE/DRIVER'S SIDE



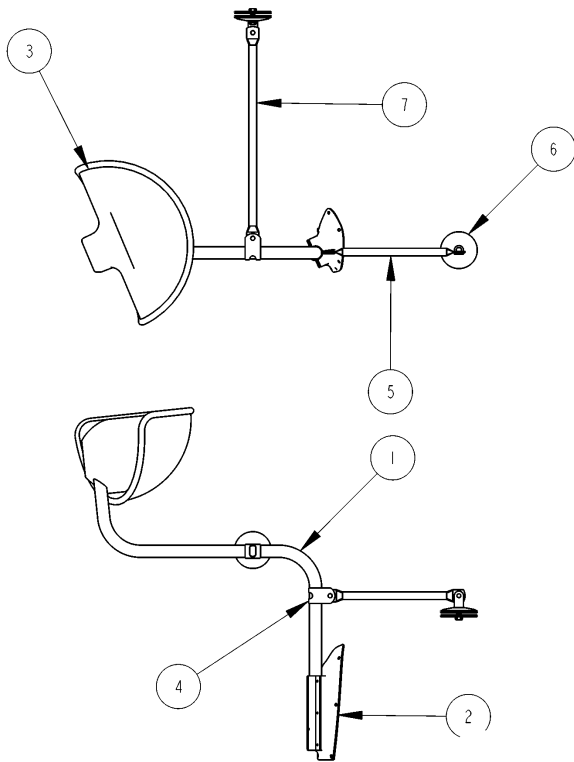
RIGHT SIDE/DOOR SIDE

### Freightliner Conventional

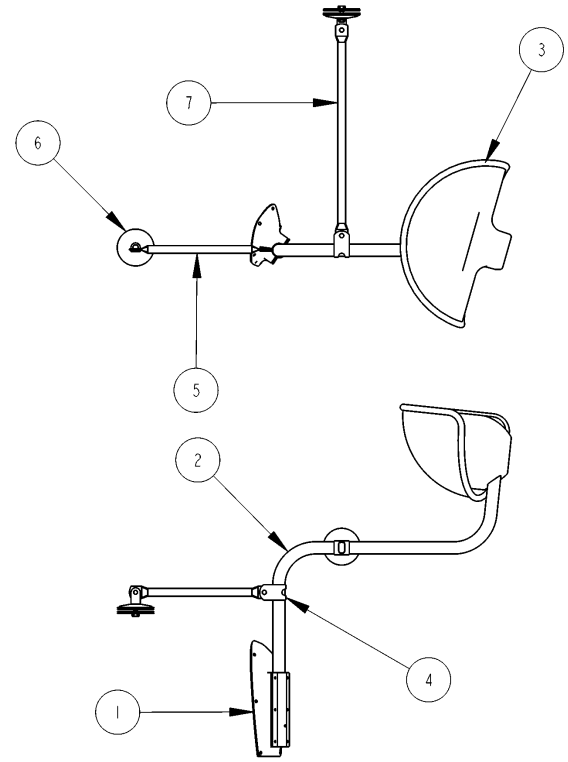
Item No.	Part No.	Qty.	Description	Item No.	Part No.	Qty.	Description
	65010108		Mirror Assembly, Crossview, Non-Heated, Bus Boy SC, Left Side		65010109		Mirror Assembly, Crossview, Non-Heated, Bus Boy SC, Right Side
	65010110		Mirror Assembly, Crossview, Heated, Bus Boy SC, Left Side		65010111		Mirror Assembly, Crossview, Heated, Bus Boy SC, Right Side
	65010112		Mirror Assembly, Crossview, Non-Heated, Stainless Steel, Bus Boy SC, Left Side		65010113		Mirror Assembly, Crossview, Non-Heated, Stainless Steel, Bus Boy SC, Right Side
	65010114		Mirror Assembly, Crossview, Non-Heated, Stainless Steel, Bus Boy SC, Left Side		65010115		Mirror Assembly, Crossview, Non-Heated, Stainless Steel, Bus Boy SC, Right Side
1	65010124	1	Mirror Arm, Main, Stainless Steel, L.S.	1	65008932	1	Mounting Base, Right Side
1	65010125	1	Mirror Arm, Main, Left Side	2	65010124	1	Mirror Arm, Main, Stainless Steel, R.S.
2	65008903	1	Mounting Base, Left Side	2	65010125	1	Mirror Arm, Main, Right Side
3	65010104	1	Mirror Head, Non-Heated	3	65010104	1	Mirror Head, Non-Heated
3	65010105	1	Mirror Head, Heated	3	65010105	1	Mirror Head, Heated
4	65008318	2	Clamp - Mirror Brace Arm	4	65008318	2	Clamp - Mirror Brace Arm
5	65010106	1	Brace Arm, Rearward, Stainless Steel	5	65008940	1	Brace Arm, Rearward
5	65008940	1	Brace Arm, Rearward	6	65008961	2	Mounting Base, Bell Mount
6	65008961	2	Mounting Base, Bell Mount	7	65008939	1	Brace Arm, Forward
7	65008939	1	Brace Arm, Forward				
7	65010107	1	Brace Arm, Forward, Stainless Steel				

## Crossview

65008660 Kit



LEFT SIDE/DRIVER'S SIDE



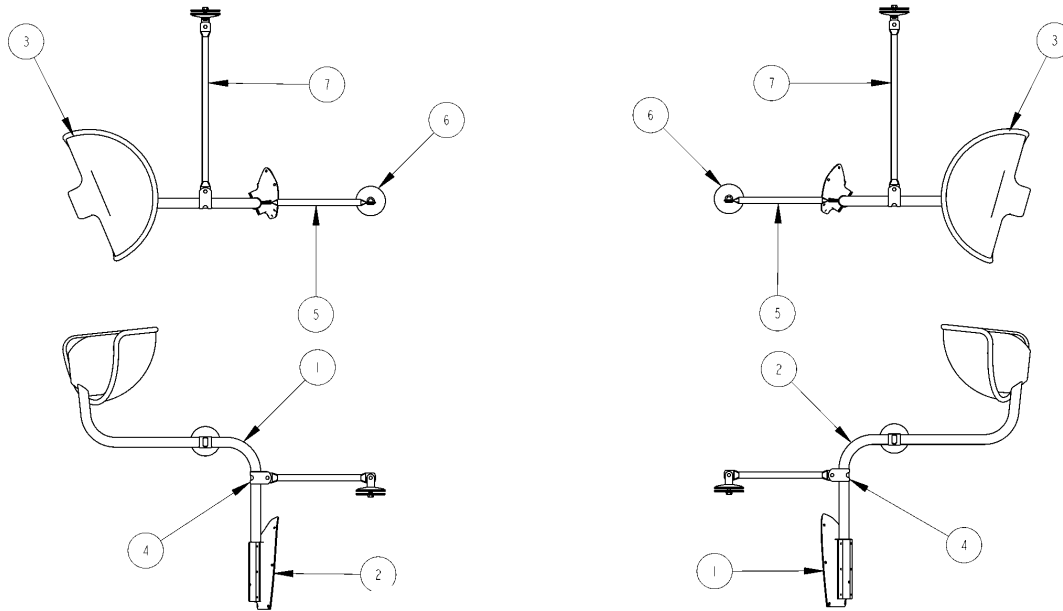
RIGHT SIDE/DOOR SIDE

### Freightliner Conventional

Item No.	Part No.	Qty.	Description	Item No.	Part No.	Qty.	Description
	65008933		Mirror Assembly, Crossview, Left Side, Non-Heated, Bus Boy SC, Freightliner Conventional		65008934		Mirror Assembly, Crossview, Right Side, Non-Heated, Busboy SC, Freightliner Conventional
1	65008936	1	Mirror Arm, Main, Left Side	1	65008932	1	Mounting Base, Right Side
2	65008903	1	Mounting Base, Left Side	2	65008938	1	Mirror Arm, Main, Right Side
3	65008703	1	Mirror Head, Crossview, Non-Heated, Internal Mount, Fixed Position, Safety Cross	3	65008703	1	Mirror Head, Crossview, Non-Heated, Internal Mount, Fixed Position, Safety Cross
4	65008318	2	Clamp - Mirror Brace Arm	4	65008318	2	Clamp - Mirror Brace Arm
5	65008940	1	Brace Arm, Rearward, Crossview Mirror	5	65008940	1	Brace Arm, Rearward, Crossview Mirror
6	65008961	2	Mounting Base, Bell Mount	6	65008961	2	Mounting Base, Bell Mount
7	65008939	1	Brace Arm, Forward, Crossview Mirror	7	65008939	1	Brace Arm, Forward, Crossview Mirror

# MIRRORS

## Crossview



LEFT SIDE/DRIVER'S SIDE

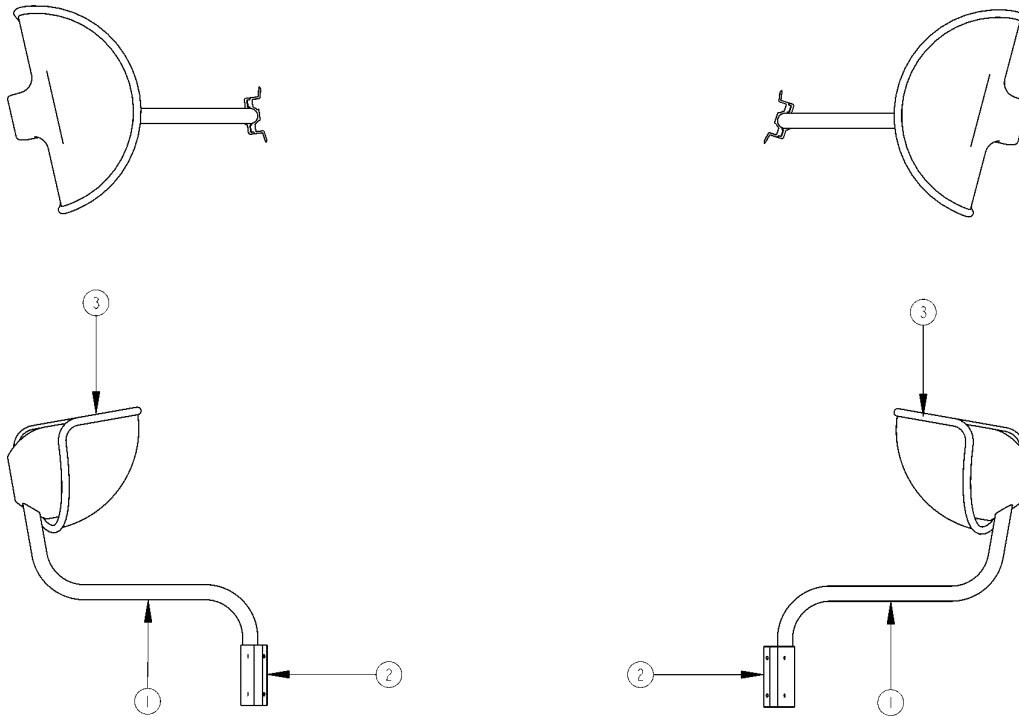
RIGHT SIDE/DOOR SIDE

### Navistar Conventional

Item No.	Part No.	Qty.	Description	Item No.	Part No.	Qty.	Description
	65010137		Mirror Assembly, Crossview, Non-Heated, Bus Boy SC, Mirror Lite, Left Side		65010138		Mirror Assembly, Crossview, Non-Heated, Bus Boy SC, Mirror Lite, Right Side
	65010139		Mirror Assembly, Crossview, Heated, Bus Boy SC, Mirror Lite, Left Side		65010140		Mirror Assembly, Crossview, Heated, Bus Boy SC, Mirror Lite, Right Side
	65010141		Mirror Assembly, Crossview, Non-Heated, Stainless Steel, Bus Boy SC, Mirror Lite, Left Side		65010142		Mirror Assembly, Crossview, Non-Heated, Stainless Steel, Bus Boy SC, Mirror Lite, Right Side
	65010143		Mirror Assembly, Crossview, Non-Heated, Stainless Steel, Bus Boy SC, Mirror Lite, Left Side		65010144		Mirror Assembly, Crossview, Non-Heated, Stainless Steel, Bus Boy SC, Mirror Lite, Right Side
1	65008318	2	Clamp - Mirror Brace Arm	1	65008318	2	Clamp - Mirror Brace Arm
2	65008610	2	Mounting Bracket, Brace Arm	2	65008610	2	Mounting Bracket, Brace Arm
2	65010136	2	Mounting Bracket, Brace Arm, Stainless Steel	2	65010136	2	Mounting Bracket, Brace Arm, Stainless Steel
3	65008687	1	Brace Arm, Forward	3	65008687	1	Brace Arm, Forward
3	65010134	1	Brace Arm, Forward, Stainless Steel	3	65010134	1	Brace Arm, Forward, Stainless Steel
4	65008688	1	Brace Arm, Rearward	4	65008688	1	Brace Arm, Rearward
4	65010135	1	Brace Arm, Rearward, Stainless Steel	4	65010135	1	Brace Arm, Rearward, Stainless Steel
5	65010104	1	Mirror Head, Non-Heated	5	65010104	1	Mirror Head, Non-Heated
5	65010105	1	Mirror Head, Heated	5	65010105	1	Mirror Head, Heated
6	65010129	1	Mounting Base	6	65010129	1	Mounting Base
7	65010130	1	Mirror Arm, Main	7	65010130	1	Mirror Arm, Main
7	65010132	1	Mirror Arm, Main, Stainless Steel	7	65010133	1	Mirror Arm, Main, Stainless Steel



## Crossview



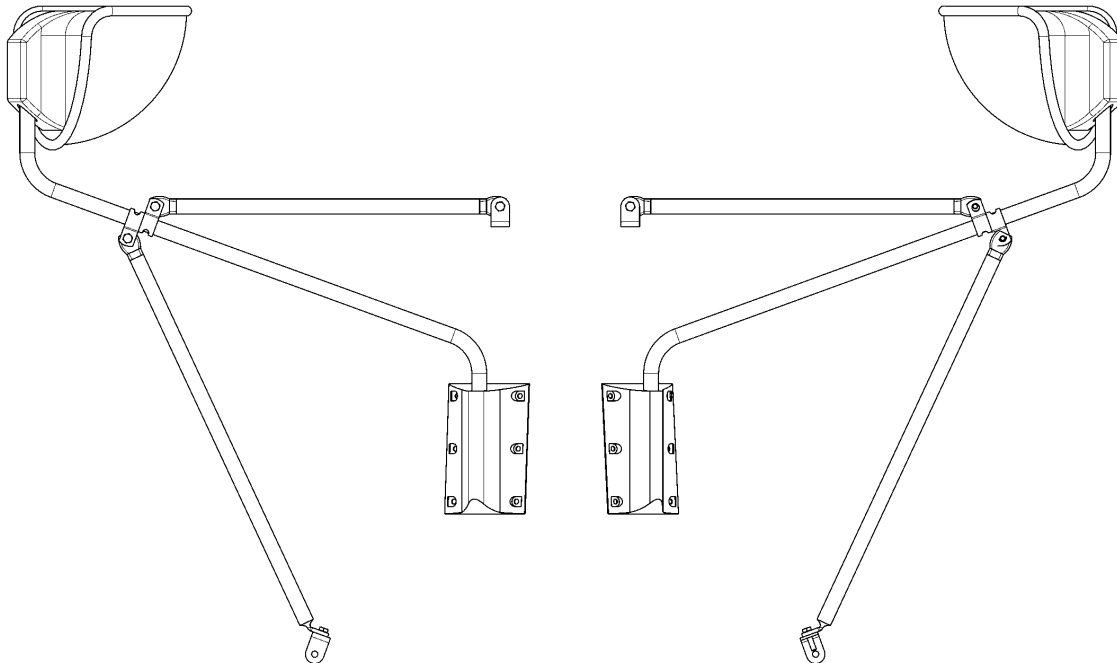
### MVP-EF & ER-Transit

Item No.	Part No.	Qty.	Description	Item No.	Part No.	Qty.	Description
	65010161		Mirror Assembly, Crossview, Non-Heated, Bus Boy SC, Mirror Lite, Left Side		65010161		Mirror Assembly, Crossview, Non-Heated, Bus Boy SC, Mirror Lite, Right Side
	65010162		Mirror Assembly, Crossview, Heated, Bus Boy SC, Mirror Lite, Left Side		65010162		Mirror Assembly, Crossview, Heated, Bus Boy SC, Mirror Lite, Right Side
	65010163		Mirror Assembly, Crossview, Non-Heated, Stainless Steel, Bus Boy SC, Mirror Lite, Left Side		65010163		Mirror Assembly, Crossview, Non-Heated, Stainless Steel, Bus Boy SC, Mirror Lite, Right Side
	65010164		Mirror Assembly, Crossview, Non-Heated, Stainless Steel, Bus Boy SC, Mirror Lite, Left Side		65010164		Mirror Assembly, Crossview, Non-Heated, Stainless Steel, Bus Boy SC, Mirror Lite, Right Side
1	65010155	1	Mirror Arm, Main	1	65010155	1	Mirror Arm, Main
1	65010156	1	Mirror Arm, Main, Stainless Steel	1	65010156	1	Mirror Arm, Main, Stainless Steel
2	65010154	1	Mounting Base	2	65010154	1	Mounting Base
3	65010104	1	Mirror Head, Non-Heated	3	65010104	1	Mirror Head, Non-Heated
3	65010105	1	Mirror Head, Heated	3	65010105	1	Mirror Head, Heated

**Note - Both Right & Left Assemblies Are Identical**

# MIRRORS

## Crossview



### Minotour

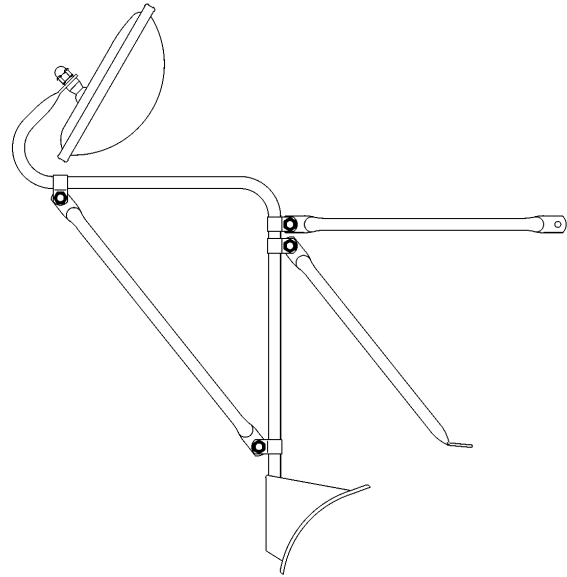
Part No.	Description
65010298	Mirror Assembly, Crossview, Non-Heated, Bus Boy SC, Mirror Lite, Left Side
ML 280 070LBA	Arm & Base Asm., Left Side
65004078	Base (only)-Quadrispherical Mirror
65010104	Mirror Head, Crossview, Non-Heated, Internal Mount
65010105	Mirror Head, Crossview, Heated, Internal Mount
65010300	Mirror Assembly, Crossview, Heated, Bus Boy SC, Mirror Lite, Left Side
ML 280 070LBA	Arm & Base Asm., Left Side
65004078	Base (only)-Quadrispherical Mirror
65010104	Mirror Head, Crossview, Non-Heated, Internal Mount
65010105	Mirror Head, Crossview, Heated, Internal Mount
65010302	Mirror Assembly, Crossview, Non-Heated, Stainless Steel, Bus Boy SC, Mirror Lite, Left Side
65010304	Mirror Assembly, Crossview, Non-Heated, Stainless Steel, Bus Boy SC, Mirror Lite, Left Side

Part No.	Description
65010299	Mirror Assembly, Crossview, Non-Heated, Bus Boy SC, Mirror Lite, Right Side
ML 280 070RBA	Arm & Base Asm., Left Side
65004078	Base (only)-Quadrispherical Mirror
65010104	Mirror Head, Crossview, Non-Heated, Internal Mount
65010105	Mirror Head, Crossview, Heated, Internal Mount
65010301	Mirror Assembly, Crossview, Heated, Bus Boy SC, Mirror Lite, Right Side
ML 280 070LBA	Arm & Base Asm., Left Side
65004078	Base (only)-Quadrispherical Mirror
65010104	Mirror Head, Crossview, Non-Heated, Internal Mount
65010105	Mirror Head, Crossview, Heated, Internal Mount
65010303	Mirror Assembly, Crossview, Non-Heated, Stainless Steel, Bus Boy SC, Mirror Lite, Right Side
65010305	Mirror Assembly, Crossview, Non-Heated, Stainless Steel, Bus Boy SC, Mirror Lite, Right Side

## Crossview

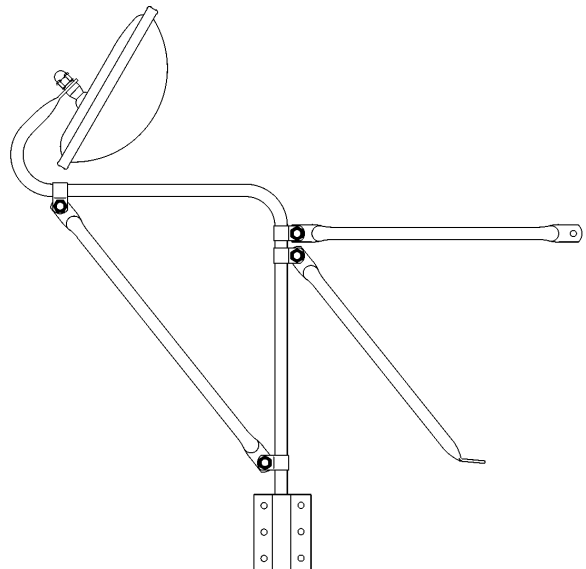
### Freightliner

Part No.	Description
65008471	Mirrors - Crossview, Assembly, Rosco, Model 2365 HAWK-EYE, Heated
65008472	Mirrors - Crossview, Assembly, Rosco, Model 2365 HAWK-EYE, Non-Heated
65010943	Mirrors - Crossview, Assembly, Rosco, Stainless Steel HAWK-EYE, Heated
85650242	Head - Mirror, Heated, Crossview, Rosco "Hawk-Eye" Model 2365
85650241	Head - Mirror, Crossview, Rosco "Hawk-Eye" Model 2365
85652245	Arm & Braces, Left Hand, Crossview Mirror Freightliner, Rosco
85652246	Arm & Braces, Right Hand, Crossview Mirror Freightliner, Rosco
85652244	Base - Right Hand, Crossview Mirror, Freightliner, Rosco
85652243	Base - Left Hand, Crossview Mirror, Freightliner, Rosco

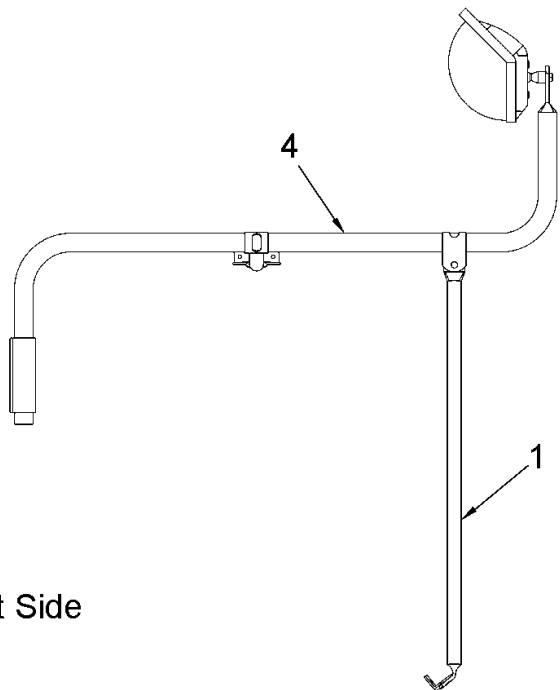
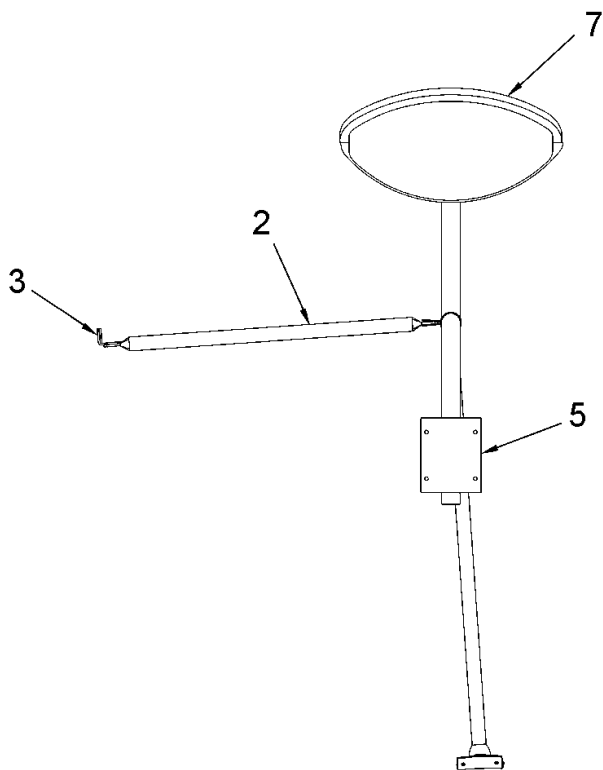
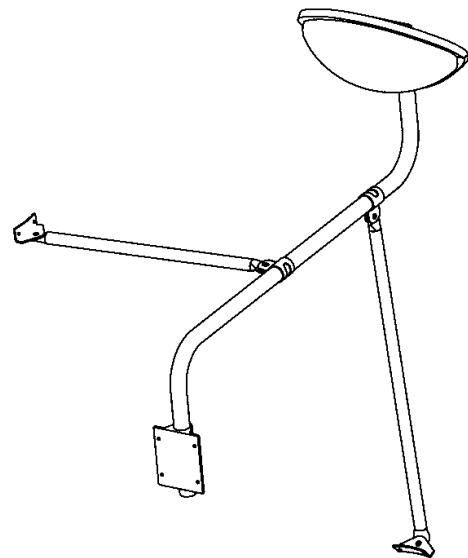
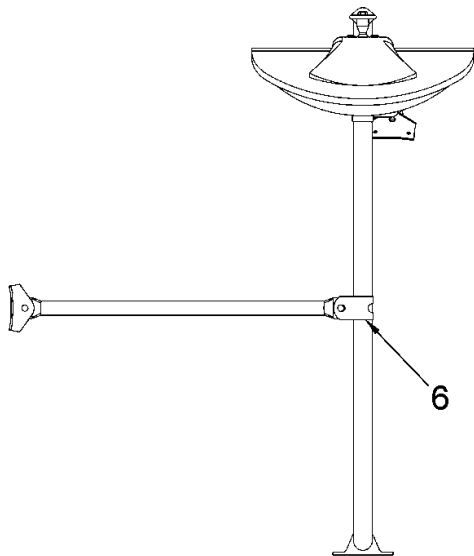


### Minotour

Part No.	Description
65011997	Mirror Kit, Mini Hawk-Eye, Non-Heated, Rosco Z Bracket (Gm 2003 Version)
65012014	Mirror Kit, Mini Hawk-Eye, Non-Heated, Rosco Z Bracket (Ford)
65011999	Mirror Kit, Mini Hawk-Eye, Heated, Rosco Z Bracket (Gm 2003 Version)
65012015	Mirror Kit, Mini Hawk-Eye, Heated, Rosco Z Bracket (Ford)
85651836	Head - Mirror, Crossview Heated, Rosco Mini Hawk-Eye, Rosco
85651837	Head - Mirror, Crossview, Rosco Mini Hawk-Eye, Rosco



## Crossview - Wide Eye

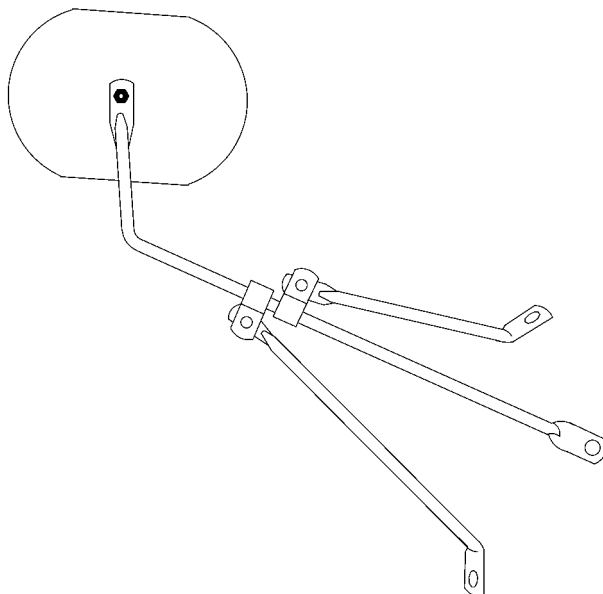


Right Side

## Crossview - Wide Eye

Item No.	Part No.	Qty.	Description
	65008204		Mirror - Crossview, Asm., 1 Pair, Wide Eye, Heated, Ball Stud Mount
1	65008291	1	Brace - Mirror Arm, R.S., Vertical (Shown)
1	65008292	1	Brace - Mirror Arm, L.S., Vertical
2	65008293	1	Brace - Mirror Arm, Horizontal
3	65008294	2	Bracket - Mounting, Mirror Brace
4	65008295	1	Arm - Main Mirror, R.S., Wide Eye (Shown)
4	65008296	1	Arm - Main Mirror, L.S., Wide Eye
5	65008297	1	Base - Mounting, Mirror Arm
6	65008318	2	Clamp - Mirror Brace Arm
7	65008319	1	Head - Crossview Mirror, 13 IN

## Crossview - Lo-Mar



### Non-Heated Assemblies (Pairs)

Thomas No.	Lo-Mar No.	Description
65007899 85651892 85651893	510430	Mirror - Crossview, Assembly – Navistar Chassis (1990) Kit - Arm & Braces, Left Side, Less Head Kit - Arm & Braces, Right Side, Less Head
65007900 85651894 85651895	512230	Mirror - Crossview, Assembly – Freightliner Chassis Kit - Arm & Braces, Left Side, Less Head Kit - Arm & Braces, Right Side, Less Head
65007901 85651896 85651897	511230	Mirror - Crossview, Assembly – Pusher/FC Kit - Arm & Braces, Left Side, Less Head Kit - Arm & Braces, Right Side, Less Head
65007936 85651898 85651899	511330	Mirror - Crossview, Assembly – MVP-EF Kit - Arm & Braces, Left Side, Less Head Kit - Arm & Braces, Right Side, Less Head

### Heated Assemblies (Pairs)

Thomas No.	Lo-Mar No.	Description
65007903	510433	Mirror - Crossview, Assembly - Navistar Chassis (1990)
65007904	512233	Mirror - Crossview, Assembly - Freightliner Chassis
65007905	511233	Mirror - Crossview, Assembly - Pusher/FC
65007937	511333	Mirror - Crossview, Assembly - MVP-EF

## Crossview - Lo-Mar

### Non-Heated Stainless Steel Assemblies (Pairs)

Thomas No.	Lo-Mar No.	Description
65007907	510440	Mirror - Crossview, Assembly - Navistar Chassis (1990)
65007908	512240	Mirror - Crossview, Assembly - Freightliner Chassis
65007909	511240	Mirror - Crossview, Assembly - Pusher/FC
65007938	511340	Mirror - Crossview, Assembly - MVP-EF

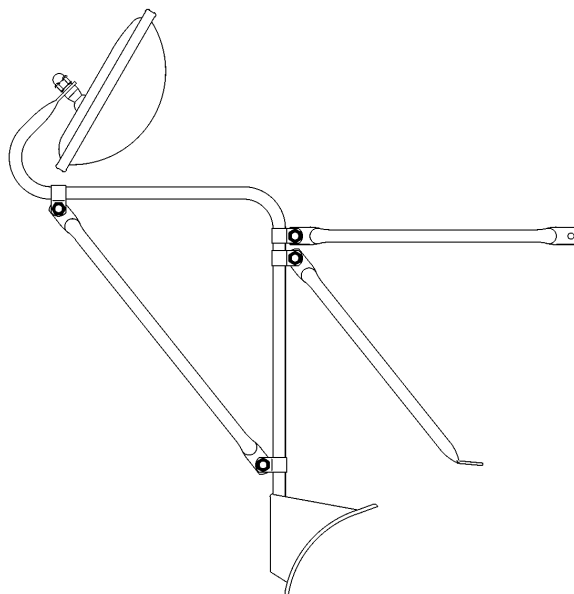
### Heated Stainless Steel Assemblies (Pairs)

Thomas No.	Lo-Mar No.	Description
65007911	510443	Mirror - Crossview, Assembly - Navistar Chassis (1990)
65007912	512243	Mirror - Crossview, Assembly - Freightliner Chassis
65007913	511243	Mirror - Crossview, Assembly - Pusher/FC
65007939	511343	Mirror - Crossview, Assembly - MVP-EF

### Head - Mirror Assembly

Thomas No.	Lo-Mar No.	Description
85651905	530030	Head - Mirror, Non-Heated (Single)
85651906	530031	Head - Mirror, Heated (Single)

## Crossview - Rosco



### Non-Heated Assemblies (Pairs)

Thomas No.	Rosco No.	Description
65007269	2211311007	Mirror - Crossview, Assembly - Navistar Chassis (1990) Kit - Arm & Braces, Left Side, Less Head Kit - Arm & Braces, Right Side, Less Head
65007720	2202311007	Mirror - Crossview, Assembly - Pusher/FC Kit - Arm & Braces, Left Side, Less Head Kit - Arm & Braces, Right Side, Less Head
65007272	2212311007	Mirror - Crossview, Assembly - Vista Kit - Arm & Braces, Left Side, Less Head Kit - Arm & Braces, Right Side, Less Head

### Heated Assemblies (Pairs)

Thomas No.	Rosco No.	Description
65007273	2211312007	Mirror - Crossview, Assembly - Navistar Chassis (1990)
65007721	2202312007	Mirror - Crossview, Assembly - Pusher/FC (Cowl Mounted)
65007276	2213312007	Mirror - Crossview, Assembly - Vista



## Crossview - Rosco

### Non-Heated Stainless Steel Assemblies (Pairs)

Thomas No.	Rosco No.	Description
65007277	2211331007	Mirror - Crossview, Assembly - Navistar Chassis (1990)
65007722	2202331007	Mirror - Crossview, Assembly - Pusher/FC (Cowl Mounted)
65007280	2213331007	Mirror - Crossview, Assembly - Vista

### Heated Stainless Steel Assemblies (Pairs)

Thomas No.	Rosco No.	Description
65007281	2211332007	Mirror - Crossview, Assembly - Navistar Chassis (1990)
65007723	2202332007	Mirror - Crossview, Assembly - Pusher/FC (Cowl Mounted)
65007284	2213332007	Mirror - Crossview, Assembly - Vista

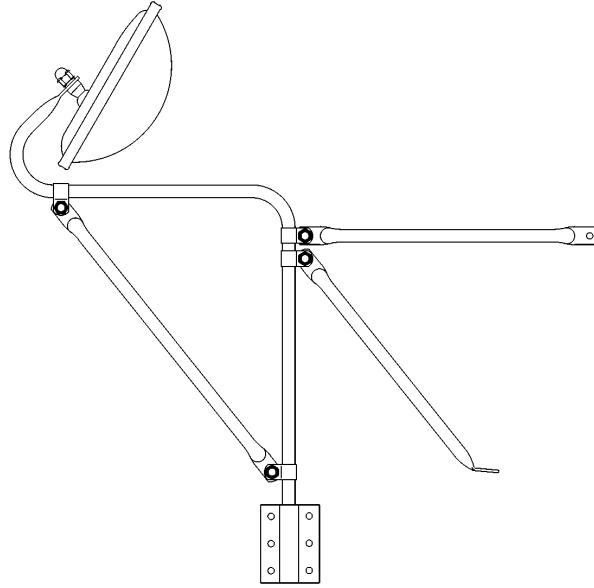
### Head - Mirror Assembly

Thomas No.	Rosco No.	Description
85651837	3365	Head - Mirror, Non-Heated, Mini Hawkeye, (Single)
85651836	3365H	Head - Mirror, Heated, Mini Hawkeye, (Single)

### Base & Arm Assemblies

Thomas No.	Rosco No.	Description
85652258	19A	Mounting Base, Tiger Grip, Component of 65007720 / 65007721
85652257	ASY-4004	Arm & Brace Assemblies Component of 65007720 / 65007721

## Crossview - Rosco (Mini Hawk-Eye)



### Non-Heated Assemblies (Pairs)

Thomas No.	Rosco No.	Description
65010761	2295311007	Mirror Kit - Crossview, GMC Minotour
65011591	22S6311007	Mirror Kit - Crossview, GMC Minotour (2003)
65008525	2226311007	Mirror Kit - Crossview, Ford

### Heated Assemblies (Pairs)

Thomas No.	Rosco No.	Description
65010762	2295312007	Mirror Kit - Crossview, GMC Minotour
65011592	22S6312007	Mirror Kit - Crossview, GMC Minotour (2003)
65008527	2226321007	Mirror Kit - Crossview, Ford

## Crossview - Rosco (Mini Hawk-Eye)

### Head - Mirror Assembly

Thomas No.	Rosco No.	Description
85651836	3365H	Head - Mirror, Heated, Mini Hawkeye, (Single)
85651837	3365	Head - Mirror, Non-Heated, Mini Hawkeye, (Single)

### Base & Arm Assemblies

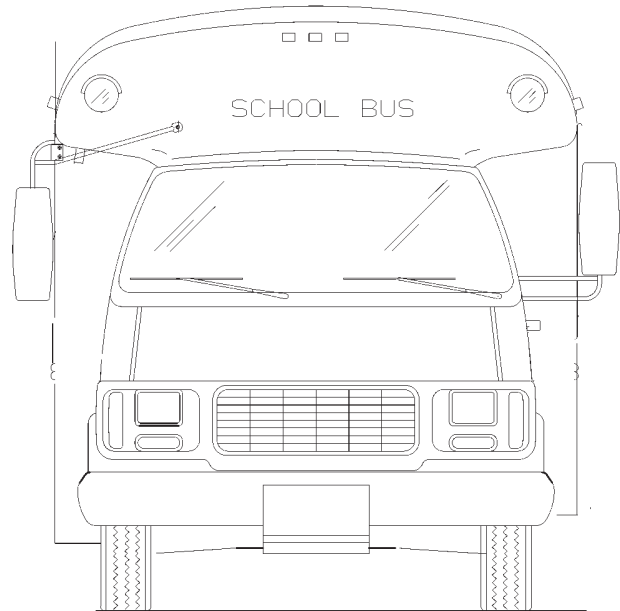
Thomas No.	Rosco No.	Description
	RPS 19G	Mounting Base, Ford
	RPS ASY4033L	Arm & Base Assembly, Left Side, Ford
	RPS ASY4033R	Arm & Base Assembly, Right Side, Ford
	RPS 535	Brace Assembly, Adjustable, 12" - 17"
	RPS 537	Brace Assembly, Adjustable, 14" - 19"

# MIRRORS

## Rearview Mirror Kits - (Rosco)

### Minotour

Part No.	Description (Pairs)
65008528	Mirror Kit, Rearview, Heated, Roscoe Eurostyle, Remote Control, (Ford) DRW
65007317	Heated Mirror Head, Left Side
65011771	Heated Mirror Head, Right Side
RPS ASY2731	Bracket / Arm Asm., Right Side
RPS ASY1226	Bracket / Arm Asm., Left Side
65008529	Mirror Kit, Rearview, Non-Heated, Roscoe Eurostyle, Remote Control, (Ford) DRW
65007306	Mirror Head, Left Side
RPS 715B0G	Mirror Head, Right Side
RPS ASY2733	Bracket / Arm Asm., Right Side
RPS ASY2310	Bracket / Arm Asm., Left Side
52002729	Remote Switch w/ 12" Lead
RPS BRA1038	Brace, Right Side 44"
RPS BRA1070	Brace, Left Side 30"
65008530	Mirror Kit - Rearview, Heated, Eurostyle, Remote Control, (GM) (L.S. Arm 10.4" Long) DRW
65007317	Heated Mirror Head, Left Side
RPS 715B0GH	Heated Mirror Head, Right Side
RPS ASY2734	Bracket / Arm Asm., Right Side
RPS ASY2337	Bracket / Arm Asm., Left Side
65007685	Remote Switch w/ 6' Cable
65008531	Mirror Kit - Rearview, Non-Heated, Eurostyle, Remote Control, (GM) (L.S. Arm 10.4" Long) DRW
65007306	Mirror Head, Left Side
RPS B715B0G	Mirror Head, Right Side
RPS ASY2734	Bracket / Arm Asm., Right Side
RPS ASY2337	Bracket / Arm Asm., Left Side
65008532	Mirror Kit - Rearview, Non-Heated, Eurostyle, Remote Control, (GM) (L.S. Arm 5.4" Long) SRW
RPS 715	Mirror Head, Left Side
RPS 7150G	Mirror Head, Right Side
RPS ASY2734	Bracket / Arm Asm., Right Side
RPS ASY2301	Bracket / Arm Asm., Left Side
65008533	Mirror Kit - Rearview, Heated, Eurostyle, Remote Control, (GM) (L.S. Arm 5.4" Long) SRW
RPS 715H	Heated Mirror Head, Left Side
RPS 7150GH	Heated Mirror Head, Right Side
RPS ASY2734	Bracket / Arm Asm., Right Side
RPS ASY2301	Bracket / Arm Asm., Left Side
65010960	Mirror Kit - Rearview, Heated, Rosco Eurostyle, Non-Remote Control, (GM) SRW
65008712	Heated Mirror Head, Left Side
65010953	Heated Mirror Head, Right Side
65010961	Bracket / Arm Asm., Right Side
65010962	Bracket / Arm Asm., Left Side
65010975	Mirror Kit - Rearview, Heated, Rosco Eurostyle, Non-Remote Control, Hand Adjustable (GM) DRW
65008716	Mirror Head, Left Side
65010976	Mirror Head, Right Side
65010954	Bracket / Arm Asm., Right Side
65010955	Bracket / Arm Asm., Left Side



Part No.	Description (Pairs)
65011546	Mirror Kit - Rearview, Non-Heated, Eurostyle, Remote Control, (R.S. "Overhang" Arm) (Ford) DRW
65007306	Mirror Head, Left Side
65011767	Mirror Head, Right Side
65011769	Overhang Arm Asm., Right Side
65011770	Patch Mount & Arm Asm. Left Side
65011547	Mirror Kit - Rearview, Heated, Eurostyle, Remote Control, (R.S. "Overhang" Arm) (Ford) DRW
65007316	Heated Mirror Head, Left Side
65011771	Heated Mirror Head, Right Side
65011769	Bracket / Arm Asm., Right Side
65011770	Bracket / Arm Asm. Left Side

## Rearview Mirror Kits - (Rosco)

### Freightliner Conventional

Part No.	Description (Pairs)	Part No.	Description (Pairs)
65008473	Mirror Kit - Rearview, Heated, Eurostyle, Remote Control (L.S. "Upright" Arm & R.S. "Overhang" Arm) (7" x 9" Flat & 4" x 7" Convex Mirrors)	65011971	Mirror Kit - Rearview, Heated, Eurostyle, Remote Control (L.S. "Upright" Arm & R.S. "Overhang" Arm) (2 - 8" x 17" Mirrors)
65007317	Heated Mirror Head, Left Side	65011967	Mirror Head, Upright, Left Side, Heated
65007318	Heated Mirror Head, Right Side	65007318	Mirror Head Overhang, Right Side, Heated
85652255	Bracket / Arm Asm., Right Side	65009329	Bracket / Arm Asm., Right Side, w/ 18" Cable
85652256	Bracket / Arm Asm., Left Side	65011964	Bracket / Arm Asm., Left Side w/ 50" Cable
65009305	Mirror Kit - Rearview, Non-Heated, Eurostyle, Manually Adjustable (L.S. "Upright" Arm & R.S. "Overhang" Arm)	65009340	Brace Arm, Breakaway, 20" (R.S. Only)
65008716	Mirror Head, Upright, Left Side, Manual	65012008	Mirror Kit - Rearview, Non-Heated, Eurostyle, Remote Control (L.S. "Upright" Arm & R.S. "Overhang" Arm) (8" x 15" & 8" x 17" Mirrors)
65008717	Mirror Head, Overhang, Right Side, Manual	65007306	Mirror Head, Upright, Left Side
65008718	Bracket / Arm Asm., Right Side	65007307	Mirror Head, Overhang, Right Side
65008719	Bracket / Arm Asm., Left Side	65009329	Bracket / Arm Asm., Right Side, w/ 18" Cable
65009340	Brace Arm, Breakaway, 20" (Right Side Only)	65009330	Bracket / Arm Asm., Left Side, w/ 50" Cable
65009313	Mirror Kit - Rearview, Heated, Eurostyle, Manually Adjustable (L.S. "Upright" Arm & R.S. "Overhang" Arm)	65009340	Brace Arm, Breakaway, 20" (R.S. Only)
65008712	Mirror Head, Upright, Left Side, Heated & Manual	65012148	Mirror Kit - Rearview, Heated, Remote Controlled, Eurostyle, Both Sides Upper Mounted, NC
65008713	Mirror Head Overhang, Rt.Side, Heated & Manual	65012149	Mirror Head, Overhang, Left Side
65008714	Bracket / Arm Asm., Right Side	65007318	Mirror Head, Overhang, Right Side
65008715	Bracket / Arm Asm., Left Side	65009329	Bracket / Arm Asm., Right Side, w/ 18" Cable
65009340	Brace Arm, Breakaway, 20" (Right Side Only)	65012085	Bracket / Arm Asm., Left Side, w/ 18" Cable
65009314	Mirror Kit - Rearview, Non-Heated, Eurostyle, Remote Control (L.S. "Upright" Arm & R.S. "Overhang" Arm) (8" x 15" & 8" x 17" Mirrors)	65009340	Brace Arm, Breakaway, 20" (R.S. Only)
65007306	Mirror Head, Upright, Left Side		
65007307	Mirror Head Overhang, Right Side		
65009329	Bracket / Arm Asm., Right Side, w/ 18" Cable		
65009330	Bracket / Arm Asm., Left Side, w/ 50" Cable		
85861915	Remote Switch		
52005260	Pigtail Cable Harness and Connector		
65009340	Brace Arm, Breakaway, 20" (R.S. Only)		
65009315	Mirror Kit - Rearview, Heated, Eurostyle, Remote Control (L.S. "Upright" Arm & R.S. "Overhang" Arm) (8" x 15" & 8" x 17" Mirrors)		
65007317	Mirror Head, Upright, Left Side, Heated		
65007318	Mirror Head Overhang, Right Side, Heated		
65009329	Bracket / Arm Asm., Right Side, w/ 18" Cable		
65009330	Bracket / Arm Asm., Left Side, w/ 50" Cable		
85651915	Remote Switch		
52005260	Pigtail Cable Harness and Connector		
65009340	Brace Arm, Breakaway, 20" (R.S. Only)		
65011008	Mirror Kit - Rearview, Heated, Remote Controlled, Eurostyle, W/ Grommets		
65007317	Heated Mirror Head, Left Side		
65007318	Heated Mirror Head, Right Side		
65009329	Bracket / Arm Asm., Right Side, w/ 18" Cable		
65009330	Bracket / Arm Asm., Left Side, w/ 50" Cable		
65009340	Brace Arm, Breakaway, 20" (R.S. Only)		
85861915	Remote Switch		
52005260	Pigtail Cable Harness and Connector		

# MIRRORS

## Rearview Mirror Kits - (Rosco)

### Conventional

Part No.	Description (Pairs)	Part No.	Description (Pairs)
65007292	Mirror Kit - Rearview, Non-Heated, Transit Type, Remote Control (8" x 15" & 8" x 17" Mirrors) Conv. Rosco	65011001	Mirror Kit - Rearview, Heated, Remote, Eurostyle w/ Grommets, Nav. Conv., Rosco
65007306	Mirror Head, Left Side	65007317	Mirror Head, Upright, Left Side, Heated
65007307	Mirror Head, Right Side	65007318	Mirror Head, Overhang, Right Side, Heated
65007308	Bracket / Arm Asm., Right Side, 18" Cable	65007308	Bracket / Arm Asm., Right Side, w/ 18" Cable
65007309	Bracket / Arm Asm., Left Side, w/ 50" Cable	65007309	Bracket / Arm Asm., Left Side, w/ 50" Cable
85651915	Remote Switch	85651915	Remote Switch
52005260	Pigtail Cable Harness / Connectors	52005260	Pigtail Cable Harness / Connectors
65007316	Mirror Kit - Rearview, Heated, Transit Type, Remote Control (8" x 15" & 8" x 17" Mirrors) Conv. Rosco	65011007	Mirror Kit - Rearview, Non-Heated, Remote, Eurostyle w/ Grommets, FTL Conv., Rosco
65007317	Heated Mirror Head, Left Side	65007306	Mirror Head, Upright, Left Side
65007318	Heated Mirror Head, Right Side	65007307	Mirror Head, Overhang, Right Side
65007308	Bracket / Arm Asm., Right Side, w/ 18" Cable	65009329	Bracket / Arm Asm., Right Side, w/ 18" Cable
65007309	Bracket / Arm Asm., Left Side, w/ 50" Cable	65009330	Bracket / Arm Asm., Left Side, w/ 50" Cable
85651915	Remote Switch	65009340	Brace Arm, Breakaway, 20" (Right Side Only)
52005260	Pigtail Cable Harness / Connectors	85651915	Remote Switch
65009313	Mirror Kit - Rearview, Heated, Manually Adjustable, Eurostyle, FTL, Rosco	52005260	Pigtail Cable Harness / Connectors
65008712	Mirror Head, Upright, Left Side, Heated & Manual	65011008	Mirror Kit, Rearview, Heated Remote, Eurostyle w/ Grommets, FTL Conv, Rosco
65008713	Mirror Head, Overhang, Right Side, Heated & Manual	65007317	Mirror Head, Upright, Left Side, Heated
65008714	Bracket / Arm Asm., Right Side	65007318	Mirror Head, Overhang Right Side, Heated
65008715	Bracket / Arm Asm., Left Side	65009329	Bracket / Arm Asm., Right Side, w/ 18" Cable
65009340	Brace Arm, Breakaway, 20" (Right Side Only)	65009330	Bracket / Arm Asm., Left Side, w/ 50" Cable
65009314	Mirror Kit - Rearview, Non-Heated, Remote Control, Eurostyle, FTL, Rosco	65009340	Brace Arm, Breakaway, 20" (Right Side Only)
65007306	Mirror Head, Upright, Left Side	85651915	Remote Switch
65007307	Mirror Head, Overhang, Right Side	52005260	Pigtail Cable Harness / Connectors
65009329	Bracket / Arm Asm., Right Side, w/ 18" Cable	65012003	Mirror Kit, Rearview, Non-Heated Remote, Eurostyle w/ Grommets, Nav. Conv., Rosco
65009330	Bracket / Arm Asm., Left Side, w/ 50" Cable	65007306	Mirror Head, Upright, Left Side
85651915	Remote Switch	65007307	Mirror Head, Overhang, Right Side
52005260	Pigtail Cable Harness / Connectors	65007308	Bracket / Arm Asm., Right Side, 18" Cable
65009340	Brace Arm, Breakaway, 20" (Right Side Only)	65007309	Bracket / Arm Asm., Left Side, w/ 50" Cable
65009315	Mirror Kit - Rearview, Heated, Remote Control, Eurostyle, FTL, Rosco	65012004	Mirror Kit - Rearview, Heated, Remote, Eurostyle w/ Grommets, Nav. Conv., Rosco
65007317	Mirror Head, Upright, Left Side, Heated	65007317	Mirror Head, Upright, Left Side, Heated
65007318	Mirror Head, Overhang, Right Side, Heated	65007318	Mirror Head, Overhang Right Side, Heated
65009329	Bracket / Arm Asm., Right Side, w/ 18" Cable	65007308	Bracket / Arm Asm., Right Side, w/ 18" Cable
65009330	Bracket / Arm Asm., Left Side, w/ 50" Cable	65007309	Bracket / Arm Asm., Left Side, w/ 50" Cable
85651915	Remote Switch	65012008	Mirror Kit - Rearview, Non-Heated, Remote, Eurostyle w/ Grommets, FTL Conv., Rosco
52005260	Pigtail Cable Harness / Connectors	65007306	Mirror Head, Upright, Left Side
65009340	Brace Arm, Breakaway, 20" (Right Side Only)	65007307	Mirror Head, Overhang, Right Side
65011000	Mirror Kit - Rearview, Non-Heated, Remote Control, Eurostyle w/ Grommets, Nav. Conv., Rosco	65009329	Bracket / Arm Asm., Right Side, w/ 18" Cable
65007306	Mirror Head, Upright, Left Side	65009330	Bracket / Arm Asm., Left Side, w/ 50" Cable
65007307	Mirror Head, Overhang Right Side	65009340	Brace Arm, Breakaway, 20" (Right Side Only)
65007308	Bracket / Arm Asm., Right Side, w/ 18" Cable	65012009	Mirror Kit - Rearview, Heated, Remote, Eurostyle w/ Grommets, FTL. Conv., Rosco
65007309	Bracket / Arm Asm., Left Side, w/ 50" Cable	65007317	Mirror Head, Upright, Left Side, Heated
85651915	Remote Switch	65007318	Mirror Head, Overhang Right Side, Heated
52005260	Pigtail Cable Harness / Connectors	65009329	Bracket / Arm Asm., Right Side, w/ 18" Cable
		65009330	Bracket / Arm Asm., Left Side, w/ 50" Cable
		65009340	Brace Arm, Breakaway, 20" (Right Side Only)

## Rearview Mirror Kits - (Rosco)

### MVP-EF

Part No.	Description (Pairs)
65007681	Mirror Kit - Rearview, Non-Heated, Transit Type, Remote Control (8" x 15" & 8" x 17" Mirrors)
65007306	Mirror Head, Upright, Left Side
65007307	Mirror Head, Overhang, Right Side
65007683	Bracket / Arm Asm., Right Side, w/ 18" Cable
65007684	Bracket / Arm Asm., Left Side, w/ 40" Cable
85651915	Remote Switch
52005260	Pigtail Cable Harness / Connectors
65007682	Mirror Kit - Rearview, Heated, Transit Type, Remote Control (8" x 15" & 8" x 17" Mirrors)
65007317	Mirror Head, Upright, Left Side, Heated
65007318	Mirror Head, Overhang, Right Side, Heated
65007683	Bracket / Arm Asm., Right Side, w/ 18" Cable
65007684	Bracket / Arm Asm., Left Side, w/ 40" Cable
85651915	Remote Switch
52005260	Pigtail Cable Harness / Connectors
65008904	Mirror Kit - Rearview, Heated, Remote Control, Eurostyle, Canada MVP-EF, Rosco
65008914	Mirror Head, Upright, Left Side, Heated
65008915	Mirror Head, Overhang, Right Side, Heated
65007683	Bracket / Arm Asm., Right Side, w/ 18"
65007684	Bracket / Arm Asm., Left Side, w/ 40" Cable
85651915	Remote Switch
52005260	Pigtail Cable Harness / Connector
65011002	Mirror Kit - Rearview, Non-Heated, Remote Control Eurostyle w/ Grommets, MVP-EF Rosco
65007306	Mirror Head, Upright, Left Side
65007307	Mirror Head, Overhang, Right Side
65007683	Bracket / Arm Asm., Right Side, w/ 18" Cable
65007684	Bracket / Arm Asm., Left Side, w/ 40" Cable
85651915	Remote Switch
52005260	Pigtail Cable Harness / Connectors
65011003	Mirror Kit - Rearview, Heated, Remote, Eurostyle w/ Grommets, MVP-EF, Rosco
65007317	Mirror Head, Upright, Left Side, Heated
65007318	Mirror Head, Overhang, Right Side, Heated
65007683	Bracket / Arm Asm., Right Side, w/ 18" Cable
65007684	Bracket / Arm Asm., Left Side, w/ 40" Cable
85651915	Remote Switch
52005260	Pigtail Cable Harness / Connectors
65011006	Mirror Kit - Rearview, Heated, Remote, Eurostyle w/ Grommets, MVP-EF, Canadian
65008914	Mirror Head, Upright, Left Side, Heated
65008915	Mirror Head, Overhang, Right Side, Heated
65007683	Bracket / Arm Asm., Right Side, w/ 18"
65007684	Bracket / Arm Asm., Left Side, w/ 40" Cable
85651915	Remote Switch
52005260	Pigtail Cable Harness / Connector
65012005	Mirror Kit - Rearview, Non-Heated, Remote Control Eurostyle w/ Grommets, MVP-EF Rosco
65007306	Mirror Head, Upright, Left Side
65007307	Mirror Head, Overhang, Right Side
65007683	Bracket / Arm Asm., Right Side, w/ 18" Cable
65007684	Bracket / Arm Asm., Left Side, w/ 40" Cable

Part No.	Description (Pairs)
65012006	Mirror Kit - Rearview, Heated, Remote Control, Eurostyle w/ Grommets, MVP-EF, Rosco
65007317	Mirror Head, Upright, Left Side, Heated
65007318	Mirror Head, Overhang, Right Side, Heated
65007683	Bracket / Arm Asm., Right Side, w/ 18" Cable
65007684	Bracket / Arm Asm., Left Side, w/ 40" Cable
65012007	Mirror Kit - Rearview, Heated, Transit Type, Remote Control (8" x 15" & 8" x 17" Mirrors)
65008914	Mirror Head, Upright, Left Side, Heated
65008915	Mirror Head, Overhang, Right Side, Heated
65007683	Bracket / Arm Asm., Right Side, w/ 18"
65007684	Bracket / Arm Asm., Left Side, w/ 40" Cable

### ER (0H, 05)

Part No.	Description (Pairs)
65007915	Mirror Kit - Rearview, Non-Heated, Transit Type, Remote Control (8" x 15" & 8" x 17" Mirrors)
65007306	Mirror Head, Upright, Left Side
65007307	Mirror Head, Overhang, Right Side
65007683	Bracket / Arm Asm., Right Side, w/ 18" Cable
65007684	Bracket / Arm Asm., Left Side, w/ 40" Cable
85651915	Remote Switch
52005260	Pigtail Cable Harness / Connectors
65007916	Mirror Kit - Rearview, Heated, Transit Type, Remote Control (8" x 15" & 8" x 17" Mirrors)
65007317	Mirror Head, Upright, Left Side, Heated
65007318	Mirror Head, Overhang, Right Side, Heated
65007683	Bracket / Arm Asm., Right Side, w/ 18" Cable
65007684	Bracket / Arm Asm., Left Side, w/ 40" Cable
85651915	Remote Switch
52005260	Pigtail Cable Harness / Connectors
65008710	Mirror Kit - Rearview, Non-Heated, Transit Type, Manually Adjustable (8" x 15" & 8" x 17" Mirrors)
65008716	Mirror Head, Upright, Left Side
65008717	Mirror Head, Overhang, Right Side
65008720	Bracket / Arm Asm., Right Side
65008721	Bracket / Arm Asm., Left Side
65011004	Mirror Kit - Rearview, Non-Heated, Remote Control Eurostyle w/ Grommets, ER (0H, 05), Rosco
65007306	Mirror Head, Upright, Left Side
65007307	Mirror Head, Overhang, Right Side
65007683	Bracket / Arm Asm., Right Side, w/ 18" Cable
65007684	Bracket / Arm Asm., Left Side, w/ 40" Cable
85651915	Remote Switch
52005260	Pigtail Cable Harness / Connectors
65011005	Mirror Kit - Rearview, Heated, Remote Control Eurostyle w/ Grommets, ER (0H, 05), Rosco
65007317	Mirror Head, Upright, Left Side, Heated
65007318	Mirror Head, Overhang, Right Side, Heated
65007683	Bracket / Arm Asm., Right Side, w/ 18" Cable
65007684	Bracket / Arm Asm., Left Side, w/ 40" Cable
85651915	Remote Switch
52005260	Pigtail Cable Harness / Connectors



## Rosco Mirror Head Components

### Head Assembly

Part No.	Description / Style
65007306	Mirror Head, Left Side, 715B
65007307	Mirror Head, Right Side, 717
65007317	Heated Mirror Head, Left Side, 715BH
65007318	Heated Mirror Head, Right Side, 717BH
65008716	Mirror Head, Upright, Left Side, M715B
65008717	Mirror Head, Overhang, Right Side, M717B
65008712	Mirror Head, Upright, Left Side, Heated, M715BH
65008713	Mirror Head, Overhang, Right Side Heated, M717BH
65011767	Mirror Head, Non-Heated Remote, Right Side Overhang Mounted, 7150G

### Glass Only

Part No.	Head - 715
RPS 715 1	Flat Glass
RPS 715D 1	Convex Glass

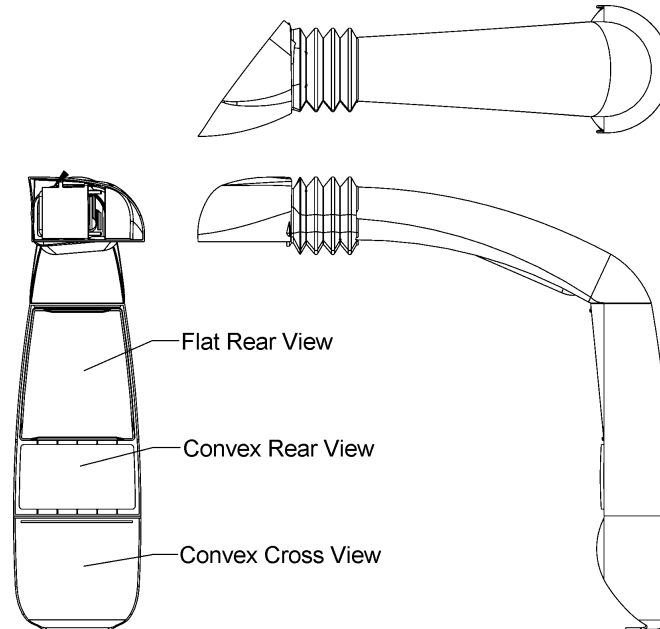
Part No.	Head Heated - 715
RPS 715H 1	Flat Glass
RPS 715DH 1	Convex Glass

Part No.	Head - 717
RPS 717 1	Flat Glass
RPS 717D 1	Convex Glass

Part No.	Head Heated - 717
RPS 717H 1	Flat Glass
RPS 717DH 1	Convex Glass



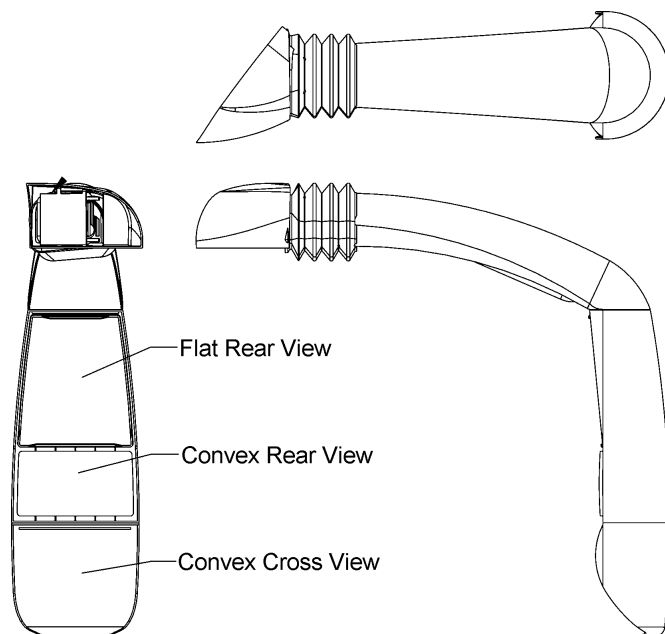
## Mirror Assembly Kits - European "Overhung" Style (Rosco)



Part No.	Description (Pairs)
65008722	Assembly Kit - Mirror, Heated, Remote Control, (L.S. & R.S. "Overhung" Arm) (1 Flat, 1 Convex Rearview & 1Convex Crossview Mirror) (Freightliner)
65008723	Mirror Assembly Kit, European Style Remote Control, Rosco
65008724	Mirror Assembly Kit, European Style Hand Adjustable, Heated
65008725	Mirror Assembly Kit, Eugopean Style Hand Adjustable, Rosco
65010360	Assembly Kit - Mirror, Heated, Remote Control, (L.S. & R.S. "Overhung" Arm) (1 Flat, 1 Convex Rearview & 1Convex Crossview Mirror) (Canada)
65010363	Assembly Kit - Mirror, Non-Heated, Remote Control, (L.S. & R.S. "Overhung" Arm) (1 Flat, 1 Convex Rearview & 1Convex Crossview Mirror) (Canada)
65010365	Assembly Kit - Mirror, Heated, Manual Control, (L.S. & R.S. "Overhung" Arm) (1 Flat, 1 Convex Rearview & 1Convex Crossview Mirror) (Conventional) (Canada)
65010368	Assembly Kit - Mirror, Non-Heated, Manual Control, (L.S. & R.S. "Overhung" Arm) (1 Flat, 1 Convex Rearview & 1Convex Crossview Mirror) (Conventional) (Canada)
65010498	Assembly Kit - Mirror, Non-Heated, Manual Control, (L.S. & R.S. "Overhung" Arm) (1 Flat, 1 Convex Rearview & 1Convex Crossview Mirror)
65010499	Assembly Kit - Mirror, Heated, Manual Control, (L.S. & R.S. "Overhung" Arm) (1 Flat, 1 Convex Rearview & 1Convex Crossview Mirror)
65010500	Assembly Kit - Mirror, Non-Heated, Remote Control, (L.S. & R.S. "Overhung" Arm) (1 Flat, 1 Convex Rearview & 1Convex Crossview Mirror)
65010501	Assembly Kit - Mirror, Heated, Remote Control, (L.S. & R.S. "Overhung" Arm) (1 Flat, 1 Convex Rearview & 1Convex Crossview Mirror)

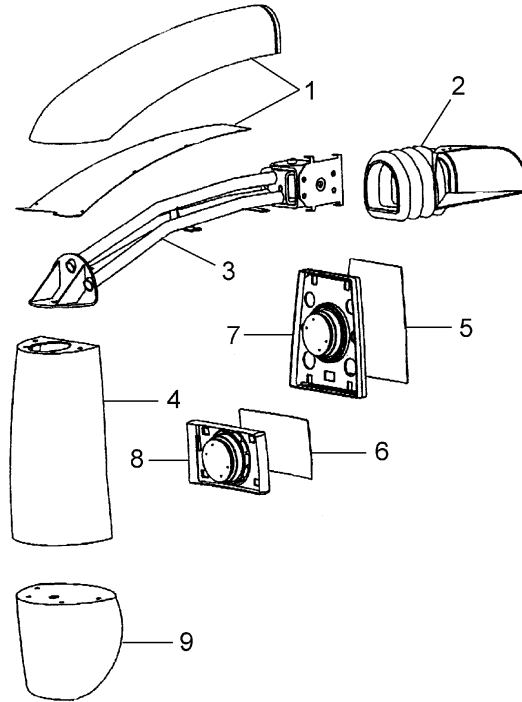
# MIRRORS

## Mirror Assembly Kits - European "Overhung" Style (Rosco)



Part No.	Description (Pairs)
65012325	Assembly Kit - Mirror, European Style Hand Adjustable, Rosco
65012326	Mirror Assembly Kit, European Style Hand Adjustable, Heated
65012327	Mirror Assembly Kit, European Style Remote Control, Rosco
65012328	Mirror Assembly Kit, European Style Heated and Remote Control, Rosco
65012341	Kit - Mirror, Rearview, Integrated Style, Heated, Hand Adjustable, Rosco
65012352	Kit - Mirror, Rearview, Integrated Style, Remote Controlled, Non-Heated, HDX, Rosco
65012353	Assembly Kit - Mirror, Rearview, Integrated Style, Heated and Remote Controlled, HDX, Rosco

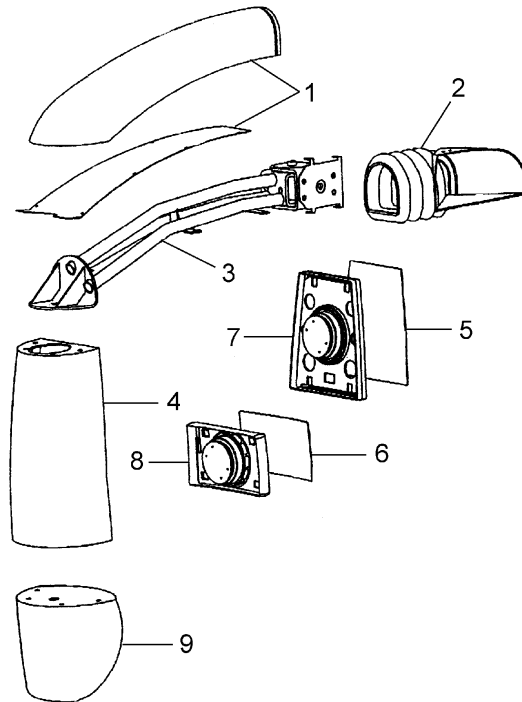
## Mirror Assembly Kits - Integrastyle "Overhung" Style (Rosco)



Item No.	Thomas No.	Rosco No.	Description
	65008722	RPS 32A2F4200H	Assembly Kit - Mirror, Heated, Motorized, "Overhung" Arm (Pair)
		RPS 32A2H4200H	Assembly Kit - Mirror, Heated, Motorized, "Overhung" Arm (Left Side)
		RPS 32A2C4200H	Assembly Kit - Mirror, Heated, Motorized, "Overhung" Arm (Right Side)
1		RPS ASY4475	Arm Cover Kit
2		RPS ASY4450	Cap Boot Assembly
3		RPS ASY4401 RPS HAR3062	Arm Assembly (Left Side) Wire Harness, Heated, Motorized
3		RPS ASY4402 RPS HAR3063	Arm Assembly (Right Side) Wire Harness, Heated, Motorized
4		RPS 1016H	Mirror Assembly Complete, Heated, Motorized (Includes Item #5, 6, 7 & 8)
5		RPS GLH6001	Glass - Flat, Heated
6		RPS GLH6501	Glass - Convex, Heated
7		RPS CAR5005	Flat Mirror Carrier & Motor Assembly (Motorized)
8		RPS CAR5004	Convex Mirror Carrier & Motor Assembly (Motorized)
		RPS HAR2012	Mirror Head Wire Harness
9		RPS 3460H RPS 3460H/1	Crossview Mirror Assembly, Heated Crossview Glass, Heated

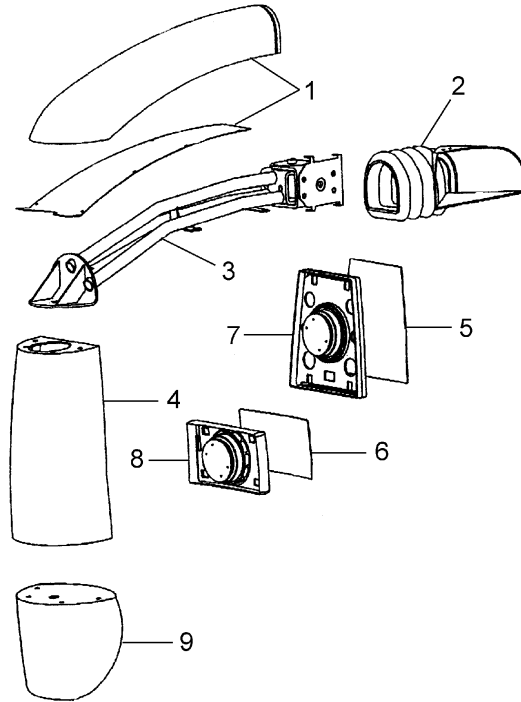
# MIRRORS

## Mirror Assembly Kits - Integrastyle "Overhung" Style (Rosco)



Item No.	Thomas No.	Rosco No.	Description
	65008723	RPS 32A2F4100H	Assembly Kit - Mirror, Non-Heated, Motorized, "Overhung" Arm (Pair)
		RPS 32A2H4100H	Assembly Kit - Mirror, Non-Heated, Motorized, "Overhung" Arm (Left Side)
		RPS 32A2C4100H	Assembly Kit - Mirror, Non-Heated, Motorized, "Overhung" Arm (Right Side)
1		RPS ASY4475	Arm Cover Kit
2		RPS ASY4450	Cap Boot Assembly
3		RPS ASY4401 RPS HAR3062	Arm Assembly (Left Side) Wire Harness, Non-Heated, Motorized
3		RPS ASY4402 RPS HAR3063	Arm Assembly (Right Side) Wire Harness, Non-Heated, Motorized
4		RPS 1016	Mirror Assembly Complete, Non-Heated, Motorized (Includes Item Nos. 5, 6, 7 & 8)
5		RPS GLA3005	Glass - Flat, Non-Heated
6		RPS GLA4009	Glass - Convex, Non-Heated
7		RPS CAR5005	Flat Mirror Carrier & Motor Assembly (Motorized)
8		RPS CAR5004	Convex Mirror Carrier & Motor Assembly (Motorized)
		RPS HAR2013	Mirror Head Wire Harness
9		RPS 3460 RPS 3460/1	Crossview Mirror Assembly, Non-Heated Crossview Glass, Non-Heated

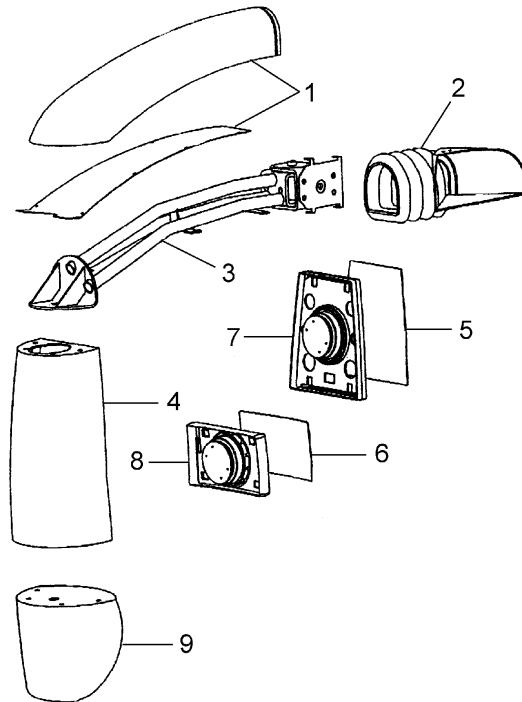
## Mirror Assembly Kits - Integrastyle "Overhung" Style (Rosco)



Item No.	Thomas No.	Rosco No.	Description
	65008724	RPS 32A2F4200G	Assembly Kit - Mirror, Non-Heated, Motorized, "Overhung" Arm (Pair)
		RPS 32A2H4200G	Assembly Kit - Mirror, Non-Heated, Motorized, "Overhung" Arm (Left Side)
		RPS 32A2C4200G	Assembly Kit - Mirror, Non-Heated, Motorized, "Overhung" Arm (Right Side)
1		RPS ASY4475	Arm Cover Kit
2		RPS ASY4450	Cap Boot Assembly
3		RPS ASY4401 HAR3062	Arm Assembly (Left Side) Wire Harness, Heated, Non-Motorized
3		RPS ASY4402 RPS HAR3063	Arm Assembly (Right Side) Wire Harness, Non-Heated, Non-Motorized
4		RPS M1016H	Mirror Assembly Complete, Heated, Non-Motorized (Includes Item #5, 6, 7 & 8)
5		RPS GLH6001	Glass - Flat, Heated
6		RPS GLH6501	Glass - Convex, Heated
7		RPS CAR5002	Flat Mirror Carrier & Motor Assembly (Non-Motorized)
8		RPS CAR5003	Convex Mirror Carrier & Motor Assembly (Non-Motorized)
9		RPS 3460 RPS 3460/1	Crossview Mirror Assembly, Heated Crossview Glass, Heated

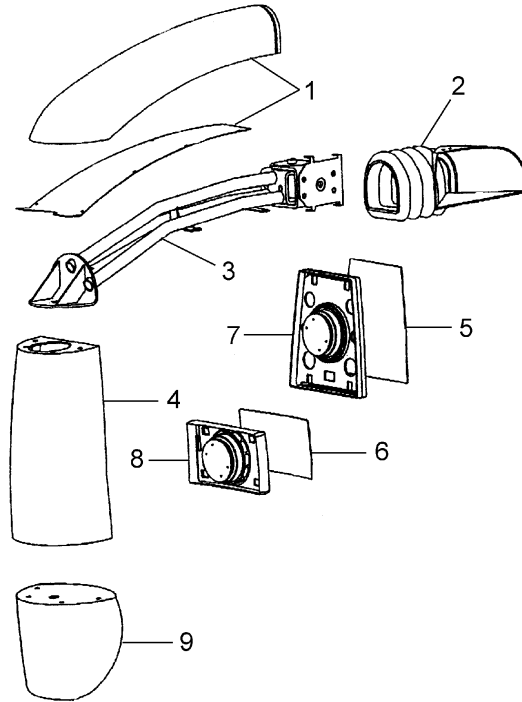
# MIRRORS

## Mirror Assembly Kits - Integrastyle "Overhung" Style (Rosco)



Item No.	Thomas No.	Rosco No.	Description
	65008725	RPS 32A2F4100G	Assembly Kit - Mirror, Non-Heated, Non-Motorized, "Overhung" Arm (Pair)
		RPS 32A2H4100G	Assembly Kit - Mirror, Non-Heated, Non-Motorized, "Overhung" Arm (Left Side)
		RPS 32A2C4100G	Assembly Kit - Mirror, Non-Heated, Non-Motorized, "Overhung" Arm (Right Side)
1		RPS ASY4475	Arm Cover Kit
2		RPS ASY4450	Cap Boot Assembly
3		RPS ASY4401 RPS HAR3056	Arm Assembly (Left Side) Wire Harness, Heated, Non-Motorized
4		RPS M1016	Mirror Assembly Complete, Non-Heated, Non-Motorized (Includes Item #5, 6, 7 & 8)
5		RPS GLA3005	Glass - Flat, Non-Heated
6		RPS GLA4009	Glass - Convex, Non-Heated
7		RPS CAR5002	Flat Mirror Carrier & Hand Swivel Assembly (Non-Motorized)
8		RPS CAR5003	Convex Mirror Carrier & Hand Swivel Assembly (Non-Motorized)
9		RPS 3460 RPS 3460/1	Crossview Mirror Assembly, Non-Heated Crossview Glass, Non-Heated

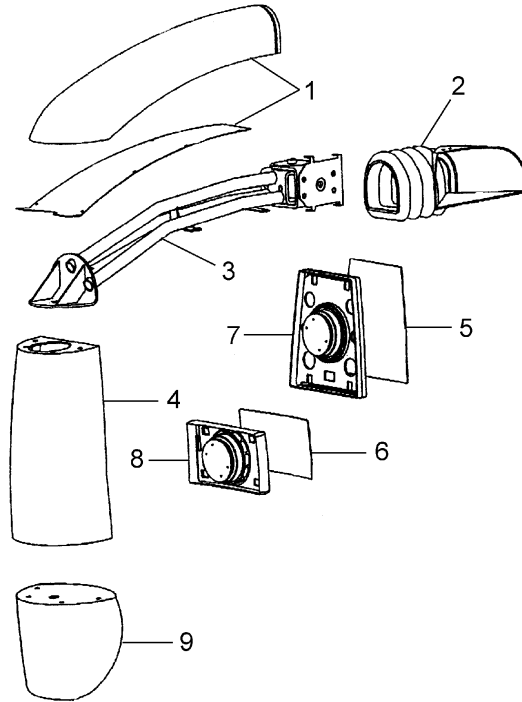
## Mirror Assembly Kits - Integrastyle "Overhung" Style (Rosco)



Item No.	Thomas No.	Rosco No.	Description
	65010360	RPS 32A2K42BBP	Assembly Kit - Mirror, Heated, Motorized, "Overhung" Arm (Pair) (Canada)
		RPS 32A2M42B0P	Assembly Kit - Mirror, Heated, Motorized, "Overhung" Arm (Left Side) (Canada)
		RPS 32A2C420BP	Assembly Kit - Mirror, Heated, Motorized, "Overhung" Arm (Right Side) (Canada)
4		RPS 1016H	Mirror Assembly Complete, Heated, Motorized (Includes Item #5, 6, 7 & 8)
5		RPS 1016H/1	Glass - Flat, Heated
6		RPS 1016DH/1	Glass - Convex, Heated
7		RPS 1016/4	Flat Mirror Carrier & Motor Assembly (Motorized)
8		RPS 1016D/4 RPS HAR2012	Convex Mirror Carrier & Motor Assembly (Motorized) Mirror Head Wire Harness

# MIRRORS

## Mirror Assembly Kits - Integrastyle "Overhung" Style (Rosco)



Item No.	Thomas No.	Rosco No.	Description
	65010363	RPS 32A2K41BBP	Assembly Kit - Mirror, Non-Heated, Motorized, "Overhung" Arm (Pair) (Canada)
		RPS 32A2M41B0P	Assembly Kit - Mirror, Non-Heated, Motorized, "Overhung" Arm (Left Side) (Canada)
		RPS 32A2C410BP	Assembly Kit - Mirror, Non-Heated, Motorized, "Overhung" Arm (Right Side) (Canada)
4		RPS 1016	Mirror Assembly Complete, Non-Heated, Motorized (Includes Item #5, 6, 7 & 8)
5		RPS 1016/1	Glass - Flat, Non-Heated
6		RPS 1016D/1	Glass - Convex, Non-Heated
7		RPS 1016/4	Flat Mirror Carrier & Motor Assembly (Motorized)
8		RPS 1016D/4 RPS HAR2012	Convex Mirror Carrier & Motor Assembly (Motorized) Mirror Head Wire Harness



## Mirror Assembly Kits - Integrastyle "Overhung" Style (Rosco)

Item No.	Thomas No.	Rosco No.	Description
	65010365	RPS 32A2K42CCP	Assembly Kit - Mirror, Heated, Non-Motorized, "Overhung" Arm (Pair) (Canada)
		RPS 32A2M42C0P	Assembly Kit - Mirror, Heated, Non-Motorized, "Overhung" Arm (Left Side) (Canada)
		RPS 32A2C420CP	Assembly Kit - Mirror, Heated, Non-Motorized, "Overhung" Arm (Right Side) (Canada)
4		RPS M1016H	Mirror Assembly Complete, Heated, Non-Motorized (Includes Item #5, 6, 7 & 8)
5		RPS 1016H/1	Glass - Flat, Heated
6		RPS 1016DH/1	Glass - Convex, Heated
7		RPS M1016/4	Flat Mirror Carrier & Motor Assembly (Non-Motorized)
8		RPS M1016D/4	Convex Mirror Carrier & Motor Assembly (Non-Motorized)

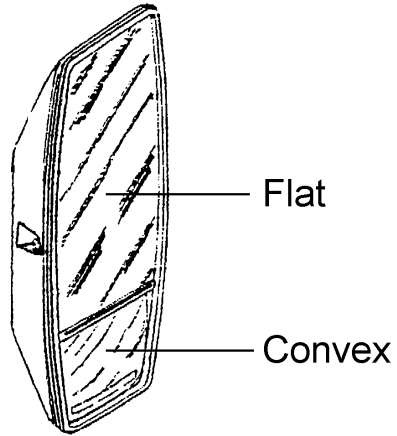
Item No.	Thomas No.	Rosco No.	Description
	65010368	RPS 32A2K41CCP	Assembly Kit - Mirror, Non-Heated, Non-Motorized, "Overhung" Arm (Pair) (Canada)
		RPS 32A2M41C0P	Assembly Kit - Mirror, Heated, Non-Motorized, "Overhung" Arm (Left Side) (Canada)
		RPS 32A2C410CP	Assembly Kit - Mirror, Heated, Non-Motorized, "Overhung" Arm (Right Side) (Canada)
4		RPS M1016	Mirror Assembly Complete, Non-Heated, Non-Motorized (Includes Item #5, 6, 7 & 8)
5		RPS 1016/1	Glass - Flat, Heated
6		RPS 1016D/1	Glass - Convex, Non-Heated
7		RPS M1016/4	Flat Mirror Carrier & Motor Assembly (Non-Motorized)
8		RPS M1016D/4	Convex Mirror Carrier & Motor Assembly (Non-Motorized)

# MIRRORS

## Mirror Assembly Kits - Integrastyle "Overhung" Style (Rosco)

Item No.	Thomas No.	Rosco No.	Description
	65010498	RPS M1016	Mirror Assembly Kit, European, Style Hand Adjustable, Rosco Head
	65010499	RPS M1016H RPS 32A2H42COP RPS 32A2C42OCP	Mirror Assembly Kit, European, Style Hand Adjustable, Rosco Head Driver's Side Assembly Passenger Side Assembly
	65010500	RPS 1016	Mirror Assembly Kit, European Style, Remote Control, Rosco Head
	65010501	RPS 1016H	Mirror Assembly Kit, European Style, Heated and Remote Control, Rosco Head
	65012325	RPS M1016	Mirror Assembly Kit, Integrated Style, Hand Adjustable, Rosco Head
	65012326	RPS M1016H	Mirror Assembly Kit, European, Style Hand Adjustable, Heated, Rosco Head
	65012327	RPS 1016	Mirror Assembly Kit, European Style, Remote Control, Rosco Head
	65012328	RPS 1016H	Mirror Assembly Kit, European Style, Heated and Remote Control, Rosco Head
	65012341	RPS M1016H RPS 32A2H42COP RPS 32A2C42OCP	Mirror Kit, Rearview, Integrated Style, Heated, Hand Adjustable, Rosco Head Driver's Side Assembly Passenger Side Assembly
	65012352	RPS 1016	Mirror Kit, Rearview, Integrated Style, Non-Heated, Remote Control, Rosco Head
	65012353	RPS 1016H	Mirror Kit, Rearview, Integrated Style, Heated, Remote Control, Rosco Head

## Mirror Kits - Transit Type, Non-Motorized (Metagal Mirror Head)

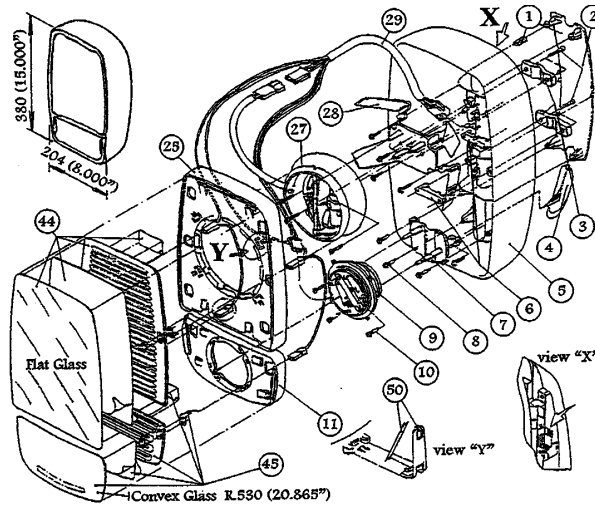


### MVP-EF/ER, ER-Transit

Thomas No.	Metagal No.	Description
65006846	23.972.00	Mirror - Transit, 15" x 8", W/ Flat & Convex Glass, Non-Heated (Pair)
65006825	20.718.00	Mirror Head, 15" x 8", W/ Flat & Convex Glass, Non-Heated, Right Side
65006826	20.356.00	Arm - Mirror Assembly, W/Mounting Bracket, Right Side
65006823	20.719.00	Mirror Head, 15" x 8", W/ Flat & Convex Glass, Non-Heated, Left Side
65006824	20.355.00	Arm - Mirror Assembly, W/Mounting Bracket, Left Side
65006847	23.971.00	Mirror - Transit, 15" x 8", W/ Flat & Convex Glass, Heated (Pair)
65006830	20.696.00-12V	Mirror Head, 15" x 8", W/ Flat & Convex Glass, Heated, Right Side
65006826	20.356.00	Arm - Mirror Assembly, W/Mounting Bracket, Right Side
65006828	20.696.00-12V	Mirror Head, 15" x 8", W/ Flat & Convex Glass, Heated, Left Side
65006824	20.355.00	Arm - Mirror Assembly, W/Mounting Bracket, Left Side
85651735		Glass - Flat, Heated
85651734		Glass - Convex, Heated

# MIRRORS

## Mirror Head, Remote Controlled, 15" (Metagal)



Item No.	Thomas No.	Metagal No.	Description
	65006832		Mirror - Transit, Left & Right Side, 15" x 8" Heated & Remote W/ Lowrr Convex
1	85650921	LRX S 20.A00.17P	Large Cover
4	85650922	LRX CP 20.A00.11-P	Small Cover
9	85651779	LRX S 20.D27.24	Small Actuator
11		LRX CP 20.A06.09	Lower Carriage
25	85651049	LRX CP 20A06.07	Upper Carriage
27	85651780	LRX S 20.A00.25	Large Actuator
44	85650980	LRX S 20.A08.35	Glass – Flat, Heated
45	85650979	LRX S 20.A08.38	Glass – Convex, Heated

## Mirror Kits - Transit Type, Remote Controlled (Metagal Mirror Head)

### MVP-EF

Thomas No.	Metagal No.	Description
65006851	23.966.00	Mirror - Transit, 15" x 8", W/ Flat & Convex Glass, Remote Controlled, Heated (Pair)
65006832	20.A08.50-12V	Mirror Head, 15" x 8", W/ Flat & Convex Glass, Remote Controlled, Heated, Right & Left
65006826	20.356.00	Arm - Mirror Assembly, W/Mounting Bracket, Right Side
65006824	20.355.00	Arm - Mirror Assembly, W/Mounting Bracket, Left Side
52002389	50.178.320	Wiring Harness, Right Side
52002386	50.179.200	Wiring Harness, Left Side
52002381	50.165.00	Remote Switch, Right Side
52002382	50.166.00	Remote Switch, Right Side

### MVP-ER & ER Transit

Thomas No.	Metagal No.	Description
65006852	23.963.00	Mirror - Transit, 15" x 8", W/ Flat & Convex Glass, Remote Controlled, Heated (Pair)
65006832	20.A08.50-12V	Mirror Head, 15" x 8", W/ Flat & Convex Glass, Remote Controlled, Heated, Right & Left
65006826	20.356.00	Arm - Mirror Assembly, W/Mounting Bracket, Right Side
65006824	20.355.00	Arm - Mirror Assembly, W/Mounting Bracket, Left Side
52002387	50.164.245	Wiring Harness, Right Side
52002384	50.167.125	Wiring Harness, Left Side
52002381	50.165.00	Remote Switch, Right Side
52002382	50.166.00	Remote Switch, Right Side

### OK Commercial

Thomas No.	Metagal No.	Description
65007319	23.883.00-12V	Mirror - Transit, 15" x 8", W/ Flat & Convex Glass, Remote Controlled, Heated (Pair)
65006832	20.A08.50-12V	Mirror Head, 15" x 8", W/ Flat & Convex Glass, Remote Controlled, Heated, Right & Left
65006826	20.356.00	Arm - Mirror Assembly, W/Mounting Bracket, Right Side
65007313	20.815.29	Arm - Mirror Assembly, W/Mounting Bracket, Left Side
52002387	50.164.245	Wiring Harness, Right Side
52002385	50.167.155	Wiring Harness, Left Side
52002381	50.165.00	Remote Switch, Right Side
52002382	50.166.00	Remote Switch, Right Side
65007315	23.100.00	Wedge Shim

### TL960 (Canada)

Thomas No.	Metagal No.	Description
65008996	23.828.00-12V	Mirror - Transit, 15" x 8", W/ Flat & Convex Glass, Remote Controlled, Heated (Pair)
	20.A08.50-12V	Mirror Head, 15" x 8", W/ Flat & Convex Glass, Remote Controlled, Heated, Right & Left
65006832	21.782.29	Arm - Mirror Assembly, W/Mounting Bracket, Right Side
	20.815.29	Arm - Mirror Assembly, W/Mounting Bracket, Left Side
52002387	50.164.245	Wiring Harness, Right Side
	50.167.155	Wiring Harness, Left Side
52002385	50.165.00	Remote Switch, Right Side
52002381	50.166.00	Remote Switch, Right Side
52002382	23.100.00	Wedge Shim
65007315	50.13.036	Wiring Harness - Heater/Timer
	20.D64.25	Timer
	50.244.20	Switch - Momentary On/Off

# MIRRORS

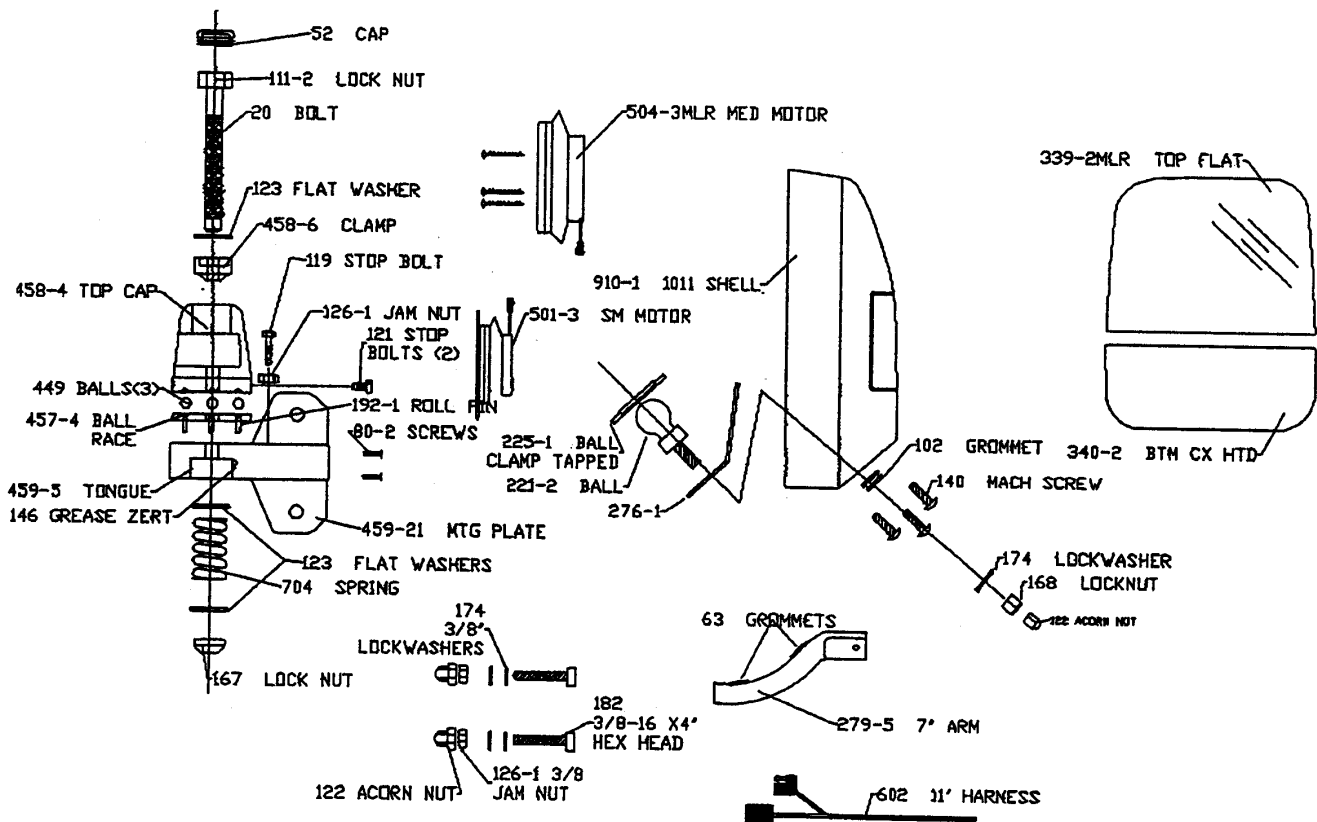
---

## Mirror Kit - B&R (Pair)

Thomas No.	B&R No.	Description
65008546	BRX 122	Mirror Kit - B & R Model 1011, Heated & Remote
	BRX 126	3/8 - 16 Acorn Nut
	BRX 174	3/8 - 16 Jam Nut
	BRX 182	3/8 Lock Washer
	BRX 683 12V 1	Bolt - 3/8-16 x 4"
	BRX A2494	Switch
	BRX A2495	Left Side Mirror Assembly Right Side Mirror Assembly

## Mirror Assembly - B&R (Left Side)

### BRX A2494

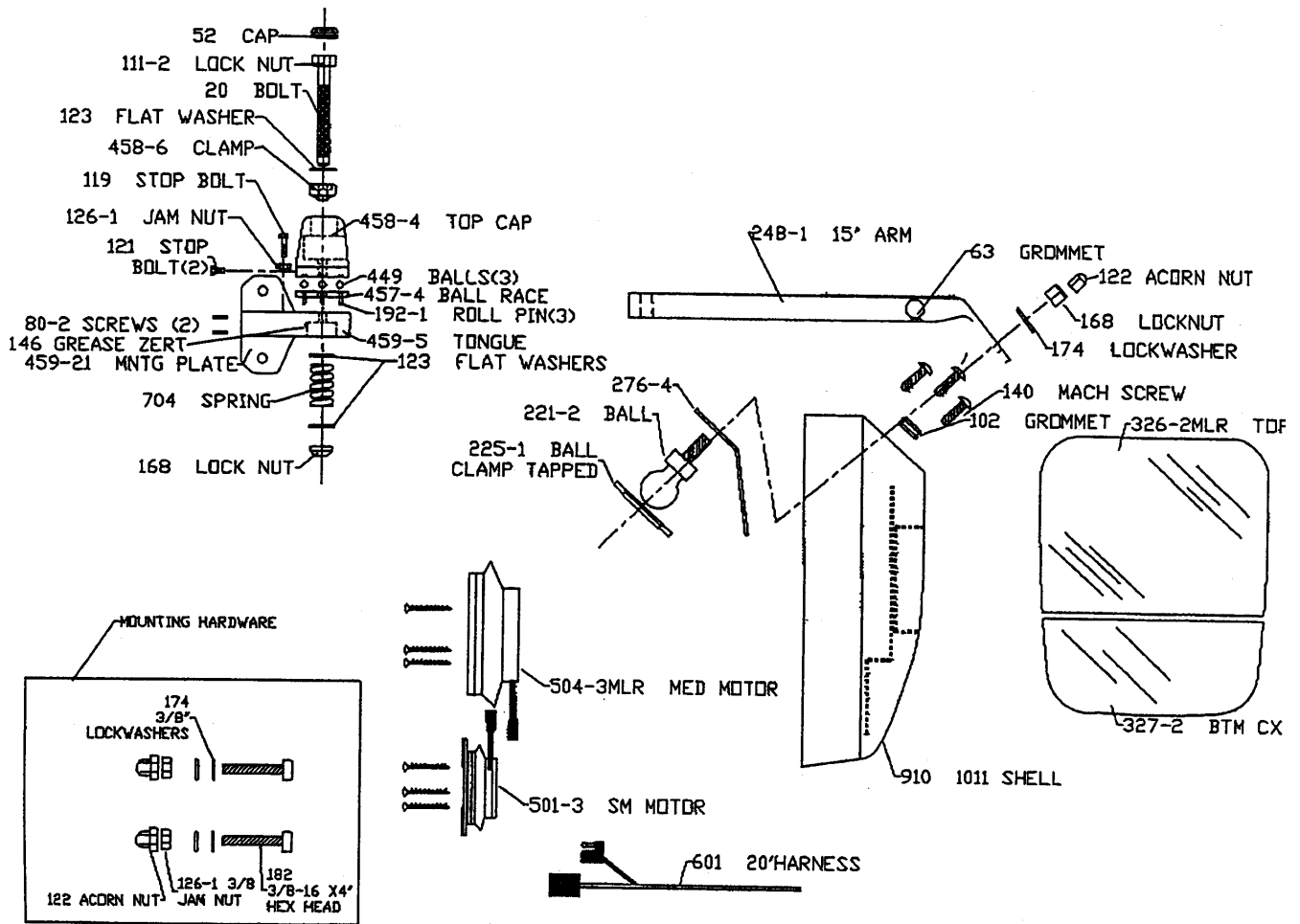


All numbers on this page use Vendor prefix BRX.

# MIRRORS

## Mirror Assembly - B&R (Right Side)

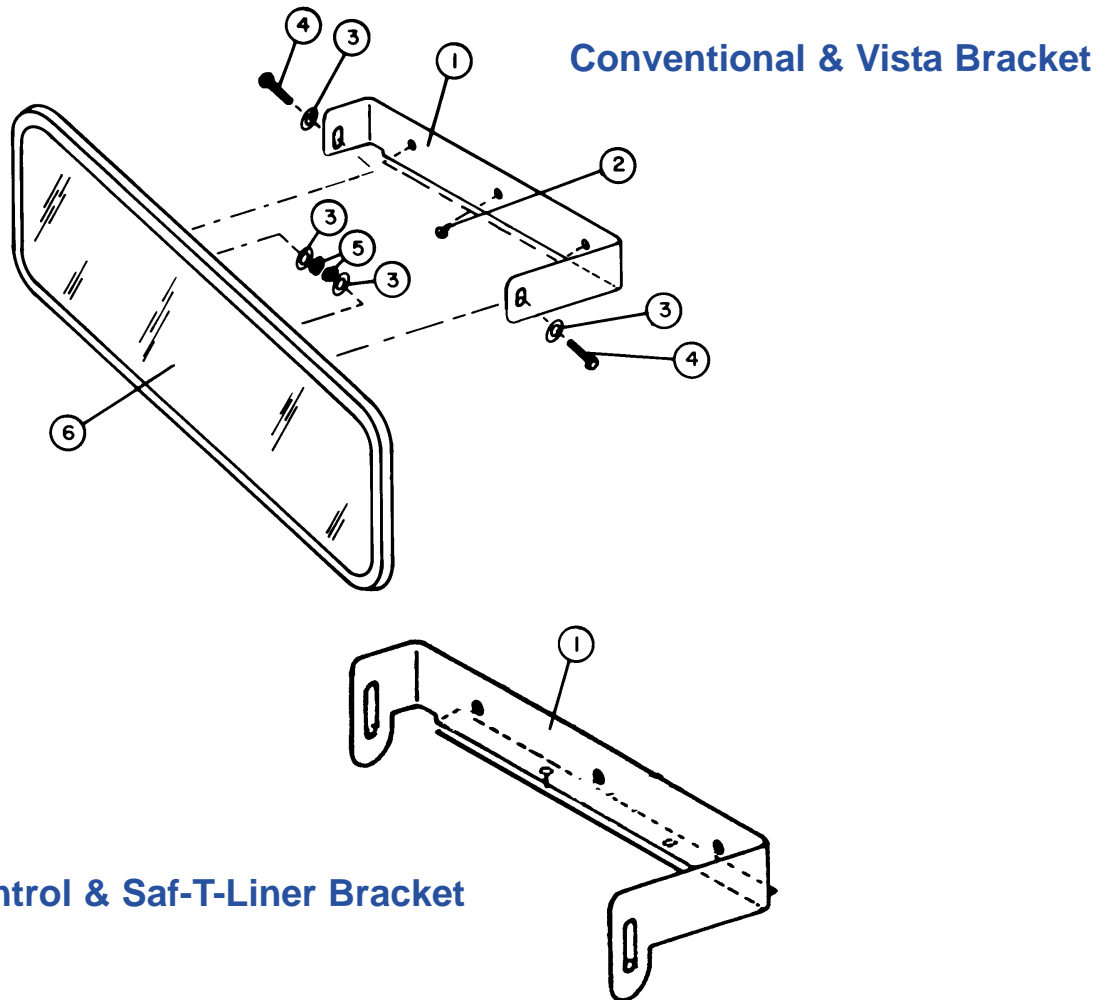
### BRX A2495



All numbers on this page use Vendor prefix BRX.



## 6" x 30" Interior

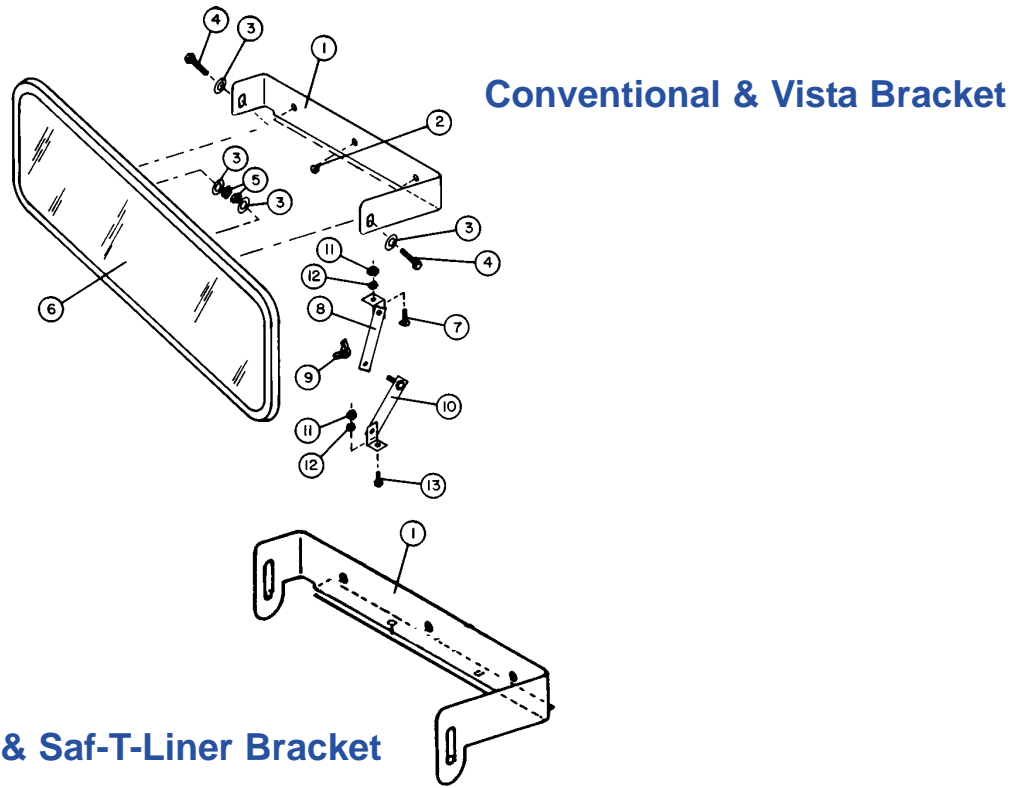


## Forward Control & Saf-T-Liner Bracket

Item No.	Part No.	Qty.	Description
1	65004375	1	Bracket - Mounting, Mirror, Conventional
	65004060	1	Bracket - Mounting, Mirror, Vista
	65000274	1	Bracket - Mounting, Mirror, Saf-T-Liner
	65006822	1	Bracket - Mounting, Mirror, 6" x 30" & 10" x 30"
2	27161648	5	Screw - Tapping, Phillips Round Head
3	27446363	4	Washer - Flat, 5/16"
4	27181566	2	Bolt - Hex, 5/16" - 18 x 3/4"
5	27120376	2	Nut - Hex, 5/16" - 18
6	65000675	1	Head - Mirror, 6" x 30", Safety Glass
	65004590	1	Head - Mirror, 6" x 30", Non-Glare
	25008373	1	Head - Mirror, 6" x 30", Clear

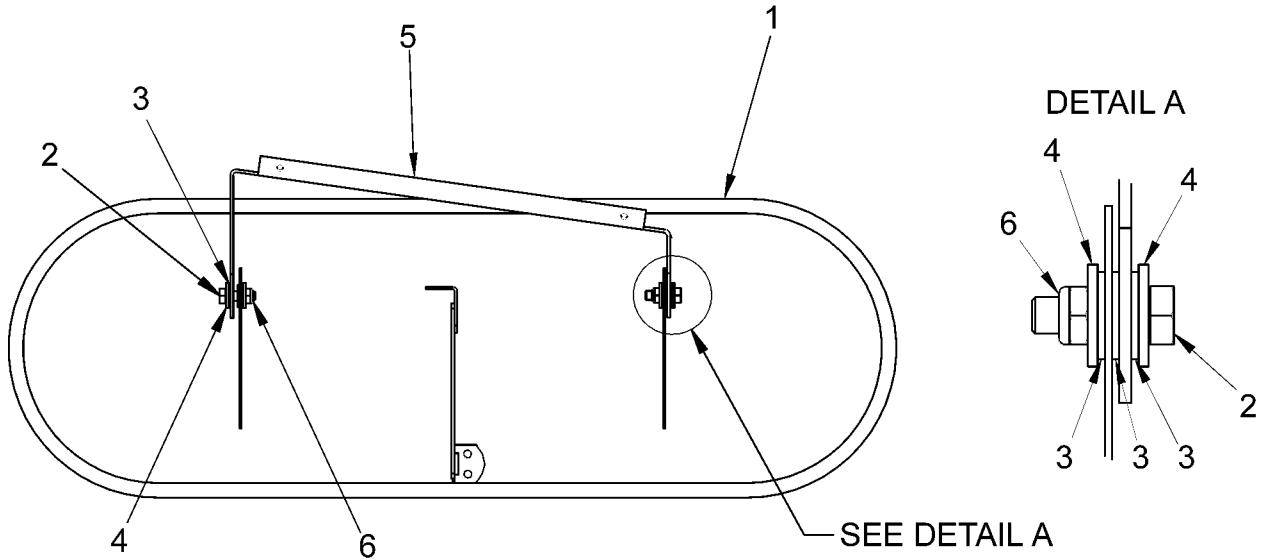
# MIRRORS

## 10" x 30" Interior



Item No.	Part No.	Qty.	Description
1	65004375	1	Bracket - Mounting, Mirror, Conventional, Vista
	65000274	1	Bracket - Mounting, Mirror, Saf-T-Liner
2	27161648	5	Screw - Tapping, #10 x 5/8", Phillips Round Head
3	27150385	4	Washer - Flat, 1/4"
4	27180128	2	Bolt - Hex, 3/8 - 16 x 1 3/4"
5	27120377	2	Nut - Hex, 3/8 - 16
6	25167366	1	Head - Mirror, 10" x 30", Clear
	65000717	1	Head - Mirror, 10" x 30", Non-Glare
7	27180016	1	Bolt - Hex, 1/4 - 20 x 1/2"
8	65001022	1	Brace - Mirror, Upper, Assembly
9	29920029	1	Nut - Wing, Locking, 1/4 - 20
10	65001021	1	Brace - Mirror, Lower, Assembly
11	27120375	2	Nut - Hex, 1/4 - 20
12	27121753	2	Washer - Lock, External Tooth
13	27180016	1	Bolt - Hex, 1/4 - 20 x 1/2"

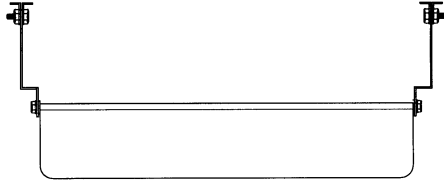
## 10" x 30" Interior



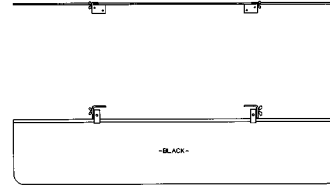
Item No.	Part No.	Qty.	Description
1	25167366	1	Mirror, Interior, 10" x 30"
2	27180079	2	Bolt, Hex Head,
3	27446363	4	Washer - Flat, 5/16
4	64004170	6	Washer - Nylon
5	65006822	1	Strap - Mounting, Pusher
6	69004092	2	Locknut, Elastic, 5/16-18

# MIRRORS

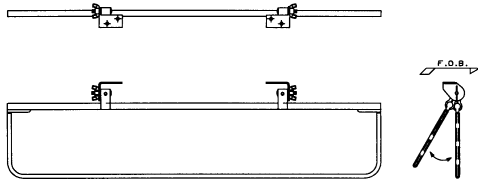
## Sun Visors



Part No.	Description
25100374	Visor - Sun, 6" x 30"
65004437	Visor - Sun, 6" x 30", Tinted Standard



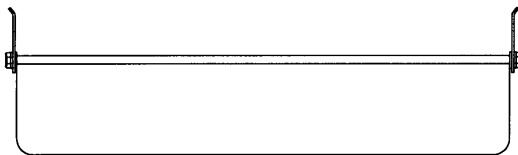
Part No.	Description
65000342	Visor - Sun, 6" x 30"



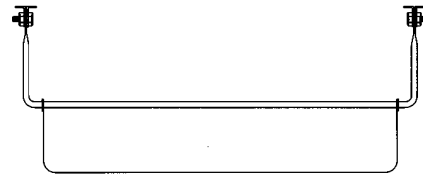
Part No.	Description
25115374	Visor - Sun, 6" x 30", Tinted Acrylic
65006945	Visor - Sun, 6" x 18", Tinted Acrylic



Part No.	Description
25002000	Visor - Sun, 6" x 30", Plexiglass, Head Mount

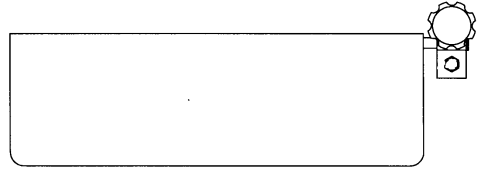
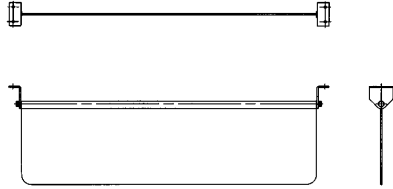


Part No.	Description
85650775	Visor - Sun, Tinted, 6" x 30", Component of 65004396, Mirror/Visor Combination (Rivets Included.)



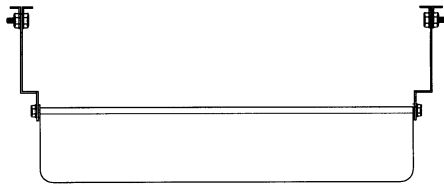
Part No.	Description
65000674	Visor - Sun, 6" x 30"

## Sun Visors



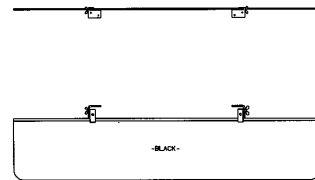
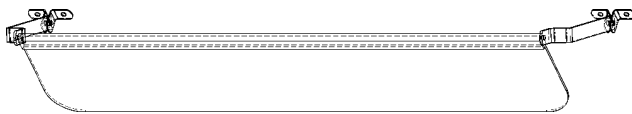
Part No.	Description
65004593	Visor - Sun, 8" x 30"

Part No.	Description
65002421	Visor - Sun, 9" x 31"



Part No.	Description
65012141	Visor - Sun, 6" x 30", Black Non Transparent Acrylic

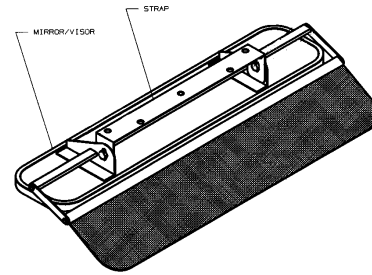
Part No.	Description
65012142	Visor - Sun, 6" x 30", Tinted Acrylic



Part No.	Description
65012140	Visor - Sun, 6" x 30", Tinted

Part No.	Description
65012144	Visor - Sun, 6" x 30", Black Non Transparent Acrylic, California

## Sun Visors



Part No.	Description
65012147	Visor - Sun, 6" x 18", Tinted Acrylic

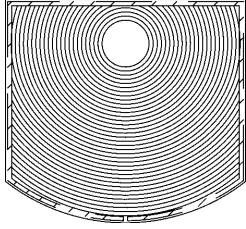
Part No.	Description
65004396	Mirror/Visor Combination, W/Tinted Visor (No Strap)
65004397	Mirror/Visor Combination, W/Opaque Visor (No Strap)
65004930	Mirror/Visor Combination Tinted, W/Protective Edge
65004375	Strap - Mounting, 1/8" x 1 5/16" x 15"
85650775	Visor - Sun, Tinted, 6" x 30" (Visor Only)
85650776	Mirror - Interior, 6" x 30" (Mirror Only)



Part No.	Description
65012146	Visor - Sun, 6" x 24", Tinted Acrylic

Part No.	Description
65012145	Visor - Sun, 6" x 30", Tinted Acrylic, 5-8% Light Transmission

## Lens - Rearscope



Part No.	Description
65006419	Lens-Rearscope "Large" 14" X 14"
85650928	Kit - Installation, Lens Rearscope "Large"
65002334	Lens - Super Vanguard, Adhesive, Wide Angle, 11" x 14"

# MIRRORS

---

---



**TABLE OF CONTENTS**

Windshield .....6.2

Rear .....6.8

Rear Emergency Door .....6.9

Side Sash .....6.11

Pushout Window .....6.15

Entrance Door .....6.17

Driver's Sash .....6.21

Storm Inserts for Driver's Sash .....6.23

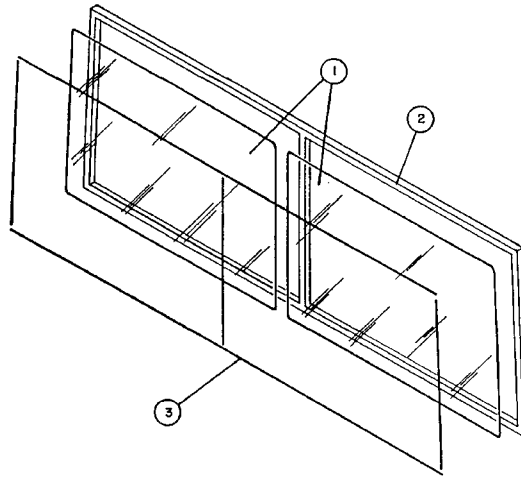
Vista - Side Front .....6.24

Side Emergency Door .....6.26

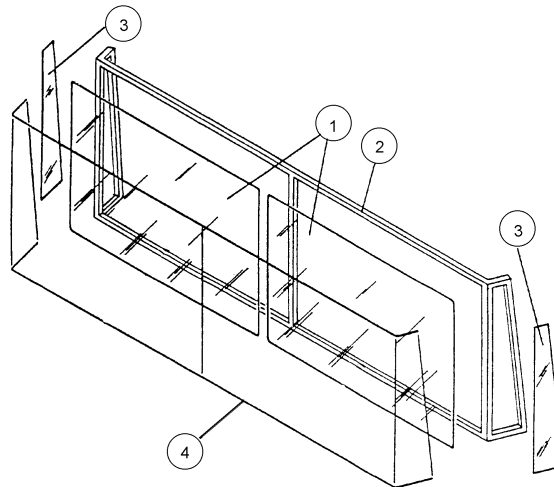
Lift Door .....6.28

## Windshield

### Conventional



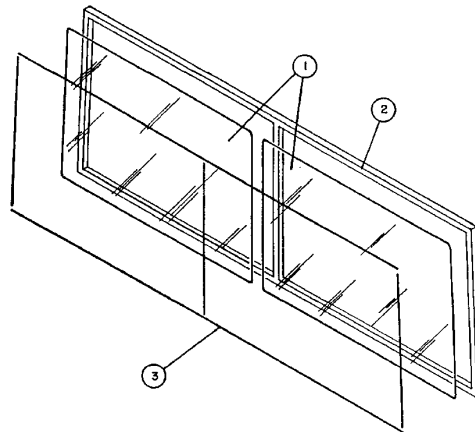
Item No.	Part No.	Qty.	Description	Year Used	Dimension
1	13003372	2	Glass - Windshield, Tinted, Band	1972 - Present	44 28/32" x 24 3/16"
1	53000068	2	Glass - Windshield, Tinted	1972 - Present	44 28/32" x 24 3/16"
2	13001372	1	Seal - Rubber, Windshield	1972 - Present	
3	25218365		Bead - Locking, Fillerstrip	1972 - Present	



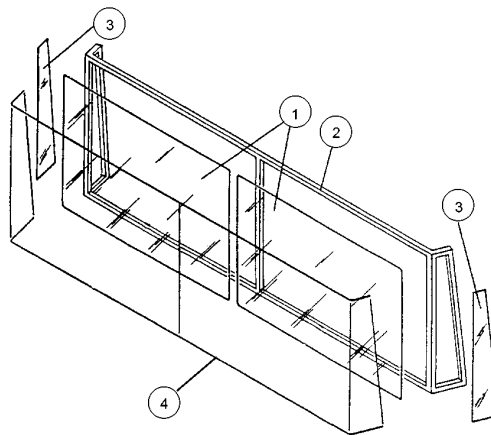
Item No.	Part No.	Qty.	Description	Year Used	Dimension
1	53002860		Glass - Laminated, AS-1 Tinted	1996 - Present	40 1/16" x 26 11/32"
	53002859		Glass - Laminated, AS-1 Tinted	1996 - Present	40 1/16" x 26 11/32"
2	53002864		Gasket, Enlarged Windshield	1996 - Present	
3	53002862		Glass - Laminated, AS-1 Tinted	1996 - Present	6 43/64 x 26 15/32"
4	25218365		Rubber - Filler Bead, #734		

Windshield

Thomas Vista

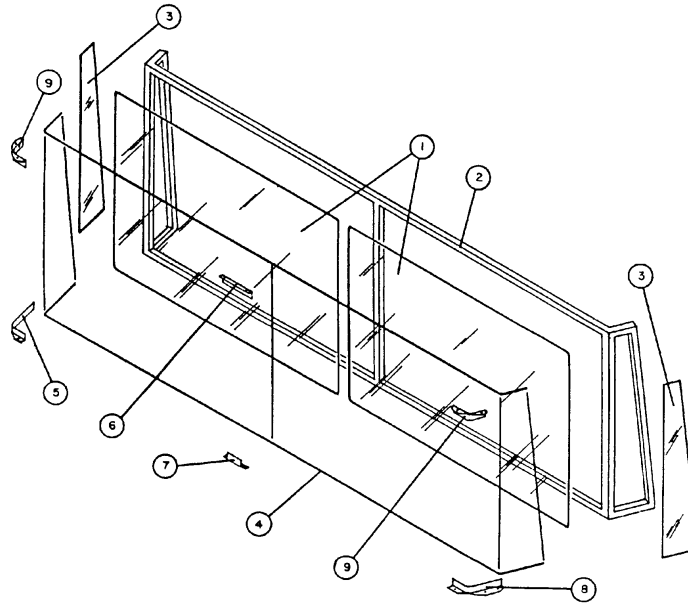


Item No.	Part No.	Qty.	Description	Year Used	Dimension
1	53000919	2	Glass - Windshield, Tinted	1989 - 1993	44 5/64" x 25 11/16"
	53000920	2	Glass - Windshield, Tinted, w/ Band	1989 - 1993	44 5/64" x 25 11/16"
2	53000863	1	Seal - Rubber, Windshield	1989 - 1993	
3	25218365	27'	Bead - Locking, Fillers	1989 - 1993	



Item No.	Part No.	Qty.	Description	Year Used	Dimension
1	53002002	2	Glass - Windshield, Tinted	1994 - Present	1/4" x 29 3/4" x 43 1/16"
	53002003	2	Glass - Windshield, Tinted w/ Band	1994 - Present	1/4" x 29 3/4" x 43 1/16"
2	53002010	1	Gasket - Windshield	01/11/94 - 10/31/94	
	53002421	1	Gasket - Front, Windshield	1994 - Present	
3	53002136	2	Glass - Side, Windshield Tinted	01/11/94 - 10/31/94	9 1/2" x 26 3/4"
	53002420	2	Glass - Side, Windshield Tinted	11-01-1994 - Present	9 7/8" x 26 3/4"
4	25218365	35'	Bead - Locking, Fillerstrip	11-01-1994 - Present	

## Windshield



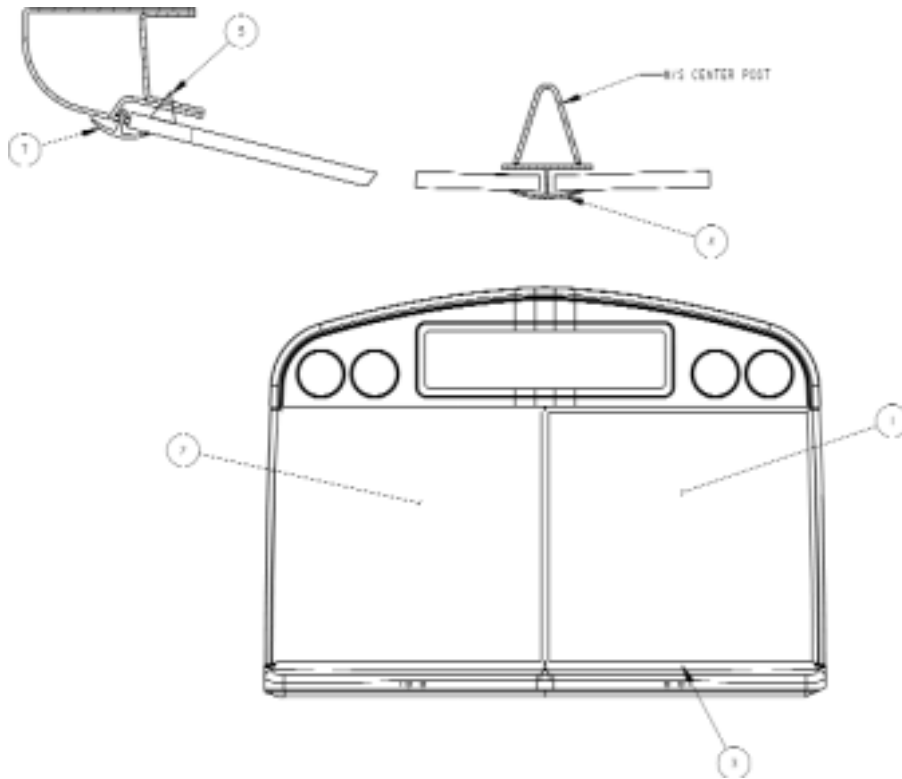
### Sat-T-Liner (1974 - August 12, 1990)

Item No.	Part No.	Qty.	Description	Year Used	Dimension
1	13004374	2	Glass - W/S, Center, Tinted, w/o Band	1974 - 1990	30 3/4" x 43 25/32"
	13005374	2	Glass - W/S, Center, Tinted, w/Band	1974 - 1990	30 3/4" x 43 25/32"
2	13001374	1	Seal - Rubber, W/S	1974 - 1990	
3	13006374	2	Glass - W/S, Side, Tinted	1974 - 1990	6" x 30 21/32"
4	25218365	30'	Bead - Locking, Fillerstrip	1974 - 1990	
5	13013377	1	Clip - Retainer, W/S, Lower Right	1974 - 1990	
6	13011377	1	Clip - Retainer, W/S, Top Center	1974 - 1990	
7	13010377	1	Clip - Retainer, W/S, Lower Center	1974 - 1990	
8	13014377	1	Clip - Retainer, W/S, Lower Left	1974 - 1990	
9	13041376	2	Clip - Retainer, W/S, Upper, Right & Left	1974 - 1990	

### Low Windshield - MVP & Sat-T-Liner (Start August 13, 1990)

Item No.	Part No.	Qty.	Description	Year Used	Dimension
1	53000901	2	Glass - W/S, Center, Fully Tinted	1990 - Present	43 21/32" x 41 19/32"
	53000902	2	Glass - W/S, Center, Tinted, w/Band	1990 - Present	43 21/32" x 41 19/32"
2	53001647	1	Seal - Rubber, W/S	1/31/92 - Present	
3	53000903	2	Glass - W/S, Side, Tinted	1990 - Present	6" x 41 31/64"
4	25218365	36'	Bead - Locking, Fillerstrip	1/31/92 - Present	
5	13013377	1	Clip - Retainer, W/S, Lower Right	1990 - Present	
6	13011377	1	Clip - Retainer, W/S, Top Center	1990 - Present	
7	13010377	1	Clip - Retainer, W/S, Lower Center	1990 - Present	
8	13014377	1	Clip - Retainer, W/S, Lower Left	1990 - Present	
9	13041376	2	Clip - Retainer, W/S, Upper, Right & Left	1990 - Present	

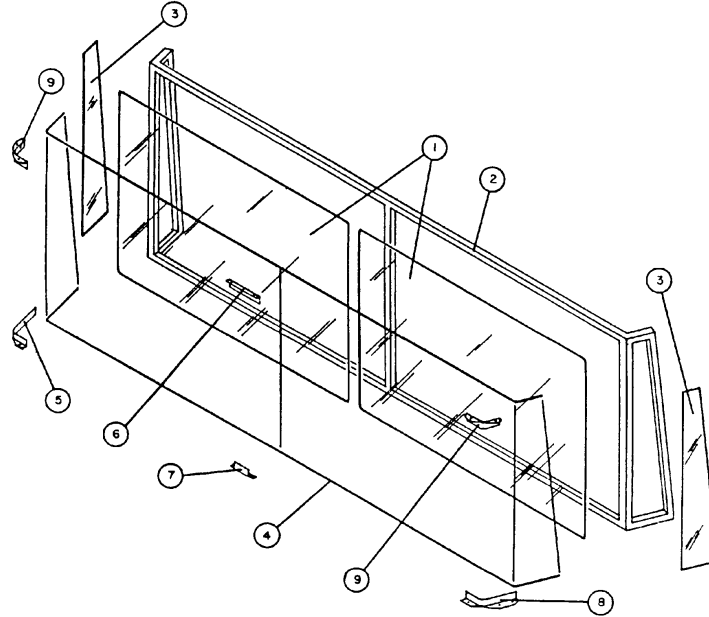
Windshield



Bonded Windshield - Saf-T-Liner (Start October 2000)

Item No.	Part No.	Qty.	Description	Year Used
1	53003183	1	Windshield, Glass, Left Side	2000 - Present
	53003382	1	Windshield, Glass, 5" Tinted Band, Left Side	
2	53003184	1	Windshield, Glass, Right Side	2000 - Present
	53003383	1	Windshield, Glass, 5" Tinted Band, Right Side	
3	45003577	6	Spacer Block, Windshield Bonding, Lower Setting, Rubber W/PSA	2000 - Present
4	45003578	1	Windshield Trim, Center Tee Molding, PVC, Black	2000 - Present
5	67000771	1	Urethane Adhesive, Sika	2000 - Present
6	45003852	1	Urethane Activator, Windshield Bonding, Sika	2000 - Present
7	45006361	1	Windshield Trim, Exterior, Tee Molding, Front	2000 - Present

## Windshield



### ALL★Star & MVP-EF

Item No.	Part No.	Qty.	Description	Year Used	Dimension
1	53001480	2	Glass - Windshield, Center, Tinted	1991 - Present	43 49/64" x 37 63/64"
	53001481	2	Glass - Windshield, Center, Tinted w/ Band	1991 - Present	43 49/64" x 37 63/64"
2	53001646	1	Seal - Rubber, Windshield	1/31/92 - Present	
3	53001483	2	Glass - Windshield, Side, Tinted	1991 - Present	6 1/8" x 37 55/64"
4	25218365	AR	Bead - Locking, Fillerstrip	1/31/92 - Present	
5	13013377	1	Clip - Retainer, Windshield, Lower Right	1991 - Present	
6	13011377	1	Clip - Retainer, Windshield, Top Center	1991 - Present	
7	13010377	1	Clip - Retainer, Windshield, Lower Center	1991 - Present	
8	13014377	1	Clip - Retainer, Windshield, Lower Left	1991 - Present	
9	13041376	2	Clip - Retainer, Windshield, Upper,	1991 - Present	

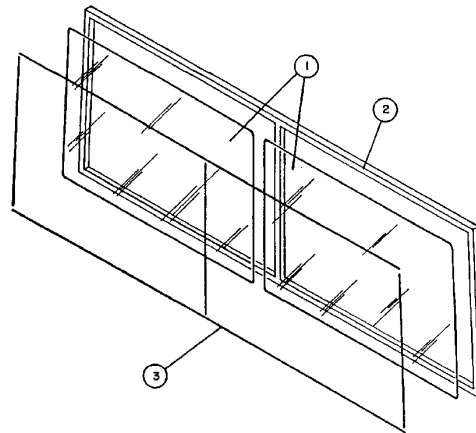


### Windshield, Upper

Part No.	Description
45003484	Windshield-Upper, W/ Destination Sign
45003485	Windshield-Upper, Black

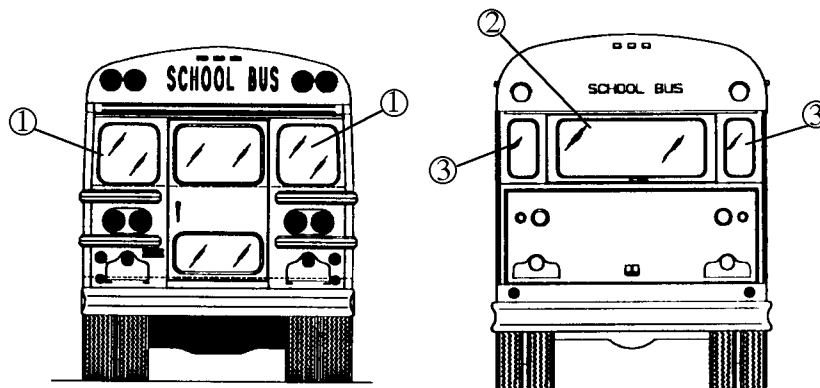
**Windshield**

**Mighty Mite**



Item No.	Part No.	Qty.	Description	Year Used	Dimension
1	13054376	2	Glass - Windshield, Tinted	1976 - 1993	38 11/32" x 27 5/16"
	53000137	2	Glass - Windshield, Tinted, w/ Band	1983 - 1993	38 11/32" x 27 5/16"
2	13055373	1	Seal - Rubber, Windshield	1976 - 1993	
3	25218365	21'	Bead - Locking, Fillerstrip	1976 - 1993	

## Rear



### Conventional, MMFC, Vista, ALL★Star & MVP-EF Standard

Item No.	Gasket Part No.	Glass Part No..	Glass Size	Type
1	15026373	15013373	20 3/4" x 21 1/32" x 7/32"	Laminated
1	15026373	55000026	20 3/4" x 21 x 1/32" x 7/32"	Laminated 28% Tint
1	15026373	15071378	20 3/4" x 21 1/32" x 3/16"	Tempered
1	15026373	55001005	20 3/4" x 21 1/32" x 3/16"	Tempered 41% Tint

### Saf-T-Liner ER, Conventional, MMFC, Vista, ALL★Star, MVP-ER

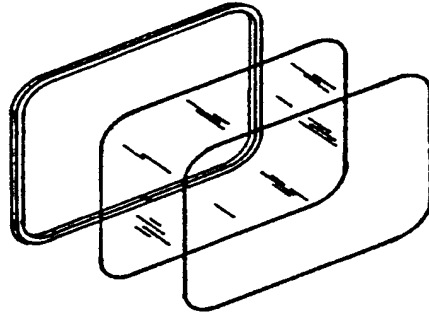
Item No.	Gasket Part No.	Glass Part No..	Glass Size	Type	Year Used
2	64004282	45001088	18" x 52 3/4" x 7/32"	Laminated, Clear	1990 - Present
2	64004282	45001091	18" x 52 3/4" x 7/32"	Laminated, 28% Tint	1990 - Present
2	64004252	45001384	18 15/16" x 53 11/16" x 3/16"	Tempered Clear,	1990 - Present
2	64004252	45001374	18 15/16" x 53 11/16" x 3/16"	Tempered, 41% Tint	1990 - Present
3	15139366	15187366	7 29/32" x 19 3/4" x 7/32"	Laminated	1974 - Present
3	15139366	55000024	7 29/32" x 19 3/4" x 7/32"	Laminated, 28% Tint	1974 - Present
3	55000725	55001008	7 29/32" x 19 3/4" x 3/16"	Tempered	1974 - Present
3	55000725	55001007	7 29/32" x 19 3/4" x 3/16"	Tempered, 41% Tint	1974 - Present
2	15178366	15176366	19 3/4 x 54 1/4 x 7/32	Laminated, Clear	1974 - 1990
2	15178366	55000022	19 3/4 x 54 1/4 x 7/32	Laminated, 28% Tint	1974 - 1990

### MMFC, Narrow Body

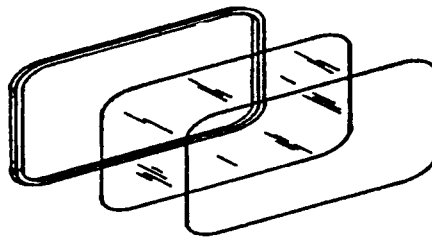
Item No.	Gasket Part No.	Glass Part No..	Glass Size	Type
1	53000863	15068378	15 1/32" x 20 3/4" x 3/16"	Tempered
1	25218365	55000023	15 1/32" x 20 3/4" x 7/32"	28% Tint
1	15026373	55001006	15 1/32" x 20 3/4" x 3/16"	41% Tint
1	25218365	15001375	15 1/32" x 20 3/4" x 7/32"	Laminated, Clear



Rear Emergency Door



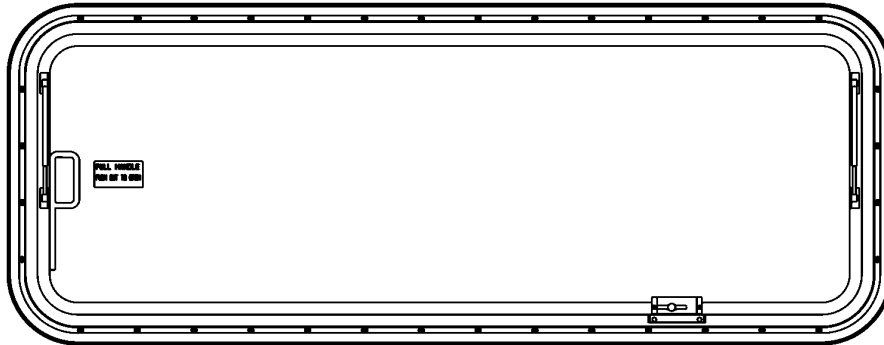
Gasket Part No.	Glass Part No..	Glass Size	Type	Location
24068378	64004174	20 5/8" x 30 19/32" x 3/16"	41% Tint	Upper
24068378	24191378	20 5/8" x 30 19/32" x 7/32"	Tempered	Upper
*64004276	24001366	19 3/4" x 29 23/32" x 7/32"	Laminated	Upper
*64004276	64000281	19 3/4" x 29 23/32 x 7/32"	28% Tint	Upper
64004284	24200366	19 11/16" x 29 21/32" x 13/16"	Storm	Upper
64004284	45004542	19.53 x 29.5 x .59	Storm, Laminated	Upper



Gasket Part No.	Glass Part No..	Glass Size	Type	Location
24067378	64004175	13 7/8" x 30 19/32" x 3/16"	41% Tint	Lower
24067378	24195378	13 7/8" x 30 19/32" x 7/32"	Tempered	Lower
*64004276	24003366	13" x 29 23/32" x 7/32"	Laminated	Lower
*64004276	64000280	13" x 29 23/32" x 7/32"	28% Tint	Lower
64004284	24201366	12 15/16" X 29 21/32" X 11/16"	Storm, Laminated	Lower
64004284	45004543	12.78 x 29.5 x .59	Storm, Laminated	Lower

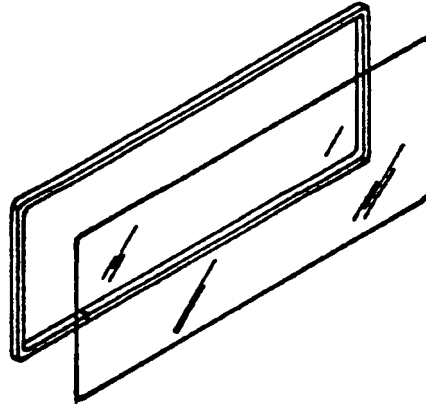
\* Fillerstrip #25218365 used with rubber. Sold by the foot.

## Rear Emergency Door



Part No.	Description
55002763 85550020	Pushout Window, Clear, Tempered, 88%, W/O Vandalock Glass (only)
55002764 85550018	Pushout Window, Clear, Laminated, 89%, W/O Vandalock Glass (only)
55002765 85550021	Pushout Window, Tinted, Tempered, 44%, W/O Vandalock Glass (only)
55002766 85550019	Pushout Window, Tinted, Laminated, 28%, W/O Vandalock Glass (only)
55002767 85550024	Pushout Window, Clear, Tempered, 88%, W/ Vandalock Glass (only)
55002768 85550022	Pushout Window, Clear, Laminated, 89%, W/ Vandalock Glass (only)
55002769 85550025	Pushout Window, Tinted, Tempered, 44%, W/ Vandalock Glass (only)
55002770 85550023	Pushout Window, Tinted, Laminated, 28%, W/ Vandalock Glass (only)

Side Sash

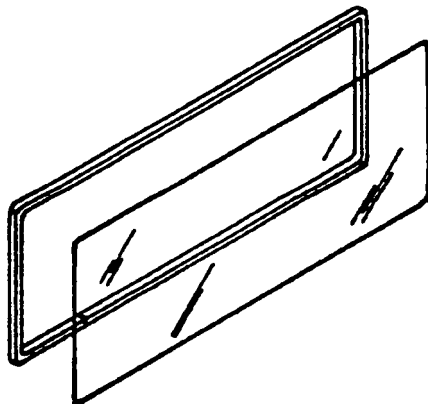


Standard Window Section  
73" Headroom (1974 - Present)

Gasket Part No.	Glass Part No.	Glass Size	Type	Location
45005741	05003378	9 15/16" x 25 1/4" x 1/8"	Tempered Clear	Upper & Lower
45000730	05016376	9 15/16" x 25 1/4" x 7/32"	Laminated Tinted Bronze	Upper & Lower
45000730	05074374	9 15/16" x 25 1/4" x 7/32"	Laminated Clear	Upper & Lower
45000730	05075374	9 15/16" x 25 1/4" x 7/32"	Laminated Tinted Green	Upper & Lower
45000730	05076374	9 15/16" x 25 1/4" x 7/32"	Tempered Clear	Upper & Lower
45005741	45001361	9 15/16" x 25 1/4" x 1/8"	Tempered 31% Tint	Upper & Lower
45000730	45001414	9 15/16" x 25 1/4" X 7/32"	Laminated 31% Tint	Upper & Lower
45005741	45002606	9 15/16" x 25 1/4" x 1/8"	Tempered 26% Tint	Upper & Lower
45000730	45002644	9 15/16" x 25 1/4" x 7/32"	Laminated 26% Tinted Gray	Upper & Lower
45001640	45005565	8 7/16" x 23 13/16" x 5/8"	Storm Tempered, Asm.	Upper & Lower
45001640	45000846	8 7/16" x 23 13/16" x 5/8"	Storm Laminated, Asm.	Upper & Lower
45001640	45001278	8 7/16" x 23 13/16" x 5/8"	*Storm Laminated, Asm.	Upper & Lower
45000730	45001688	8 7/16" x 23 13/16" x 5/8"	Storm Tempered Insert, Black	Upper & Lower

\* Painted Black

## Side Sash

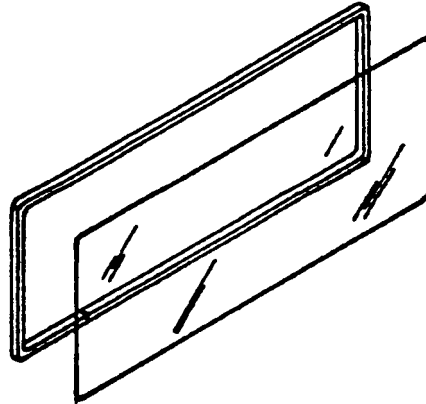


**Standard Window Section  
78" Headroom (1974 - Present)**

Gasket Part No.	Glass Part No.	Glass Size	Type	Location
45005742	05004878	12 15/16" x 25 1/4" x 1/8"	Tempered Clear	Upper & Lower
45000732	05012876	12 15/16" x 25 1/4" x 7/32"	Laminated 28% Tint	Upper & Lower
45000732	05016874	12 15/16" x 25 1/4" x 7/32"	Laminated Clear	Upper & Lower
45000732	05017874	12 15/16" x 25 1/4" x 7/32"	Laminated 70% Tint	Upper & Lower
45000732	05018874	12 15/16" x 25 1/4" x 7/32"	Tempered Clear	Upper & Lower
45001456	45001363	12 15/16" x 25 1/4" x 1/8"	Tempered 31% Tint	Upper & Lower
45000732	45001416	12 15/16" x 25 1/4" x 7/32"	Laminated 31% Tint	Upper & Lower
45005742	45002609	12 15/16" x 25 1/4" x 1/8"	Tempered 26% Tint	Upper & Lower
45000732	45002643	12 15/16" x 25 1/4" x 7/32"	Laminated 26% Tinted Gray	Upper & Lower
45001641	45005573	11 7/16" x 23 13/16" x 5/8"	Storm Tempered, Asm.	Upper & Lower
45001641	45000849	11 7/16" x 23 13/16" x 5/8"	Storm Laminated, Asm.	Upper & Lower
45001641	45001273	11 7/16" x 23 13/16" x 5/8"	*Storm Laminated, Asm.	Upper & Lower
46001641	45005577	11 7/16" x 23 13/16" x 5/8"	*Storm Tempered Insert	Upper & Lower

\* Painted Black

Side Sash



+10" Window Section  
73" Headroom (1974 - Present)

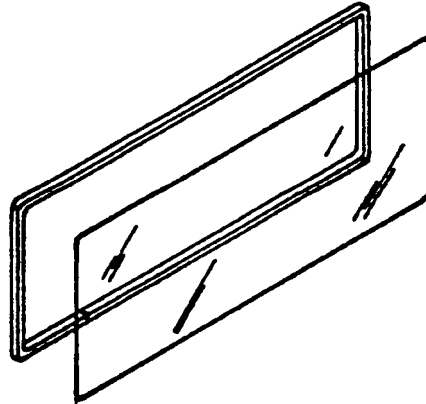
Gasket Part No.	Glass Part No.	Glass Size	Type	Location
45005743	05016378	9 15/16" x 35 1/4" x 1/8"	Tempered Clear	Upper & Lower
45005753	05017376	9 15/16" x 35 1/4" x 7/32"	Laminated 28% Tint	Upper & Lower
45005753	05078374	9 15/16" x 35 1/4" x 7/32"	Laminated Clear	Upper & Lower
45005753	05079374	9 15/16" x 35 1/4" x 7/32"	Laminated 70% Tint	Upper & Lower
45005753	05080374	9 15/16" x 35 1/4" x 7/32"	Tempered Clear	Upper & Lower
45005743	45002607	9 15/16" x 35 1/4" x 1/8"	Tempered 31% Tint	Upper & Lower
45005753	45001415	9 15/16" x 35 1/4" x 7/32"	Laminated 31% Tint	Upper & Lower
45005743	45002607	9 15/16" x 35 1/4" x 1/8"	Tempered 26% Tint	Upper & Lower
45000999	45000987	8 1/8" x 19 5/8" x 5/8"	Storm Tempered, Asm.	Vertical
45000999	45000988	8 1/8" x 19 5/8" x 5/8"	Storm Laminated, Asm.	Vertical
45000999	45001276	8 1/8" x 19 5/8" x 5/8"	*Storm Laminated, Asm.	Vertical

Storm Insert +10 W/O Vertical  
73" Headroom (March 2001 - Present)

Insert Assembly	Glass Part No.	Glass Size	Type	Location
45004576	45001604	9 5/16" x 35 1/4" x 5/8"	73" +10 Tempered Storm, Mill Insert	Upper & Lower
45004580	45001604	9 5/16" x 35 1/4" x 5/8"	73" +10 Tempered Storm, Black Insert	Upper & Lower
45004577	45004545	9 5/16" x 35 1/4" x 5/8"	73" +10 Tempered Storm, Mill Insert	Upper & Lower
45004581	45004545	9 5/16" x 35 1/4" x 5/8"	73" +10 Tempered Storm, Black Insert	Upper & Lower

\* Painted Black

## Side Sash



### +10" Window Section 78" Headroom (1974 - Present)

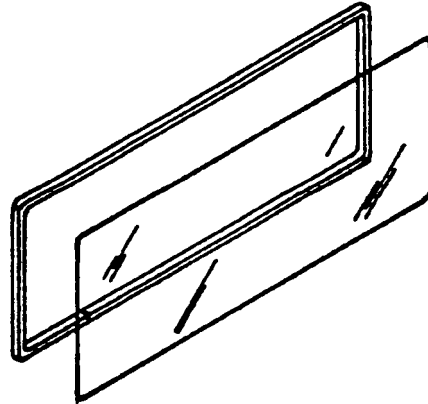
Gasket Part No.	Glass Part No.	Glass Size	Type	Location
45005744	05005878	12 15/16" x 35 1/4" x 1/8"	Tempered Clear	Upper & Lower
45000731	05013876	12 15/16" x 35 1/4" x 7/32"	Laminated 28% Tinted Green	Upper & Lower
45000731	05020874	12 15/16" x 35 1/4" x 7/32"	Laminated Clear	Upper & Lower
45000731	05022874	12 15/16" x 35 1/4" x 7/32"	Tempered Clear	Upper & Lower
45000731	05023874	12 15/16" x 35 1/4" x 7/32"	Laminated 70% Tinted Green	Upper & Lower
45005744	45002610	12 15/16" x 35 1/4" x 1/8"	Tempered 31% Tint	Upper & Lower
45000731	45001417	12 15/16" x 35 1/4" x 7/32"	Laminated 31% Tint	Upper & Lower
45000731	45001417	12 15/16" x 35 1/4" x 7/32"	Laminated 31% Tinted Gray	Upper & Lower
45001000	45000989	11 1/8" x 19 5/8" x 5/8"	Storm Tempered, Asm.	Vertical
45001000	45000990	11 1/8" x 19 5/8" x 5/8"	Storm Laminated, Asm.	Vertical
45001000	45001273	11 1/8" x 19 5/8" x 5/8"	*Storm Laminated, Asm.	Vertical

### +10" Window Section 78" Headroom (March 2001 - Present)

Insert Assembly	Glass Part No.	Glass Size	Type	Location
45004578	45001605	12 15/16" x 35 1/4" x 1/8"	78" +10 Tempered Storm, Mill Insert	Upper & Lower
45004582	45001605	12 15/16" x 35 1/4" x 1/8"	78" +10 Tempered Storm, Black Insert	Upper & Lower
45004579	45004544	12 15/16" x 35 1/4" x 1/8"	78" +10 Tempered Storm, Mill Insert	Upper & Lower
45004583	45004544	12 15/16" x 35 1/4" x 1/8"	78" +10 Tempered Storm, Black Insert	Upper & Lower

\* Painted Black

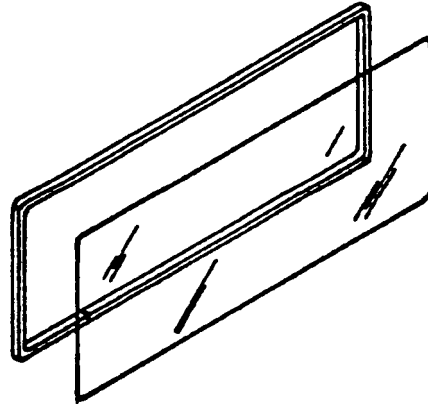
Pushout Window



Pushout Window  
73" Headroom (1974 - February 12, 2002)

Gasket Part No.	Glass Part No.	Glass Size	Type	Location
45000732	05001377	9 41/64" x 23 21/32" x 7/32"	Laminated	Upper
45000732	05002377	9 41/64" x 23 21/32" x 7/32"	Laminated, 28% Tint	Upper
45001459	45002611	9 41/64" x 23 21/32" x 1/8"	Tempered, 31% Tint	Upper
45001459	45001375	9 41/64" x 23 21/32" x 1/8"	Tempered	Upper
45001459	45002611	9 41/64" x 23 21/32" x 1/8"	Tempered 26% Tint	Upper
45000732	05003377	8 1/2" x 23 21/32" x 7/32"	Laminated	Lower
45000732	05004377	8 1/2" x 23 21/32" x 7/32"	Laminated, 28% Tint	Lower
45001459	45002612	8 1/2" x 23 21/32" x 1/8"	Tempered, 31% Tint	Lower
45001459	45001376	8 1/2" x 23 21/32" x 1/8"	Tempered	Lower
45001459	45002612	8 1/2" x 23 21/32" x 1/8"	Tempered 26% Tint	Lower

## Pushout Window

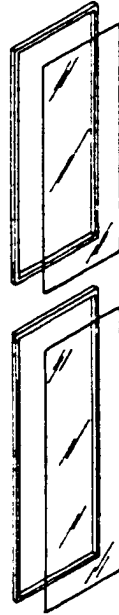


**Pushout Window**  
78" Headroom (1974 - February 12, 2002)

Gasket Part No.	Glass Part No.	Glass Size	Type	Location
45000732	05001877	12 41/64" x 23 21/32" x 7/32"	Laminated	Upper
45000732	05002877	12 41/64" x 23 21/32" x 7/32"	Laminated, 28% Tint	Upper
45005742	45002613	12 41/64" x 23 21/32" x 1/8"	Tempered, 31% Tint	Upper
45005742	45001377	12 41/64" x 23 21/32" x 1/8"	Tempered	Upper
45005742	45002613	12 41/64" x 23 21/32" x 1/8"	Tempered 26% Tint	Upper
45000732	05003877	11 1/2" x 23 21/32" x 7/32"	Laminated	Lower
45000732	05004877	11 1/2" x 23 21/32" x 7/32"	Laminated, 28% Tint	Lower
45005742	45002614	11 1/2" x 23 21/32" x 1/8"	Tempered, 31% Tint	Lower
45005742	45001378	11 1/2" x 23 21/32" x 1/8"	Tempered	Lower
45005742	45002614	11 1/2" x 23 21/32" x 1/8"	Tempered 26% Tint	Lower



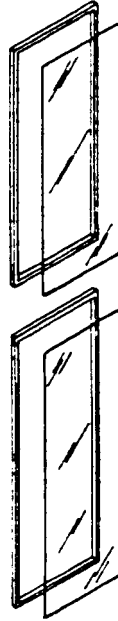
Entrance Door



Outward-Opening Entrance Door  
July 8, 1991 - Present

Gasket Part No.	Glass Part No.	Glass Size	Type	Location
24160365	24100365	11 1/2" x 29 3/16" x 7/32"	Laminated	Upper
24160365	24102365	11 1/2" x 29 3/16" x 7/32"	Tempered	Upper
24080378	24260378	11 1/2" x 29 3/16" x 5/32"	Tempered	Upper
24160365	24282365	11 1/2" x 29 3/16" x 7/32"	Laminated Tint	Upper
24160365	45005096	9 5/32" x 26 29/32" x 5/8"	Storm Tempered, Asm.	Upper
24160365	45005097	9 5/32" x 26 29/32" x 5/8"	Storm Tempered, Asm.	Upper
24080378	64004202	9 5/32" x 26 29/32" x 5/32"	Green Tempered 70%	Upper
64003240	45005098	9 3/8" x 37 15/16" x 5/8"	Storm Laminated, Asm.	Lower
64003240	45005099	9 3/8" x 37 15/16" x 5/8"	Storm Tempered, Asm.	Lower
64003240	64003242	11 1/2" x 40 1/16" x 7/32"	Laminated	Lower
64003240	64003243	11 1/2" x 40 1/16" x 7/32"	Tempered	Lower
64003240	64003244	11 1/2" x 40 1/16" x 7/32"	Laminated Tint	Lower
64003240	64003247	11 1/2" x 40 1/16" x 5/32"	Tempered	Lower
64003240	64004204	11 1/2" x 40 1/16" x 7/32"	Green Tempered 70%	Lower

## Entrance Door



### Outward-Opening Entrance & Jackknife Door Glass 1965 - July 7, 1991\*

(\*With exception of Saf-T-Liner February 8, 1991 to July 8, 1991. See Saf-T-Liner Jackknife entrance Door Chart.)

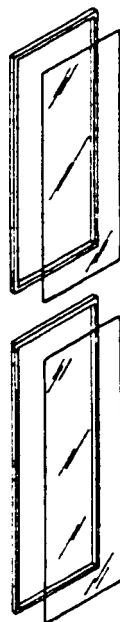
Gasket Part No.	Glass Part No.	Glass Size	Type	Location
24160365	24100365	11 1/2" x 29 3/16" x 7/32"	Laminated	Upper
24160365	24102365	11 1/2" x 29 3/16" x 7/32"	Tempered	Upper
24160365	24282365	11 1/2" x 29 3/16" x 7/32"	Laminated Tint	Upper
24080378	24260378	11 1/2" x 29 3/16" x 5/32"	Tempered	Upper
24080378	64004202	11 1/2" x 29 3/16" x 5/32"	Tempered Tint	Upper
24160365	45000885	9 5/32" x 26 29/32" x 5/8"	Storm Tempered, Asm.	Upper
24160365	45000884	9 5/32" x 26 29/32" x 5/8"	Storm Laminated, Asm.	Upper
24158365	24101365	11 1/2" x 33 9/16" x 7/32"	Laminated	Lower
24158365	24103365	11 1/2" x 33 9/16" x 7/32"	Tempered	Lower
24158365	24283365	11 1/2" x 33 9/16" x 7/32"	Laminated Tint	Lower
24081378	24261378	11 1/2" x 33 9/16" x 5/32"	Tempered	Lower
24081378	64004203	11 1/2" x 33 9/16" x 5/32"	Tempered Tint	Lower
24158365	45000887	9 5/32" x 37 15/16" x 5/8"	Storm Tempered, Asm.	Lower
24158365	45000886	9 5/32" x 37 15/16" x 5/8"	Storm Laminated, Asm.	Lower

## Entrance Door

**Saf-T-Liner Jackknife Entrance Door Glass**  
**Starting 2/8/91, Body #63943 - Ending 7/8/91 Body #78799**

Gasket Part No.	Glass Part No.	Glass Size	Type	Location
64002989	64002890	8 7/16" x 29 3/16" x 7/32"	Laminated	Upper Front
64002989	64002892	8 7/16" x 29 3/16" x 7/32"	Laminated Tint	Upper Front
64002885	64002895	8 7/16" x 29 3/16" x 5/32"	Tempered	Upper Front
64002991	64002903	14 9/16" x 29 3/16" x 7/32"	Laminated	Upper Rear
64002991	64002905	14 9/16" x 29 3/16" x 7/32"	Laminated Tint	Upper Rear
64002887	64002908	14 9/16" x 29 3/16" x 5/32"	Tempered	Upper Rear
64002990	64002896	8 7/16" x 29 3/16" x 7/32"	Laminated	Upper Rear
64002990	64002898	8 7/16" x 29 3/16" x 7/32"	Laminated Tint	Upper Rear
65002886	64002901	8 7/16" x 29 3/16" x 5/32"	Tempered	Lower Front
64002992	64002909	14 9/16" x 29 3/16" x 7/32"	Laminated	Lower Front
64002992	64002911	14 9/16" x 29 3/16" x 7/32"	Laminated Tint	Lower Front
64002888	64002914	14 9/16" x 29 3/16" x 5/32"	Tempered	Lower Front

## Entrance Door

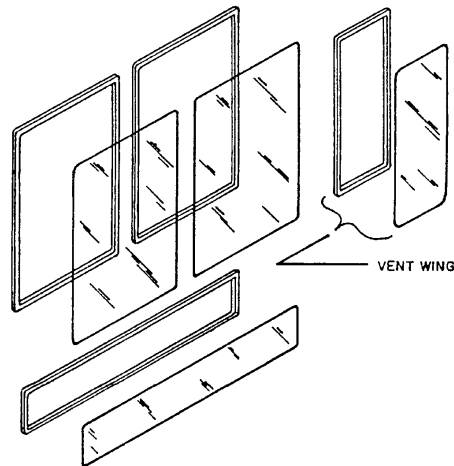


**Jackknife Entrance Door Glass**  
July 8, 1991 - Present

Gasket Part No.	Glass Part No.	Glass Size	Type	Location
64002989	64002890	8 7/16" x 29 3/16" x 7/32"	Laminated	Upper Front
64002989	64002892	8 7/16" x 29 3/16" x 7/32"	Laminated Tint	Upper Front
64002885	64002895	8 7/16" x 29 3/16" x 5/32"	Tempered	Upper Front
64002989	45005115	6 19/64" x 27 3/64" x 5/8"	Storm Laminated, Asm.	Upper Front
64002989	45005116	6 19/64" x 27 3/64" x 5/8"	Storm Tempered, Asm.	Upper Front
64002991	64002903	14 9/16" x 29 3/16" x 7/32"	Laminated	Upper Front
64002991	64002905	14 9/16" x 29 3/16" x 7/32"	Laminated Tint	Upper Rear
64002887	64002908	14 9/16" x 29 3/16" x 5/32"	Tempered	Upper Rear
64002991	45005100	12 27/64" x 27 3/64" x 5/8"	Storm Laminated, Asm.	Upper Rear
64002991	45005103	12 27/64" x 27 3/64" x 5/8"	Storm Tempered, Asm.	Upper Rear
64003053	64003044	8 7/16" x 37 15/16" x 7/32"	Laminated	Lower Front
64003053	64003046	8 7/16" x 37 15/16" x 7/32"	Laminated Tint	Lower Front
64003051	64003049	8 7/16" x 37 15/16" x 5/32"	Tempered	Lower Front
64003053	45005105	6 19/64" x 35 51/64" x 5/8"	Storm Laminated, Asm.	Lower Front
64003053	45005106	6 19/64" x 35 51/64" x 5/8"	Storm Tempered, Asm.	Lower Front
64003052	64003037	14 9/16" x 37 15/16" x 7/32"	Laminated	Lower Rear
64003052	64003039	14 9/16" x 37 15/16" x 7/32"	Laminated Tint	Lower Rear
64003050	64003042	14 9/16" x 37 15/16" x 5/32"	Tempered	Lower Rear
64003052	45005104	12 27/64" x 35 51/64" x 5/8"	Storm Laminated, Asm.	Lower Rear
64003052	45005114	12 27/64" x 35 51/64" x 5/8"	Storm Tempered, Asm.	Lower Rear

## Driver's Sash

End Date 12/11/96 - Conventional & Vista  
 Start Date 10/8/96 - MVP-EF, MVP-ER, ER Transit



### Conventional & Vista

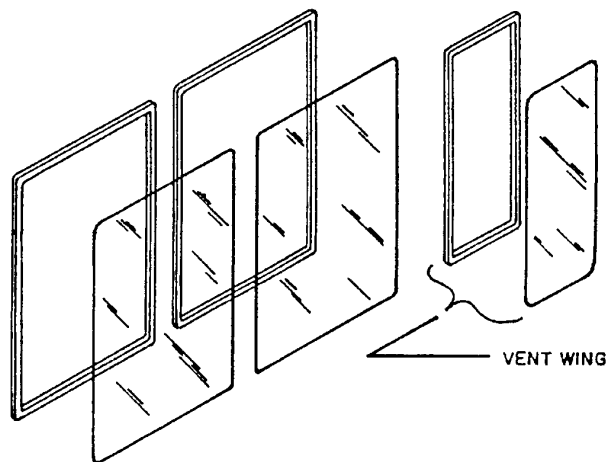
Gasket Part No.	Glass Part No.	Glass Size	Type	Location
45000239	05001372	15" X 22 31/32" x 7/32"	Tempered Clear	Front & Rear
45000239	05006372	15" X 22 31/32" x 7/32"	Laminated Clear	Front & Rear
45000239	05002372	15" X 22 31/32" x 7/32"	Laminated 70% Tint	Front & Rear
45000239	45001385	15" X 22 31/32" x 3/16"	Laminated 70% Tint	Front & Rear
45000732	05004372	15" X 22 31/32" x 1/4"	Plate Clear	Front & Rear
45000239	05003372	15" X 22 31/32" x 7/32"	Tempered 70% Tint	Front & Rear
45000241	05041372	7 19/32" x 20 35/64" x 7/32"	Tempered Clear	Wing Vent
45000241	05039372	7 19/32" x 20 35/64" x 7/32"	Laminated Clear	Wing Vent
45000241	05022375	7 19/32" x 20 35/64" x 1/4"	Plate Laminated	Wing Vent
45000241	05040372	7 19/32" x 20 35/64" x 7/32"	Laminated 70% tint	Wing Vent

### Pusher Only

Gasket Part No.	Glass Part No.	Glass Size	Type	Location
45000936	05001375	5 5/8" x 31 1/4" x 7/32"	Laminated 70% Tint	Lower
45000936	05002375	5 5/8" x 31 1/4" x 7/32"	Tempered 70% Tint	Lower
45000936	05003375	5 5/8" x 31 1/4" x 7/32"	Plate 705 tint	Lower

## Driver's Sash

Start Date 12/12/96 - Conventional & Vista  
 Start Date 10/9/96 - MVP-EF, MVP-ER, ER Transit  
 End Date 3/24/04



### Conventional & Vista

Gasket Part No.	Glass Part No.	Glass Size	Type	Location
45005752	45000858	5/8" X 14 7/8" x 22 1/2"	Tempered Storm	Front
45005752	45000859	5/8" x 14 7/8" x 22 1/2"	Laminated Storm	Front
45005752	45003139	7/32" x 14 17/8" x 21 7/8"	Tempered Clear	Front & Rear
45005752	45003140	7/32" x 14 17/8" x 21 7/8"	Laminated Tint	Front & Rear
45005752	45003141	1/4" x 14 17/8" x 21 7/8"	Plate Clear	Front & Rear
45005752	45003142	1/4" x 14 17/8" x 21 7/8"	Plate Tint	Front & Rear
45005752	45003143	7/32" x 14 17/8" x 21 7/8"	Laminated Clear	Front & Rear
45005752	45003144	3/16" x 14 17/8" x 21 7/8"	Tempered Clear	Front & Rear
45005752	45003147	3/16" x 14 17/8" x 21 7/8"	Tempered Tint	Front & Rear

### Pusher

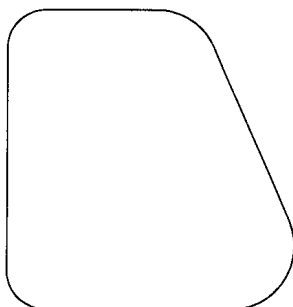
Gasket Part No.	Glass Part No.	Glass Size	Type	Location
45000681	45003150	7/32 x 28 1/6" x 14 7/8"	Laminated Tint	Front & Rear
45000681	45003151	1/4 x 28 1/6" x 14 7/8"	Plate Clear	Front & Rear
45000681	45003152	1/4 x 28 1/6" x 14 7/8"	Plate Tint	Front & Rear
45000681	45003153	7/32 x 28 1/6" x 14 7/8"	Laminated Clear	Front & Rear
45000681	45003154	3/16 x 28 1/6" x 14 7/8"	Tempered Clear	Front & Rear
45000681	45003157	3/16 x 28 1/6" x 14 7/8"	Tempered Tint	Front & Rear

Refer to page 6-22 for Storm Inserts.

## Storm Inserts for Driver's Sash

Glass Part No.	Type	Location	Glass Only Part No.
45000833	Laminated, Mill	Front	45000859
45001242	Laminated Tint, Mill	Front	45001232
45000832	Tempered, Mill	Front	45000858
45000834	Tempered, Mill	Rear	45000858
45000835	Laminated, Mill	Rear	45000859
45001243	Laminated, Mill	Rear	45001232
45000675	Laminated, Black	Front	45000859
45000676	Laminated, Black	Rear	45000859
45001728	Tempered, Black	Front	45000859
45001729	Tempered, Black	Front	45000858

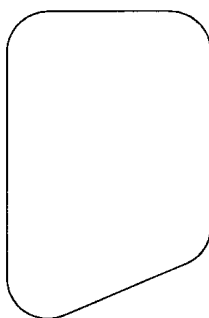
## Vista - Side Front



### Upper Step & Driver's Side 1989 - 1993

Gasket Part No.	Glass Part No.	Glass Size	Type	Location
53000929	45001027	23 23/32" x 24 25/32"	Tempered	Upper
53000929	45001028	23 23/32" x 24 25/32"	Laminated	Upper
53000929	45001029	23 23/32" x 24 25/32"	Tempered Tint	Upper
53000929	45001030	23 23/32" x 24 25/32"	Laminated Tint	Upper
*64004286	45001053	23 23/32" x 24 25/32"	Storm	Upper

\*25218365 Rubber - Filler Bead



### Lower Step Side 1989 - 1993

Gasket Part No.	Glass Part No.	Glass Size	Type	Location
53000928	45001032	15 7/8" x 24 5/32"	Tempered	Lower
53000928	45001033	15 7/8" x 24 5/32"	Laminated	Lower
53000928	45001034	15 7/8" x 24 5/32"	Tempered, Tint	Lower
53000928	45001035	15 7/8" x 24 5/32"	Laminated, Tint	Lower
*64004285	45001051	15 7/8" x 24 5/32"	Storm	Lower

\*25218365 Rubber - Filler Bead



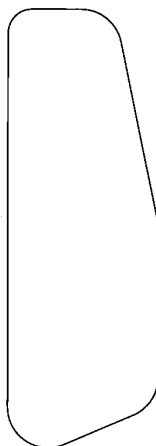
**Vista - Side Front**



**Driver's Side  
Effective 1/17/94 - Present**

Gasket Part No.	Glass Part No.	Glass Size	Type	Location
64004276	45001531	24 3/8" High x 7/32" Thick	Laminated Clear	Upper
64004273	45001533	24 3/8" High x 7/32" Thick	Laminated, 70% tint	Upper
*64004284	45001535	24 3/8" High x 7/32" Thick	Thermopane, Tinted	Upper

\*25218365 Rubber - Filler Bead

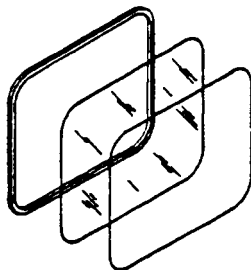


**Door Side  
1994 - Present**

Gasket Part No.	Glass Part No.	Glass Size	Type	Location
64004282	45001538	50 5/32" x 17 9/32" x 7/32"	Laminated Clear	Lower
64004282	45001540	50 11/64" x 17 9/32" x 7/32"	Thermopane, Tinted	Lower
64004401	45001542	50 11/64" x 17 9/32" x 7/32"	Laminated, 70% Tint	Lower

\*25218365 Rubber - Filler Bead

## Side Emergency Door



### 73" Headroom 1984 - Present

Gasket Part No.	Glass Part No.	Glass Size	Type
64004248	45001379	18 3/8" x 21 3/16" x 3/16"	Tempered Clear
64004248	45001369	18 3/8" x 21 3/16" x 3/16"	Tempered 41% Tint
*64004276	45000347	17 1/2" x 20 5/16" x 7/32"	Laminated Clear
*64004276	45000349	17 1/2" x 20 5/16" x 7/32"	Laminated 28% Tint

\*Fillerstrip 25218365 used with rubber. Sold by the foot.

### 73" Headroom 1965 - 1983

Gasket Part No.	Glass Part No.	Glass Size	Type
*64004276	24097365	18 5/16" x 25 13/16" x 3/16"	Tempered
*64004276	24096365	18 5/16" x 25 13/16" x 3/16"	Laminated

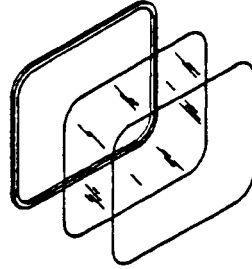
\*Fillerstrip 25218365 used with rubber. Sold by the foot.

### Wide Door - B5160-01-000 73" Headroom 1984 - Present

Gasket Part No.	Glass Part No.	Glass Size	Type
64004249	45001380	18 5/16" x 25 13/16" x 3/16"	Tempered Clear
64004249	45001370	18 5/16" x 25 13/16" x 3/16"	Tempered 41% Tint
*64004276	24094342	17 1/2" x 24 7/8" x 7/32"	Laminated Clear
*64004276	45000344	17 1/2" x 24 7/8" x 7/32"	Laminated 28% Tint

\*Fillerstrip 25218365 used with rubber. Sold by the foot.

## Side Emergency Door



### 78" Headroom 1984 - Present

Gasket Part No.	Glass Part No.	Glass Size	Type
64004250	45001381	21 3/16" x 24 1/8" x 3/16"	Tempered Clear
64004250	45001371	21 3/16" x 24 1/8" x 3/16"	Tempered 41% Tint
*64004276	45000352	20 5/16" x 23 1/4" x 7/32"	Laminated Clear
*64004276	45000354	20 5/16" x 23 1/4" x 7/32"	Laminated 28% Tint

\*Fillerstrip 25218365 used with rubber. Sold by the foot.

### 78" Headroom 1965 - 1983

Gasket Part No.	Glass Part No.	Glass Size	Type
*64004276	24095365	20 5/16" x 24 7/8" x 7/32"	Tempered
*64004276	24094365	20 5/16" x 24 7/8" x 7/32"	Laminated

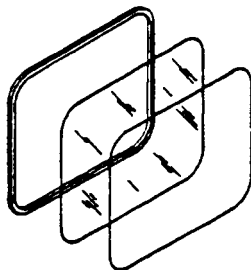
\*Fillerstrip 25218365 used with rubber. Sold by the foot.

### Wide Door - B5160-01-000 78" Headroom 1984 - Present

Gasket Part No.	Glass Part No.	Glass Size	Type
64004251	45001421	21 3/16" x 25 3/4" x 3/16"	Tempered Clear
64004251	45001422	21 3/16" x 25 3/4" x 3/16"	Tempered 41% Tint
*64004276	24094365	20 5/16" x 24 7/8" x 7/32"	Laminated Clear
*64004276	05014876	20 5/16" x 24 7/8" x 7/32"	Laminated 28% Tint

\*Fillerstrip 25218365 used with rubber. Sold by the foot.

## Lift Door



### 42" Lift Door 1993 - Present 73" & 78" Headroom

Gasket Part No.	Glass Part No.	Glass Size	Type
*64004276	24001366	19 3/4" x 29 23/32" x 7/32"	Laminated Clear
*64004276	64000281	19 3/4" x 29 23/32" x 7/32"	Laminated 28% Tint
64004284	24200366	19 11/16" x 29 21/32" x 13/16"	Storm
64004284	24191378	20 5/8" x 30 19/32" x 7/32"	Tempered Clear

\*Fillerstrip 25218365 used with rubber. Sold by the foot.

### 73" Headroom 1984 - 1993

Gasket Part No.	Glass Part No.	Glass Size	Type
*64004276	45000357	17 1/2" x 28 7/8" x 7/32"	Laminated
*64004276	45000358	17 1/2" x 28 7/8" x 7/32"	Tempered
*64004276	45000359	17 1/2" x 28 7/8" x 7/32"	Laminated 28% Tint
*64004284	64002030	17 7/16" x 28 15/16" x 3/4" x 7/32"	Storm

\*Fillerstrip 25218365 used with rubber. Sold by the foot.

### 78" Headroom 1984 - 1993

Gasket Part No.	Glass Part No.	Glass Size	Type
*64004276	45000362	22 1/4" x 28 7/8" x 7/32"	Laminated
*64004276	45000363	22 1/4" x 28 7/8" x 7/32"	Tempered
*64004276	45000364	22 1/4" x 28 7/8" x 7/32"	Laminated 28% Tint
*24188366	64002031	22 3/16" x 28 15/16" x 3/4"	Storm

\*Fillerstrip 25218365 used with rubber. Sold by the foot.

**TABLE OF CONTENTS**

Side Sash & Pushout Sash Latches .....7.2

Driver's Window, SpectAL Spare Parts Chart .....7.5

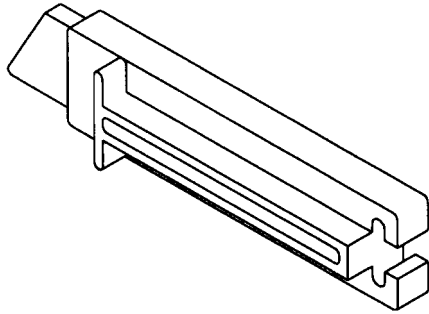
Vertical Push-Out Window, SpectAL Spare Parts Chart .....7.6

Horizontal Push-Out Window, SpectAL Spare Parts Chart .....7.7

Sash Retention Clips .....7.8

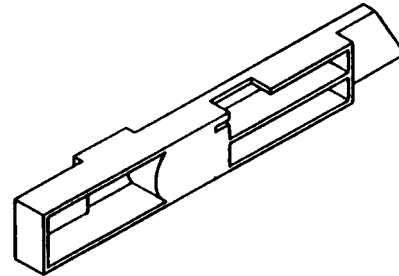
Decals .....7.9

## Side Sash & Pushout Sash Latches



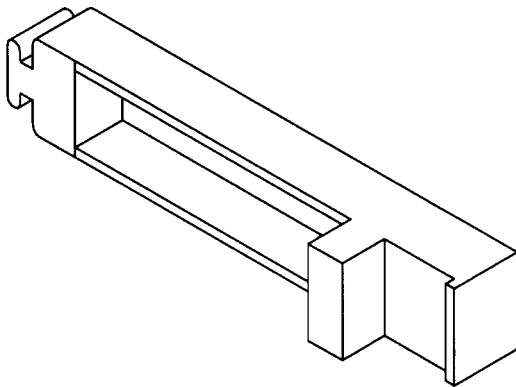
Left Side Shown

Part No.	Description
05012377	Bolt - Latch, Aluminum Sash, #4359-1 (Left)
05011377	Bolt - Latch, Aluminum Sash, #4359-2 (Right)

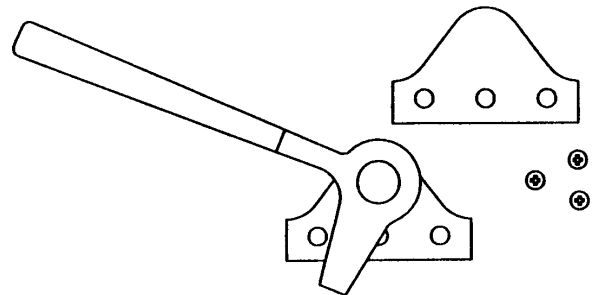


Left Side Shown

Part No.	Description
85450082	Lock - Latch, Rail, Left Side PPL01002-001
85450081	Lock - Latch, Rail, Right Side PPL01002-002



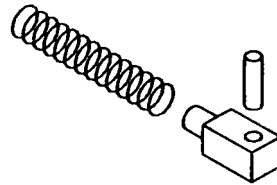
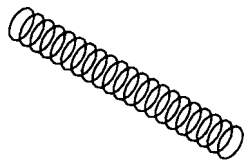
Part No.	Description
45000080	Handle - Latch, #4658-3



Left Side Shown

Part No.	Description
05035374	Handle - Pushout Sash, Left, 4347-5
05036374	Handle - Pushout Sash, Right, 4347-6
05034374	Spacer - Latch, Pushout Sash
69003029	Screw - Tapping, #8 - 5/8", Phillips

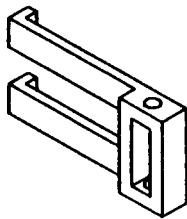
Side Sash & Pushout Sash Latches



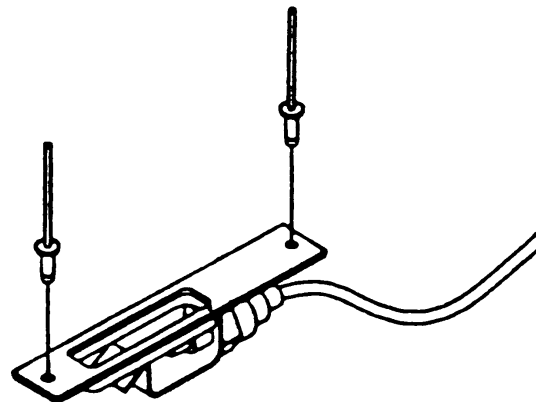
Part No.	Description
05039369	Spring - Latch, Aluminum Pushout & Sash Lock
85450083	Spring - Sash Side, Standard, Lock Rail PSP01001-001

Part No.	Description
85450080	Kit - Spring, Block & Retaining Pin
85450085	Block (only) - Spring Retention & Locking Pin PPL01003-001

Part No.	Description
85450077	Pin - Solid Aluminum, Removable Side Sash Latch
85450039	Pin - Clip Retainer, Removable Latch
85450086	Pin - Retention, Clip Lock 6697, Pushout Sash



Part No.	Description
85450087	Pin - Retention, Clip Lock 6697, Pushout Sash
85450040	Clip - Retainer, Removable Latch

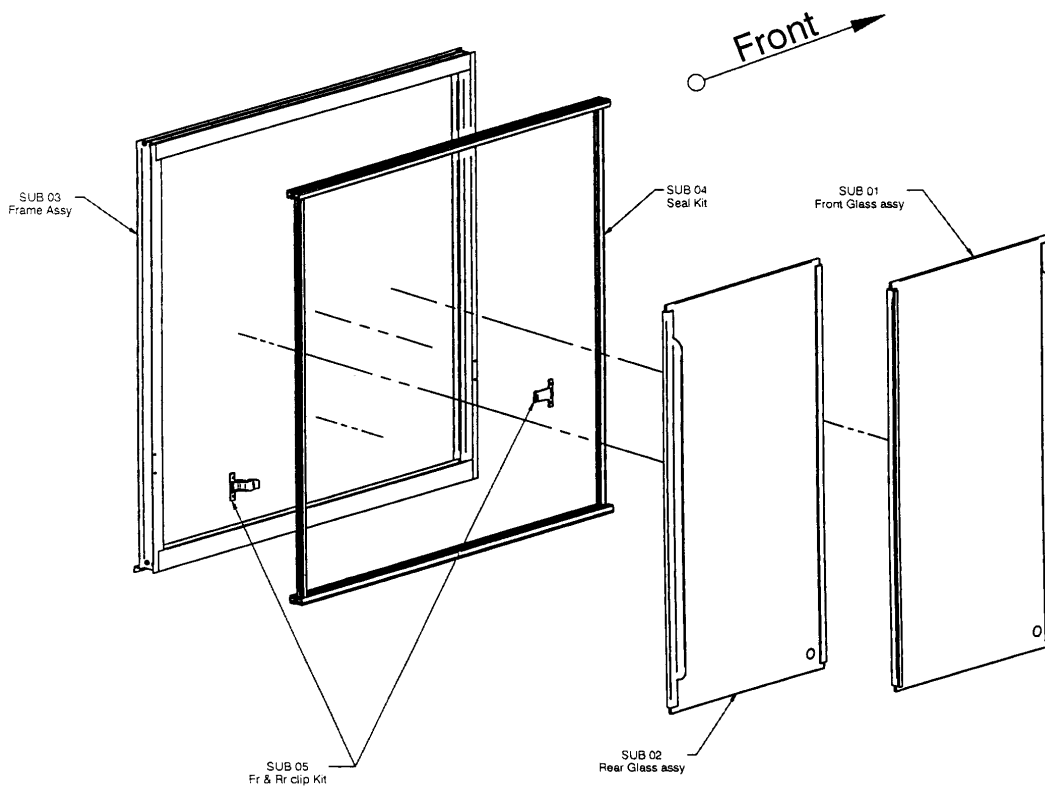


Part No.	Description
85450071	Kit - Switch, Repair, Aluminum, Pushout Sash
45002856	Switch



Part No.	Description
45002857	Handle - Pushout
45003571	Handle - Pushout, Horizontal & Vertical (Red)
69005052	Rivet - 3/16" x 3/8"

## Driver's Window, SpectAL Sash





**Driver Window, SpectAL Spare Parts Chart**

Part No.	Glass Type	SUB 01	SUB 02	SUB 03	SUB 04	SUB 05
		Front Glass Asm.	Rear Glass Asm.	Frame Asm.	Seal Kit	Front 7 Rear Clip Kit
45005543	Temper	THSP-11019	THSP-12019	THSP-13004	THSP-14003	THSP-15001
45005544	Temper	THSP-11020	THSP-12020	THSP-13004	THSP-14003	THSP-15001
45005545	Thermos Temper	THSP-11023	THSP-12023	THSP-13004	THSP-14004	THSP-15001
45005546	Temper	THSP-11013	THSP-12013	THSP-13003	THSP-14001	THSP-15001
45005547	Temper	THSP-11014	THSP-12014	THSP-13003	THSP-14001	THSP-15001
45005548	Thermos Temper	THSP-11017	THSP-12017	THSP-13003	THSP-14002	THSP-15001
45005549	Laminated	THSP-11021	THSP-12021	THSP-13004	THSP-14003	THSP-15001
45005550	Laminated	THSP-11022	THSP-12022	THSP-13004	THSP-14003	THSP-15001
45005551	Thermos Laminated	THSP-11024	THSP-12024	THSP-13004	THSP-14004	THSP-15001
45005552	Laminated	THSP-11015	THSP-12015	THSP-13003	THSP-14001	THSP-15001
45005553	Laminated	THSP-11016	THSP-12016	THSP-13003	THSP-14001	THSP-15001
45005554	Thermos Laminated	THSP-11018	THSP-12018	THSP-13003	THSP-14002	THSP-15001
45005602	Temper	THSP-11007	THSP-12007	THSP-13002	THSP-14003	THSP-15001
45005603	Temper	THSP-11008	THSP-12008	THSP-13002	THSP-14003	THSP-15001
45005604	Thermos Temper	THSP-11011	THSP-12011	THSP-13002	THSP-14004	THSP-15001
45005605	Temper	THSP-11001	THSP-12001	THSP-13001	THSP-14001	THSP-15001
45005606	Temper	THSP-11002	THSP-12002	THSP-13001	THSP-14001	THSP-15001
45005607	Thermos Temper	THSP-11005	THSP-12005	THSP-13001	THSP-14002	THSP-15001
45005608	Laminated	THSP-11009	THSP-12009	THSP-13002	THSP-14003	THSP-15001
45005609	Laminated	THSP-11010	THSP-12010	THSP-13002	THSP-14003	THSP-15001
45005634	Thermos Laminated	THSP-11012	THSP-12012	THSP-13002	THSP-14004	THSP-15001
45005635	Laminated	THSP-11003	THSP-12003	THSP-13001	THSP-14001	THSP-15001
45005636	Laminated	THSP-11004	THSP-12004	THSP-13001	THSP-14001	THSP-15001
45005637	Thermos Laminated	THSP-11006	THSP-12006	THSP-13001	THSP-14002	THSP-15001
45005642	Temper	THSP-11019	THSP-12019	THSP-13004	THSP-14003	THSP-15001
45005643	Temper	THSP-11020	THSP-12020	THSP-13004	THSP-14003	THSP-15001
45005644	Laminated	THSP-11021	THSP-12021	THSP-13004	THSP-14003	THSP-15001
45005645	Laminated	THSP-11022	THSP-12022	THSP-13004	THSP-14003	THSP-15001
45005710	Temper	THSP-11007	THSP-121007	THSP-13002	THSP-14003	THSP-15001
45005711	Temper	THSP-11008	THSP-12008	THSP-13002	THSP-14003	THSP-15001
45005712	Laminated	THSP-11009	THSP-12009	THSP-13002	THSP-14003	THSP-15001
45005713	Laminated	THSP-11010	THSP-12010	THSP-13002	THSP-14003	THSP-15001
45005714	Thermos Temper	THSP-11023	THSP-12023	THSP-13004	THSP-14004	THSP-15001
45005715	Thermos Temper	THSP-11011	THSP-12011	THSP-13002	THSP-14004	THSP-15001
45005716	Thermos Laminated	THSP-11024	THSP-12024	THSP-13004	THSP-14004	THSP-15001
45005717	Thermos Laminated	THSP-11012	THSP-12012	THSP-13002	THSP-14004	THSP-15001
45005718	Temper	THSP-11013	THSP-12013	THSP-13003	THSP-14001	THSP-15001
45005719	Temper	THSP-11014	THSP-12014	THSP-13003	THSP-14001	THSP-15001
45005720	Laminated	THSP-11015	THSP-12015	THSP-13003	THSP-14001	THSP-15001
45005721	Laminated	THSP-11016	THSP-12016	THSP-13003	THSP-14001	THSP-15001
45005722	Temper	THSP-11001	THSP-12001	THSP-13001	THSP-14001	THSP-15001
45005723	Temper	THSP-11002	THSP-12002	THSP-13001	THSP-14001	THSP-15001
45005724	Laminated	THSP-11003	THSP-12003	THSP-13001	THSP-14001	THSP-15001
45005725	Laminated	THSP-11004	THSP-12004	THSP-13001	THSP-14001	THSP-15001
45005726	Thermos Temper	THSP-11017	THSP-12017	THSP-13003	THSP-14002	THSP-15001
45005727	Thermos Temper	THSP-11005	THSP-12005	THSP-13001	THSP-14002	THSP-15001
45005728	Thermos Laminated	THSP-11018	THSP-12018	THSP-13003	THSP-14002	THSP-15001
45005729	Thermos Laminated	THSP-11006	THSP-12006	THSP-13001	THSP-14002	THSP-15001

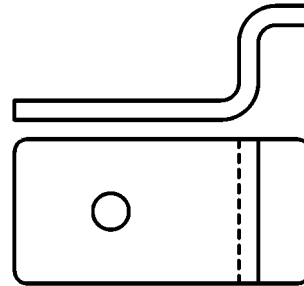
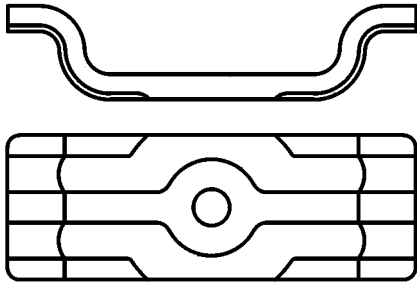
## Vertical Push-Out Window, SpectAL Spare Parts Chart

Part No.	LH / RH	SUB 01 Kit Switch	SUB 03 Frame Kit	SUB 04 Slider Lock Kit	SUB 05 Bottom Glass Kit	SUB 06 Slider Kit	SUB 07 Interior Window
45006225	L	THSP-21002	THSP-23011	THSP-24001	THSP-25001	THSP-26002	THSP-27011
45006226	L	THSP-21002	THSP-23009	THSP-24001	THSP-25001	THSP-26001	THSP-27009
45006227	R	THSP-21002	THSP-23012	THSP-24001	THSP-25001	THSP-26002	THSP-27012
45006228	R	THSP-21002	THSP-23010	THSP-24001	THSP-25001	THSP-26001	THSP-27010
45006229	L	THSP-21002	THSP-23011	THSP-24001	THSP-25003	THSP-26004	THSP-27011
45006230	L	THSP-21002	THSP-23009	THSP-24001	THSP-25003	THSP-26003	THSP-27009
45006231	R	THSP-21002	THSP-23012	THSP-24001	THSP-25003	THSP-26004	THSP-27012
45006232	R	THSP-21002	THSP-23010	THSP-24001	THSP-25003	THSP-26003	THSP-27010
45006233	L	THSP-21002	THSP-23011	THSP-24001	THSP-25002	THSP-26006	THSP-27011
45006234	L	THSP-21002	THSP-23009	THSP-24001	THSP-25002	THSP-26005	THSP-27009
45006235	R	THSP-21002	THSP-23012	THSP-24001	THSP-25002	THSP-26006	THSP-27012
45006236	R	THSP-21002	THSP-23010	THSP-24001	THSP-25002	THSP-26005	THSP-27010
45006237	L	THSP-21002	THSP-23011	THSP-24001	THSP-25004	THSP-26008	THSP-27011
45006238	L	THSP-21002	THSP-23009	THSP-24001	THSP-25004	THSP-26007	THSP-27009
45006239	R	THSP-21002	THSP-23012	THSP-24001	THSP-25004	THSP-26008	THSP-27012
45006240	R	THSP-21002	THSP-23010	THSP-24001	THSP-25004	THSP-26007	THSP-27010
45006241	L	THSP-21002	THSP-23015	THSP-24001	THSP-25005	THSP-26010	THSP-27015
45006242	L	THSP-21002	THSP-23013	THSP-24001	THSP-25005	THSP-26009	THSP-27013
45006243	R	THSP-21002	THSP-23016	THSP-24001	THSP-25005	THSP-26010	THSP-27016
45006244	R	THSP-21002	THSP-23014	THSP-24001	THSP-25005	THSP-26009	THSP-27014
45006245	L	THSP-21002	THSP-23015	THSP-24001	THSP-25007	THSP-26012	THSP-27015
45006246	L	THSP-21002	THSP-23013	THSP-24001	THSP-25007	THSP-26011	THSP-27013
45006247	R	THSP-21002	THSP-23016	THSP-24001	THSP-25007	THSP-26012	THSP-27016
45006248	R	THSP-21002	THSP-23014	THSP-24001	THSP-25007	THSP-26011	THSP-27014
45006249	L	THSP-21002	THSP-23015	THSP-24001	THSP-25006	THSP-26014	THSP-27015
45006250	L	THSP-21002	THSP-23013	THSP-24001	THSP-25006	THSP-26013	THSP-27013
45006251	R	THSP-21002	THSP-23016	THSP-24001	THSP-25006	THSP-26014	THSP-27016
45006252	R	THSP-21002	THSP-23014	THSP-24001	THSP-25006	THSP-26013	THSP-27014
45006253	L	THSP-21002	THSP-23015	THSP-24001	THSP-25008	THSP-26016	THSP-27015
45006254	L	THSP-21002	THSP-23013	THSP-24001	THSP-25008	THSP-26015	THSP-27013
45006255	R	THSP-21002	THSP-23016	THSP-24001	THSP-25008	THSP-26016	THSP-27016
45006256	R	THSP-21002	THSP-23014	THSP-24001	THSP-25008	THSP-26015	THSP-27014

**Horizontal Push-Out Window, SpectAL Spare Parts Chart**

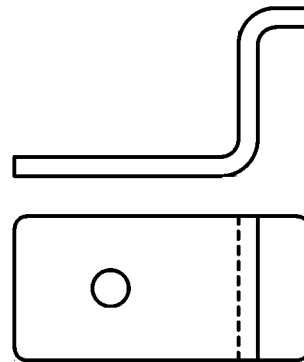
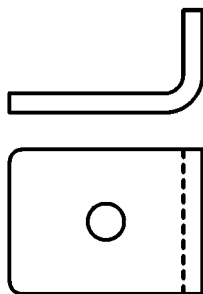
<b>Part No.</b>	<b>LH / RH</b>	<b>SUB 01 Kit Switch</b>	<b>SUB 02 Window Base Kit</b>	<b>SUB 03 Frame Kit</b>	<b>SUB 04 Slider Lock Kit</b>	<b>SUB 05 Bottom Glass Kit</b>	<b>SUB 06 Slider Kit</b>	<b>SUB 07 Interior Window</b>
45006193	L	THSP-21001	THSP-22003	THSP-23003	THSP-24001	THSP-25001	THSP-26002	THSP-27003
45006194	L	THSP-21001	THSP-22001	THSP-23001	THSP-24001	THSP-25001	THSP-26001	THSP-27001
45006195	R	THSP-21001	THSP-22004	THSP-23004	THSP-24001	THSP-25001	THSP-26002	THSP-27004
45006196	R	THSP-21001	THSP-22002	THSP-23002	THSP-24001	THSP-25001	THSP-26001	THSP-27002
45006197	L	THSP-21001	THSP-22003	THSP-23003	THSP-24001	THSP-25003	THSP-26004	THSP-27003
45006198	L	THSP-21001	THSP-22001	THSP-23001	THSP-24001	THSP-25003	THSP-26003	THSP-27001
45006199	R	THSP-21001	THSP-22004	THSP-23004	THSP-24001	THSP-25003	THSP-26004	THSP-27004
45006200	R	THSP-21001	THSP-22002	THSP-23002	THSP-24001	THSP-25003	THSP-26003	THSP-27002
45006201	L	THSP-21001	THSP-22003	THSP-23003	THSP-24001	THSP-25002	THSP-26006	THSP-27003
45006202	L	THSP-21001	THSP-22001	THSP-23001	THSP-24001	THSP-25002	THSP-26005	THSP-27001
45006203	R	THSP-21001	THSP-22004	THSP-23004	THSP-24001	THSP-25002	THSP-26006	THSP-27004
45006204	R	THSP-21001	THSP-22002	THSP-23002	THSP-24001	THSP-25002	THSP-26005	THSP-27002
45006205	L	THSP-21001	THSP-22003	THSP-23003	THSP-24001	THSP-25004	THSP-26008	THSP-27003
45006206	L	THSP-21001	THSP-22001	THSP-23001	THSP-24001	THSP-25004	THSP-26007	THSP-27001
45006207	R	THSP-21001	THSP-22004	THSP-23004	THSP-24001	THSP-25004	THSP-26008	THSP-27004
45006208	R	THSP-21001	THSP-22002	THSP-23002	THSP-24001	THSP-25004	THSP-26007	THSP-27002
45006209	L	THSP-21001	THSP-22007	THSP-23007	THSP-24001	THSP-25005	THSP-26010	THSP-27007
45006210	L	THSP-21001	THSP-22001	THSP-23005	THSP-24001	THSP-25005	THSP-26009	THSP-27005
45006211	R	THSP-21001	THSP-22004	THSP-23008	THSP-24001	THSP-25005	THSP-26010	THSP-27008
45006212	R	THSP-21001	THSP-22002	THSP-23006	THSP-24001	THSP-25005	THSP-26009	THSP-27006
45006213	L	THSP-21001	THSP-22003	THSP-23007	THSP-24001	THSP-25007	THSP-26012	THSP-27007
45006214	L	THSP-21001	THSP-22001	THSP-23005	THSP-24001	THSP-25007	THSP-26011	THSP-27005
45006215	R	THSP-21001	THSP-22004	THSP-23008	THSP-24001	THSP-25007	THSP-26012	THSP-27008
45006216	R	THSP-21001	THSP-22002	THSP-23006	THSP-24001	THSP-25007	THSP-26011	THSP-27006
45006217	L	THSP-21001	THSP-22003	THSP-23007	THSP-24001	THSP-25006	THSP-26014	THSP-27007
45006218	L	THSP-21001	THSP-22001	THSP-23005	THSP-24001	THSP-25006	THSP-26013	THSP-27005
45006219	R	THSP-21001	THSP-22004	THSP-23008	THSP-24001	THSP-25006	THSP-26014	THSP-27008
45006220	R	THSP-21001	THSP-22002	THSP-23006	THSP-24001	THSP-25006	THSP-26013	THSP-27006
45006221	L	THSP-21001	THSP-22003	THSP-23007	THSP-24001	THSP-25008	THSP-26016	THSP-27007
45006222	L	THSP-21001	THSP-22001	THSP-23005	THSP-24001	THSP-25008	THSP-26015	THSP-27005
45006223	R	THSP-21001	THSP-22004	THSP-23008	THSP-24001	THSP-25008	THSP-26016	THSP-27008
45006224	R	THSP-21001	THSP-22002	THSP-23006	THSP-24001	THSP-25008	THSP-26015	THSP-27006

## Sash Retention Clips



Part No.	Description	Finish
45003315	Clip - Sash Retention, Double	Mill
45003316	Clip - Sash Retention, Double	Black

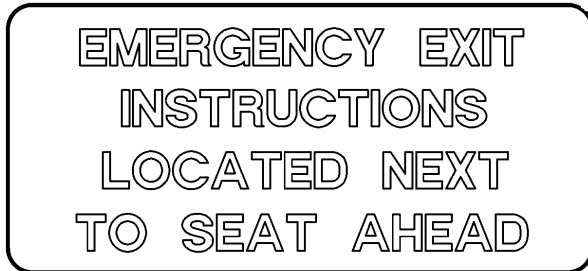
Part No.	Description	Finish
45001548	Clip - Sash Retention, Single, .563 Offset (Last Window Opening Top & Bottom)	Mill
45001564	Clip - Sash Retention, Single, .563 Offset (Last Window Opening Top & Bottom)	Black



Part No.	Description	Finish
45001707	Clip - Sash Retention, Single, 90° (First Window Opening RH & LH Bottom)	Mill
45001709	Clip - Sash Retention, Single, 90° (First Window Opening RH & LH Bottom)	Black

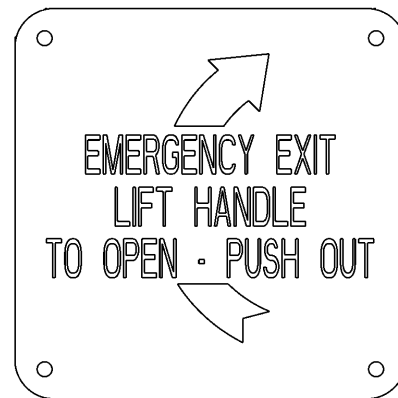
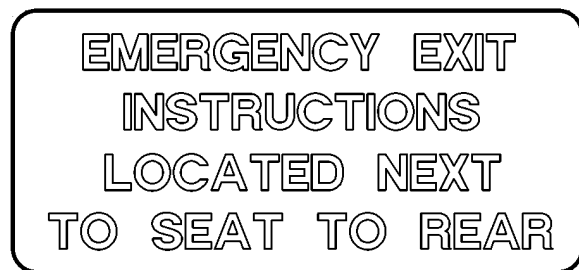
Part No.	Description	Finish
45001710	Clip - Sash Retention, Single, .875 Offset (First Window Opening RH & LH Top)	Mill
45001711	Clip - Sash Retention, Single, .875 Offset (First Window Opening RH & LH Top)	Black

**Decals**



Part No.	Description
65007610	Decal - Referral, Emergency Exit Instructions, Push Out Window (Black Lettering)
65007611	Decal - Referral, Emergency Exit Instructions, Push Out Window (Red Lettering)

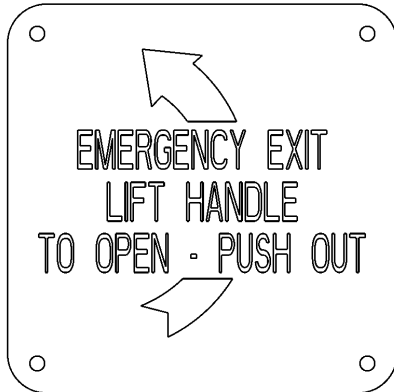
Part No.	Description
65007580	Decal - Emergency Exit Instructions, Push Out Window (Red Lettering)
65007583	Decal - Emergency Exit Instructions, Push Out Window (Black Lettering)



Part No.	Description
65007576	Decal - Referral, Emergency Exit Instructions, Push Out Window (Red Lettering)
65007578	Decal - Referral, Emergency Exit Instructions, Push Out Window (Black Lettering)

Part No.	Description
65007641	Decal - Emergency Exit Instructions W/Arrow, Vinyl Black (Right)
65007820	Decal - Emergency Exit Instructions W/Arrow, Vinyl Red (Right)

## Decals



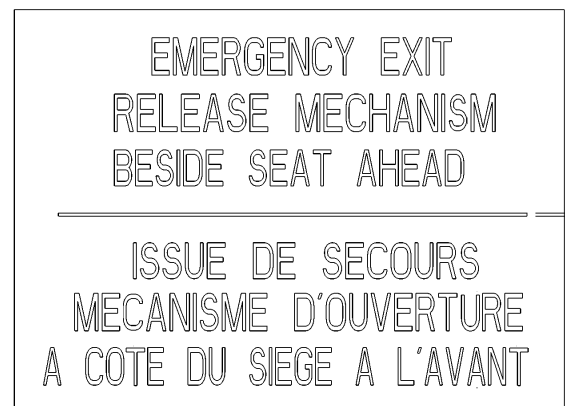
Part No.	Description
65007642	Decal - Emergency Exit Instructions W/Arrow, Vinyl Black (Left)
65007821	Decal - Emergency Exit Instructions W/Arrow, Vinyl Red (Left)



Part No.	Description
65009320	Decal - Exit Instructions, Emergency Door, Black (Spanish) (Right)

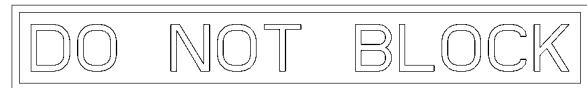
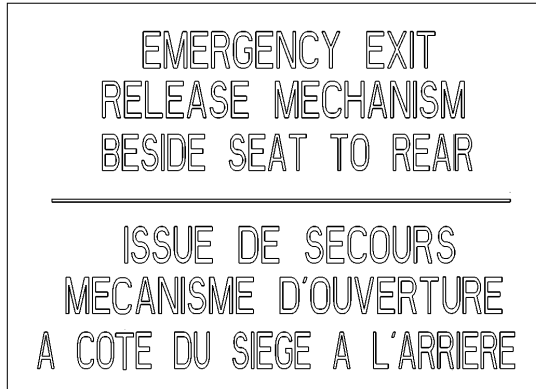


Part No.	Description
65009321	Decal - Exit Instructions, Emergency Door, Black (Spanish) (Left)



Part No.	Description
65008693	Label - Emergency Exit Release Mechanism Beside Seat Ahead, Clear W/Black Letters (French/English)

Decals



Part No.	Description
65008694	Label - Emergency Exit Release Mechanism Beside Seat To Rear, Clear W/Black Letters (French/English)

Part No.	Description
65011162	Decal - "Do Not Block"





**Table of Contents**

Seat Back Covers .....8.2

Seat Back Foam .....8.4

Seat Cushion Covers .....8.5

Seat Cushion Foam .....8.7

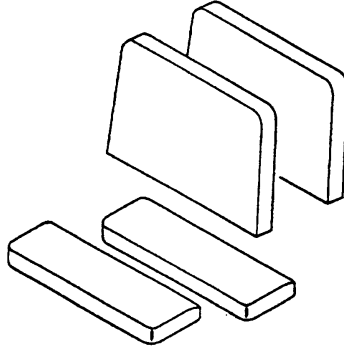
Barrier Covers .....8.9

Clips & Repair Tape .....8.11

Child Restraint Seat .....8.12

Driver’s Seat .....8.14

## Seat Back Covers



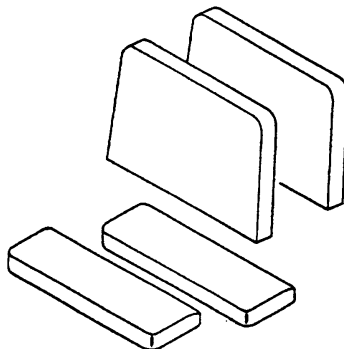
### 39" Seat Back Covers W/O Welt (1991 - Present, Thinline)

Color	Standard Part No.	Heavy Duty Part No.	Proform Part No.	Kevlar Part No.
Green	85460108	85460138	85462906	85460127
Blue	85460114	85460123	85462477	85460153
Gray	85461219	85461222	85462451	85461225
Brown	85460131	85460120	85462908	85460130

### 39" Seat Back Covers W/O Welt High Back (1991 - Present, Thinline)

Color	Standard Part No.	Heavy Duty Part No.	Proform Part No.	Kevlar Part No.
Green	85460183	85460192	85462936	85460201
Blue	85460189	85460198	85462942	85460207
Gray	85461228	85461231	85462210	85461234
Brown	85460186	85460195	85462939	85460204

## Seat Back Covers



### 39" Seat Back Covers W/O Welt (1982 - Present)

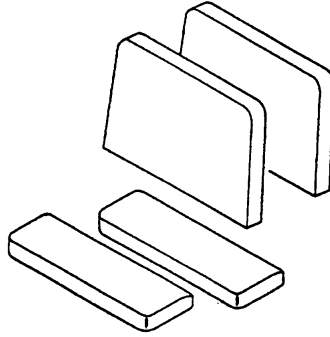
Color	Standard Part No.	Heavy Duty Part No.	Proform Part No.	Kevlar Part No.
Green	85460082	85460110	85462906	85460127
Blue	85460087	85460196	85462477	85460153
Gray	85461210	85461213	85462451	85461225
Brown	85460103	85460093	85462908	85460130
NC Brown	85460090			

46000481 Panel, Bottom (Used on Proform & Kevlar. Trim to fit.)

### 39" Universal Seat Back Covers (1982 - Present)

Color	Standard Part No.	Description
Gray	85462850	Cover - Seat Back, 42OZ. W/O Welt
Gray	85462851	Cover - Seat Back, 42OZ. W/White Welt
Spanish Green	85462852	Cover - Seat Back, 42OZ. W/O Welt
Spanish Green	85462853	Cover - Seat Back, 42OZ. W/White Welt

## Seat Back Foam



### Fully Scrimmed Seat Back Foam

Type	Part No.	Description
26"	85461718	Foam - Seat Back
30"	46012978	Foam - Seat Back
32"	85461719	Foam - Seat Back
34"	46012980	Foam - Seat Back
36"	85461730	Foam - Seat Back
39"	85461633	Foam - Seat Back
39" Hi Back	85461725	Foam - Seat Back
45"	85461728	Foam - Seat Back

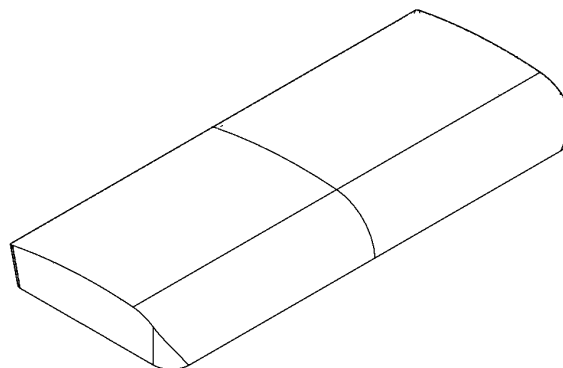
### Seat Back Foam

Type	Part No.	Description
39"	85461206	Foam - Seat Back, Bluebird (1979 - Up)
39"	85461409	Foam - Seat Back, Ward (1988)
39"	85461410	Foam - Seat Back, Superior (1980)
39"	85461636	Foam - Seat Back, Carpenter (1981 - Up)

### Seat Back Foam - T-485N & T-485S Seat

Type	Part No.	Description
T-485N	46013169	Polyfoam - Seat Back
T-485S	46014371	Foam - Seat Back

## Seat Cushion Covers



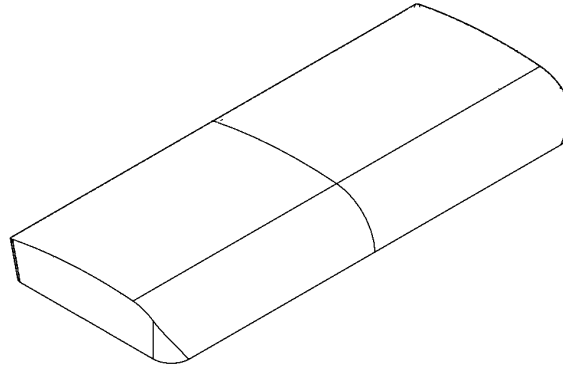
### Contoured Seat Cushion Covers W/O Welt (42 OZ.)

Color	20"	26"	30"	32"	36"	39"	45"
Gray	46021703	46021704	46021705	46021706	46021707	46021709	46021710
Green	46021711	46021712	46021713	46021714	46021715	46021717	46021718
Brown	46021719	46021720	46021721	46021722	46021723	46021725	46021726
Blue	46021727	46021728	46021729	46021730	46021731	46021733	46021734
Red	46021735	46021736	46021737	46021738	46021739	46021741	46021742
Black	46021743	46021744	46021745	46021746	46021747	46021749	46021750
NC Brown	46021751	46021752	46021753	46021754	46021755	46021757	46021758

### Contoured Seat Cushion Covers W/ White Welt (42 OZ.)

Color	20"	26"	30"	32"	36"	39"	45"
Gray	46021759	46021760	46021761	46021762	46021763	46021765	46021766
Green	46021767	46021768	46021769	46021770	46021771	46021773	46021774
Brown	46021775	46021776	46021777	46021778	46021779	46021781	46021782
Blue	46021783	46021784	46021785	46021786	46021787	46021789	46021790
Red	46021791	46021792	46021793	46021794	46021795	46021797	46021798
Black	46021799	46021800	46021801	46021802	46021803	46021805	46021806
NC Brown	46021807	46021808	46021809	46021810	46021811	46021813	46021814

## Seat Cushion Covers



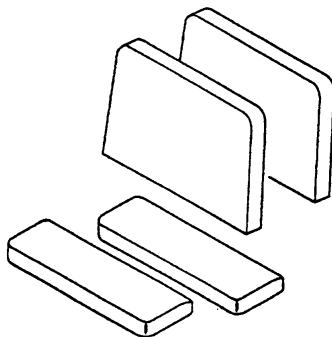
### Contoured Seat Cushion Covers W/ Matching Welt (42 OZ.)

Color	20"	26"	30"	32"	36"	39"	45"
Gray	46021815	46021816	46021817	46021818	46021819	46021821	46021822
Green	46021823	46021824	46021825	46021826	46021827	46021829	46021830
Brown	46021831	46021832	46021833	46021834	46021835	46021837	46021838
Blue	46021839	46021840	46021841	46021842	46021843	46021845	46021846
Red	46021847	46021848	46021849	46021850	46021851	46021853	46021854
Black	46021855	46021856	46021857	46021858	46021859	46021861	46021862
NC Brown	46021863	46021864	46021865	46021866	46021867	46021869	46021870

### Molded Contoured Seat Cushions

Type	20"	26"	30"	32"	36"	39"	45"
Molded	46021665	46021666	46021667	46021668	46021671	46021672	46021673
Virgin	46022916	46022917	46022918	46022919	46022920	46022921	46022922
Plywood Seat Bottom	46021489	46021490	46021491	46021492	46021494	46021495	46021496

**Seat Cushion Foam**



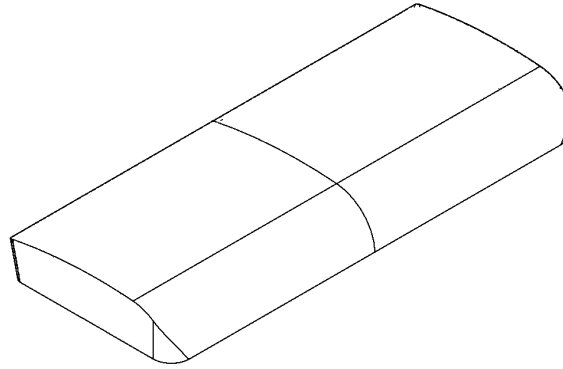
**Seat Cushion Foam with Board**

Type	Part No.	Description
26"	46010059	Foam - Seat Cushion
30"	46010060	Foam - Seat Cushion
32"	46010061	Foam - Seat Cushion
34"	46010063	Foam - Seat Cushion
36"	46010064	Foam - Seat Cushion
39"	46010065	Foam - Seat Cushion
45"	46010066	Foam - Seat Cushion

**Seat Cushion Foam - T-485N & T-485S Seat**

Type	Part No.	Description
T-485N	46013170	Polyfoam - Seat Cushion W/Board, Split Seat (18")
T-485S	46013172	Polyfoam - Seat Cushion W/Board, Solid Seat (36")

## Seat Cushion Foam



### Molded Contoured Seat Cushions

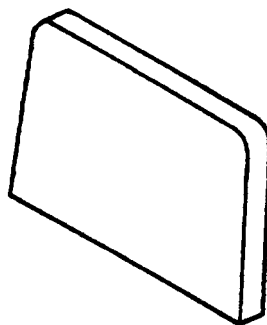
Type	20"	26"	30"	32"	36"	39"	45"
Molded	46021665	46021666	46021667	46021668	46021671	46021672	46021673
Virgin	46022916	46022917	46022918	46022919	46022920	46022921	46022922
Plywood Seat Bottom	46021489	46021490	46021491	46021492	46021494	46021495	46021496

### SYNTEC Seat Foam

Type	26"	30"	32"	36"	39"	45"
Hi	46025315	46025316	46025317	46025318	46025319	46025320
Lo	46025307	46025308	46025309	46030893	46030894	46025312
Thinback Last Row	46035754	46035755		46035756	46035757	
Cushion	46034299	46034300	46034301	46034302	46034303	46034304



## Barrier Covers

39" Barrier Covers Right Side W/O Welt  
(41" High)

Color	Standard Part No.	Heavy Duty Part No.	Proform Part No.	Kevlar Part No.
Green	85460739	85460857	85462993	85460756
Blue	85460744	85460753	85462999	85460872
Gray	85461300	85461303	85463002	85461306
Brown	85460850	85460750	85462996	85460759
NC Brown	85460747			

39" Barrier Covers Left Side W/O Welt  
(41" High)

Color	Standard Part No.	Heavy Duty Part No.	Proform Part No.	Kevlar Part No.
Green	85460764	85460774	85463004	85460783
Blue	85460770	85460780	85463010	85460789
Gray	85461309	85461312	85463013	85461315
Brown	85460767	85460777	85463007	85460786
NC Brown	85460773			

39" Barrier Covers Right Side W/O Welt  
(45" High)

Color	Standard Part No.	Heavy Duty Part No.	Proform Part No.	Kevlar Part No.
Green	85460907	85460916	85463062	85460925
Blue	85460913	85460922	85463068	85460931
Gray	85461579	85461357	85463071	85460933
Brown	85460910	85460919	85463065	85460928

39" Barrier Covers Left Side W/O Welt  
(45" High)

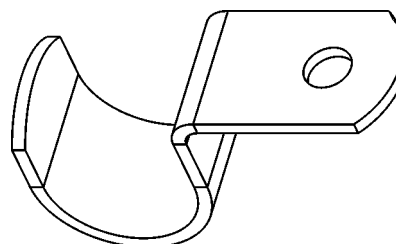
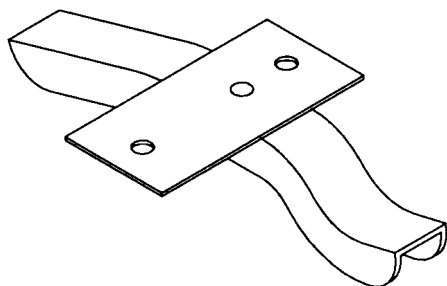
Color	Standard Part No.	Heavy Duty Part No.	Proform Part No.	Kevlar Part No.
Green	85460934	85461051	85463074	85460950
Blue	85460939	85460947	85463080	85461066
Gray	85461588	85461366	85463083	85461369
Brown	85461045	85460944	85463077	85460953

## Barrier Covers

## 39" Barrier Covers W/ Storage Pouch, Left Side Without Welt (41" High)

Color & Weight	Part No.	Usage	Consists of
Spanish Green 42oz.	85462580		85460746 & 85462570
Rhyno Green 52oz.	85462581		85460774 & 85462397
FB Duraseat Green	85462582		85460783 & 85462571
Proform Green	85462583		85462418 & 85462572
Spanish Brown 42oz.	85462584		85460767 & 85462573
Brown 52.oz	85462585		85460777 & 85462574
FB Duraseat Brown	85462586		85460786 & 85462575
Proform Brown 42oz.	85462587		85460764 & 85462570
Colonial Blue 42oz.	85462588		85460770 & 85462398
Blue 52oz.	85462589		85460780 & 85462577
FB Duraseat Blue	85462590		85460789 & 85462399
Proform Blue	85462591		46002421 & 85462190 & 85462535
Spanish Gray 42oz.	85462592		85461309 & 85462393
Rhyno Gray 52oz.	85462593		85461312 & 85462394
FB Duraseat Gray	85462594		85461315 & 85462396
Proform Gray	85462595		46002430 & 85462395
Spanish Green 42oz.	85462596	L.S. N.Y.	85460934 & 85462570
Rhyno Green 52oz.	85462597	L.S. N.Y.	85461051 & 85462397
FB Duraseat Green	85462598	L.S. N.Y.	85460950 & 85462571
Proform Green	85462599	L.S. N.Y.	46002596 & 85462572
Spanish Brown 42oz	85462600	L.S. N.Y.	85461045 & 85462573
Brown 52oz.	85462601		85460944 & 85462574
FB Duraseat Brown	85462602		85460953 & 85462575
Proform Brown 42oz.	85462603		46002604 & 85462576
Colonial Blue 42oz.	85462604	L.S. N.Y.	85460939 & 85462398
Blue 52oz.	85462605	L.S. N.Y.	85460947 & 85462577
FB Duraseat Blue	85462606	L.S.	85460956 & 85461066 & 85462398
Proform Blue	85462607	L.S. N.Y.	46002599 & 85462535
Spanish Gray 42oz.	85462608	L.S. N.Y.	85461363 & 85462393
Rhyno Gray 52oz.	85462609	L.S. N.Y.	85461366 & 85462394
FB Duraseat Gray	85462610	L.S. NT	85461369 & 85462396
Proform Gray	85462611	L.S. N.Y.	46002608 & 85462395
Brown	85462612	L.S. N.C.	85460773 & 85462578
Brown/Bid Oversized	85462613	L.S. N.C.	85461675 & 85462578 (1977 - On)
Brown/Bid Oversized	85462614	L.S. High N.C.	85461676 & 85462578 (1977 - On)
Colonial Blue Oversized 42oz.	85462615	L.S.	85461829 & 85462398 (1977 - On)

Clips and Repair Tape



Part No.	Description
46009815	Clip - Assembly, Rear of Cushion
46028922	Clip Assembly, Seat Cushion Positive Locking Turn Type
46030922	Clip - Assembly, SYNTEC Seat Cushion

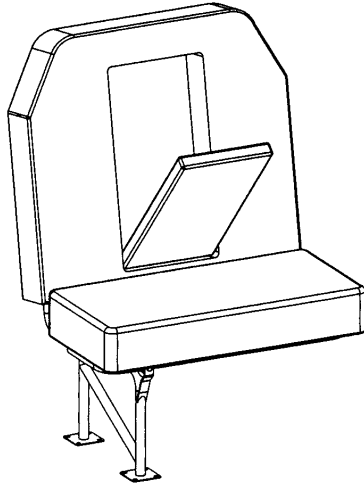
Part No.	Description
46023084	Clip-Front, Seat Cushion, 14ga.
46018145	Clip - Seat Cushion, Front

Tape- Seat Repair

Part No.	Color	Description
90000002	Brown 69	Tape - Repair
90000001	Green 68	Tape - Repair
85461639	Gray	Tape - Repair
85461643	Gray	Tape - Repair, Flame Retardant
85680035	Black	Tape - Repair
46015248	Blue	Tape - Repair #PC-628

## Child Restraint Seat

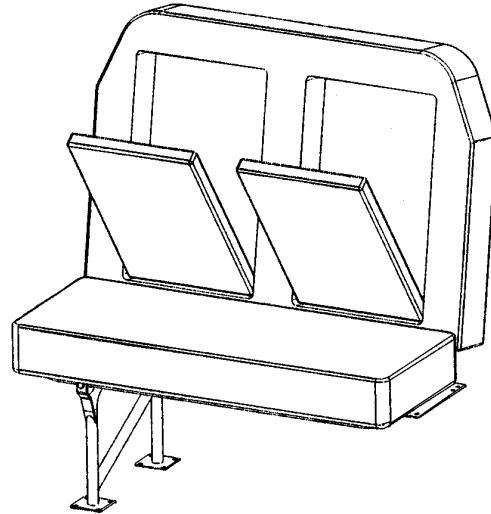
Left Side Assembly Shown



**30" Seat - Child Restraint Assembly -  
2 Leg, Wall Mounted**

Left Part No.	Upholstered Seat Description	Right Part No.
46023326	Spanish Green 42oz.	46023326
46023327	Duraseat Kevlar Green	46023327
46023328	Proform EDO Green	46023328
46023329	Colonial Blue 42.oz	46023329
46023330	Duraseat Kevlar Blue	46023330
46023331	Proform EDO Blue	46023331
46023332	Spanish Brown 42oz.	46023332
46023333	Duraseat Kevlar Brown	46023333
46023334	Proform EDO Brown	46023334
46023335	Spanish Gray 42oz.	46023335
46023336	Duraseat Kevlar Gray	46023336
46023337	Proform EDO Gray	46023337

Left Side Assembly Shown

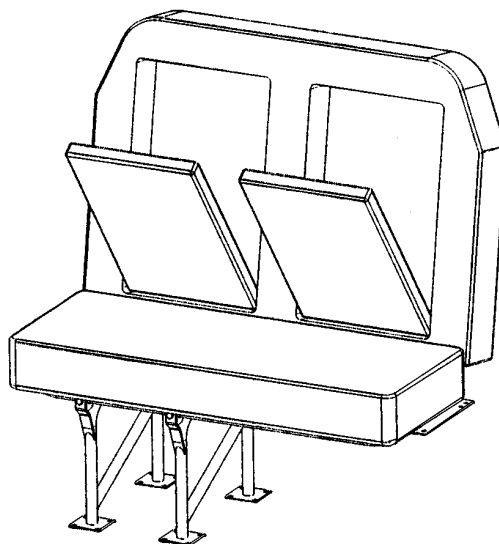


**39" Seat - Child Restraint Assembly -  
2 Leg, Wall Mounted**

Left Part No.	Upholstered Seat Description	Right Part No.
46023275	Spanish Green 42oz.	46023263
46023276	Duraseat Kevlar Green	46023264
46023277	Proform EDO Green	46023265
46023278	Colonial Blue 42.oz	46023266
46023279	Duraseat Kevlar Blue	46023267
46023280	Proform EDO Blue	46023268
46023281	Spanish Brown 42oz.	46023269
46023282	Duraseat Kevlar Brown	46023270
46023283	Proform EDO Brown	46023271
46023284	Spanish Gray 42oz.	46023272
46023285	Duraseat Kevlar Gray	46023273
46023286	Proform EDO Gray	46023274

## Child Restraint Seat

Left Side Assembly Shown

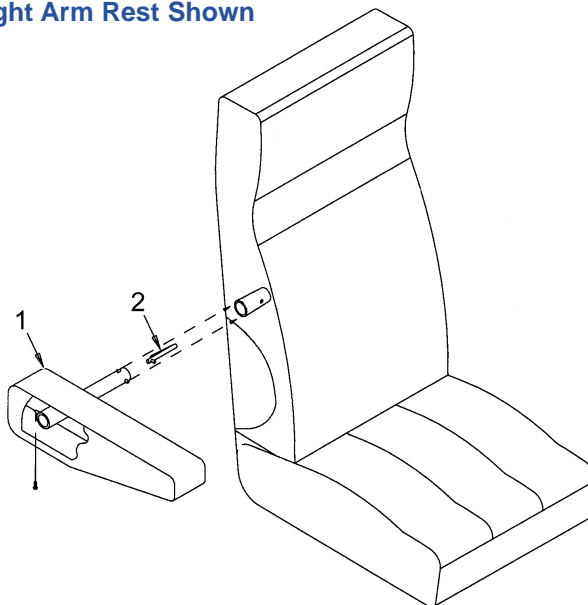


39" Seat - Child Restraint Assembly - 4 Leg, Wall Mounted

Left Part No.	Upholstered Seat Description	Right Part No.
46023299	Spanish Green 42oz.	46023287
46023300	Duraseat Kevlar Green	46023288
46023301	Proform EDO Green	46023289
46023302	Colonial Blue 42.oz	46023290
46023303	Duraseat Kevlar Blue	46023291
46023304	Proform EDO Blue	46023292
46023305	Spanish Brown 42oz.	46023293
46023306	Duraseat Kevlar Brown	46023294
46023307	Proform EDO Brown	46023295
46023308	Spanish Gray 42oz.	46023296
46023309	Duraseat Kevlar Gray	46023297
46023310	Proform EDO Gray	46023298

## Driver's Seat

### Right Arm Rest Shown



### Arm Rest, Driver's Seat

Ref No.	Left Part No.	Leatherette Upholstered Arm Rest	Right Part No.
1	46017668	Spanish Green	46017669
1	46017670	Duraseat Green	46017671
1	46017672	Proform Spanish Green	46017673
1	46017674	Duraseat Blue	46017675
1	46017676	Proform Spanish Blue	46017677
1	46017678	Spanish Brown	46017679
1	46017680	Duraseat Brown	46017681
1	46017682	Proform Spanish Brown	46017683
1	46017684	Spanish Gray	46017685
1	46017686	Duraseat Gray	46017687
1	46017688	Proform Spanish Gray	46017689
1	46017690	Wolf Black	46017691
1	46019255	Proform Black	46019256
1	46019257	Duraseat Black	46019258
2	85462726	Clip - Spring, Arm Rest	85462726

## Driver's Seat

### REPLACEMENT PARTS FOR DRIVER SEAT 3/20/95 TO PRESENT

To order replacement parts for units that were manufactured with National Truck Seating driver seats (Units built after 3/20/95),

Check the National Truck Seating identification tag located on the side of the seat base. Contact your local TBB dealer with the 8 digit serial number listed on the tag.

### COMPLETE REPLACEMENT SEATS

To order complete seat assemblies, contact your local TBB dealer with the following information.

1. Complete body identification number of unit.
2. Size of seat (i.e. 39" / 45" / 26")
3. Passenger or driver side of unit
4. Seat type (2 Leg wall mounted, 4 Leg floor mounted, Track mounted)
5. Standard height or 45" N.Y. hi-back
6. Color
7. Material type (42 Oz. / 52 Oz. / Profonn / Duraseat Kevlar)

# SEATS

---

---



## TABLE OF CONTENTS

Driver's Seat Belt .....	9.2
Passenger's Seat Belt .....	9.4
Wheelchair Restraints .....	9.9
Button Track .....	9.11
Kinedyne "A" Series Restraints .....	9.12
A/L Series Restraints .....	9.14
Flanged Track Installation, Type L .....	9.16
Pocket Installation & Hardware, Q'Straint .....	9.17
Wheelchair Restraint Belts .....	9.19

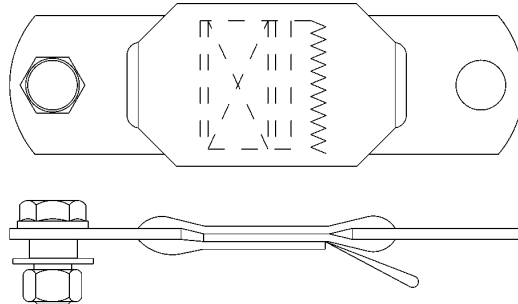
# SEAT BELTS

## Driver's Seat Belt

Part No.	*Vendor	Description
65004553	PBLCH301-3	Belt - Driver's Seat, 3 Point W/ 6" Extension Lap/Shoulder (Florida)
65001870	PBLRSB2122T	Belt - Driver's Seat, Black, Push Button Release, Single Emergency Locking Retractor 60" Tab, 8" Buckle W/ Sleeve
65001871	PBLR200	Belt - Driver's Seat, Black, Push Button Release, Double Emergency Locking Retractors, 36" Tab, 36" Buckle
65007674	F11795	Belt - Driver's Seat, ELR/ALR, W/ Shoulder Adjustable 73"/78" Headroom
65007675	F11800	Belt - Driver's Seat, ELR/ALR, W/ Shoulder Adjustable 73"/78" Headroom
65011332		Belt - Driver's Seat, ELR/ALR, W/ Shoulder Adjustable 73"/78" Headroom
65007423	F11633	Belt - Driver's Seat ELR, W/ Shoulder Adjuster, 73"/78" Headroom
65007673	F11794	Belt - Driver's Seat, ELR, W/ Shoulder Adjuster, 73"/78" Headroom
65011339		Belt - Driver's Seat, ELR, W/ Shoulder Adjuster, 73"/78" Headroom
65005343	F10023	Belt - Driver's Seat, ELR/ALR, Dual Retractor W/ Adjustable "D" Loop Static Seat 73"/78" Headroom
65005540	F10045	Belt - Driver's Seat, ELR, Single Retractor W/ Adjustable "D" Loop Static Seat Retractor W/ Adjustable "D" Loop
65005370	F10046	Belt - Driver's Seat, ELR, Single Retractor W/ Adjustable "D" Loop Static Seat, 73"/78" Headroom
65005541	F10048	Belt - Driver's Seat, ELR, Single Retractor W/ Adjustable "D" Loop & Tether Static Seat 78" Headroom
65005511	F10050	Belt - Driver's Seat, ELR/ALR, Dual Retractor, W/ Adjustable "D" Seat 78" Headroom
65005515	F10241	Belt - Driver's Seat, ELR/ALR, Dual Retractor, W/ Adjustable "D" Loop, Static Seat, 73" Headroom
65005516	F10242	Belt - Driver's Seat, ELR/ALR, Dual Retractor, W/ Adjustable "D" Loop, Static Seat, 78" Headroom
65005953	F10426	Belt - Driver's Seat, ELR/ALR, Dual Retractor, W/ Adjustable "D" Loop, Suspension Seat, 73" Headroom
65005954	F10427	Belt - Driver's Seat, ELR/ALR, Dual Retractor, W/ Adjustable "D" Loop, Suspension Seat, 73"/78" Headroom
65005956	F10429	Belt - Driver's Seat, ELR/ALR, Dual Retractor, W/ Adjustable "D" Loop, Suspension Seat, 78" Headroom
65005958	F10430	Belt - Driver's Seat, ELR/ALR, Dual Retractor, W/ Adjustable "D" Loop, Suspension Seat, 78" Headroom
65005959	F10448	Belt - Driver's Seat, ELR/ALR, Dual Retractor, W/ Adjustable "D" Loop, Suspension Seat
65005960	F10449	Belt - Driver's Seat, ELR/ALR, Dual Retractor, W/ Adjustable "D" Loop, Suspension Seat, 78" Headroom
65005996	F10466	Belt - Driver's Seat, ELR, Single Retractor, W/ Adjustable "D" Loop, Suspension Seat, 73" Headroom
65005997	F10467	Belt - Driver's Seat, ELR, Single Retractor, W/ Adjustable "D" Loop, Suspension Seat, 73"/78" Headroom
65006027	F10486	Belt - Driver's Seat, ELR, Single Retractor, W/ Adjustable "D" Loop, Suspension Seat, 73" Headroom
65006028	F10487	Belt - Driver's Seat, ELR, Single Retractor, W/ Adjustable "D" Loop, Suspension Seat, 78" Headroom
65006029	F10488	Belt - Driver's Seat, ELR, Single Retractor, W/ Adjustable "D" Loop, Suspension Seat, 78" Headroom
65006030	F10489	Belt - Driver's Seat, ELR, Single Retractor, W/ Adjustable "D" Loop, Suspension Seat, 78" Headroom
65006424	F10666	Belt - Driver's Seat, ELR, Suspension Seat, Single Retractor, Black, 73" Headroom
65006425	F10667	Belt - Driver's Seat, ELR, Single Retractor, W/ Adjustable "D" Loop, Suspension Seat 78" Headroom
65005373	F10044	Belt - Driver's Seat, ALR/ELR, W/ Adjustable "D" Loop
81650087	LR600D	Belt - Driver's Seat Assembly, Dual Automatic Locking Retractors
65007616		Belt-Driver's Seat, ACALR, Lap Belt

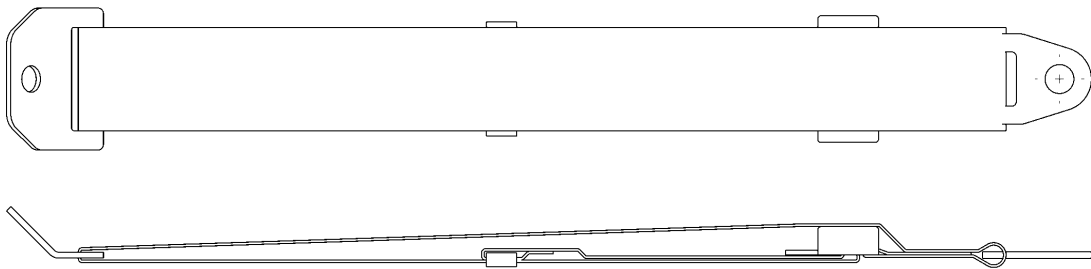
**\*Refer to the number on the original seat belt to determine which replacement belt is needed.**

## Driver's Seat Belt



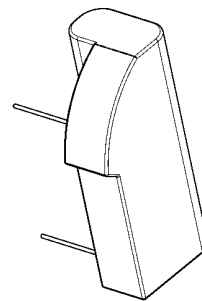
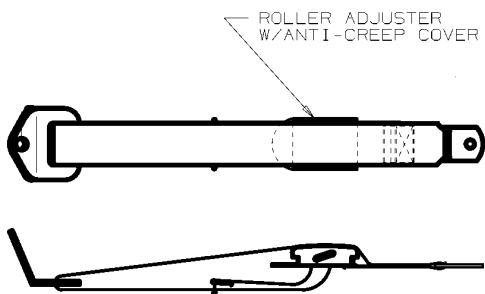
### Extension

Part No.	Description
65004466	Belt - Driver's Seat, 6" Extension for 3-Point Belt
65007444	Extender-Belt, Driver's Seat, 78 HR



### Tether

Part No.	Description
65011333	Belt-Tether, Adjustable Length, Loop Style, Black



### Tether

Part No.	Description
65004575	Belt - Tether, 28" - 32" Adjustable Length, Loop Style, Black, Suspension Seat (Pair)
65006884	Belt - Tether, 16" - 20" Adjustable Length, Loop Style, Black, Suspension Seat (Pair)

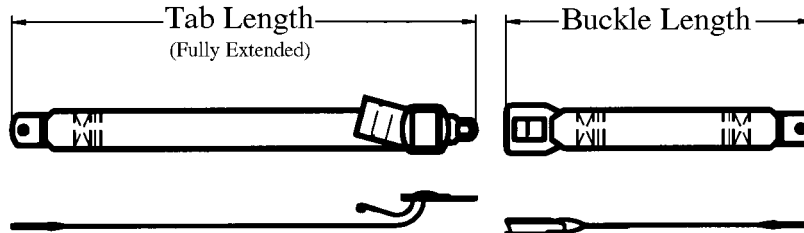
### D-Loop

Part No.	Description
53002711	Pad - Assembly, "D" Loop Support Bracket
53002728	Pad - Assembly, "D" Loop Support Bracket

# SEAT BELTS

## Passenger's Seat Belt

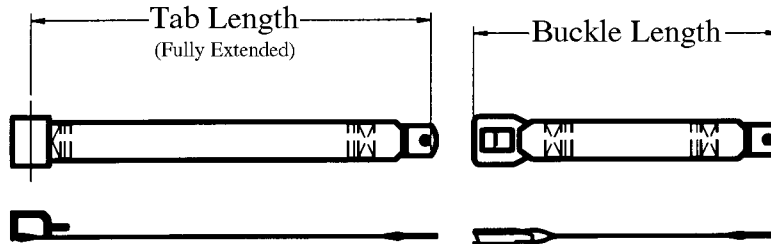
### Push Button Release, Flat End Fitting, No Retractor



Part No.	Color	Tab	Buckle	Vendor
65004534	Maroon	45"	20"	
65004535	Tan	45"	23"	
65004536	Black	45"	23"	
65004731	Maroon	47"	13"	
65004732	Tan	47"	13"	
65004733	Black	47"	13"	
65010710	Black	47"	13"	Amsafe
65010711	Tan	47"	13"	Amsafe
65010712	Maroon	47"	13"	Amsafe
65004751	Black	49"	19"	
65004752	Tan	49"	19"	
65004753	Maroon	49"	18"	
65010707	Black	49"	19"	Amsafe
65010708	Tan	49"	19"	Amsafe
65010709	Maroon	49"	19"	Amsafe

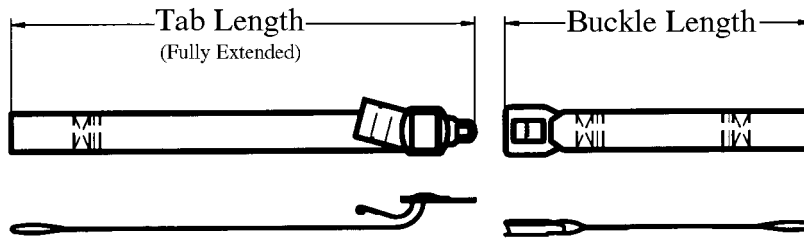
## Passenger's Seat Belt

### Push Button Release, Flat End Fitting, Retractor



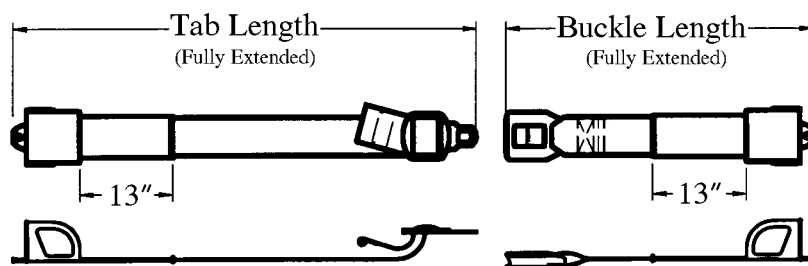
Part No.	Color	Tab	Buckle
65004958	Maroon	50"	13"
65004959	Tan	50"	13"
65004960	Black	50"	13"

### Push Button Release, Loop On, Retractor



Part No.	Color	Tab	Buckle
65004537	Black	51"	30"
65004538	Black	33"	33"

### Push Button Release, Boot W/ Retractor

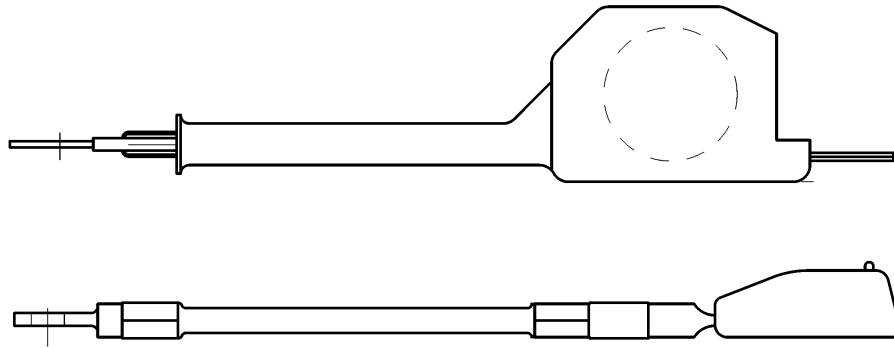


Part No.	Color	Tab	Buckle
65004539	Black	28"	60"

# SEAT BELTS

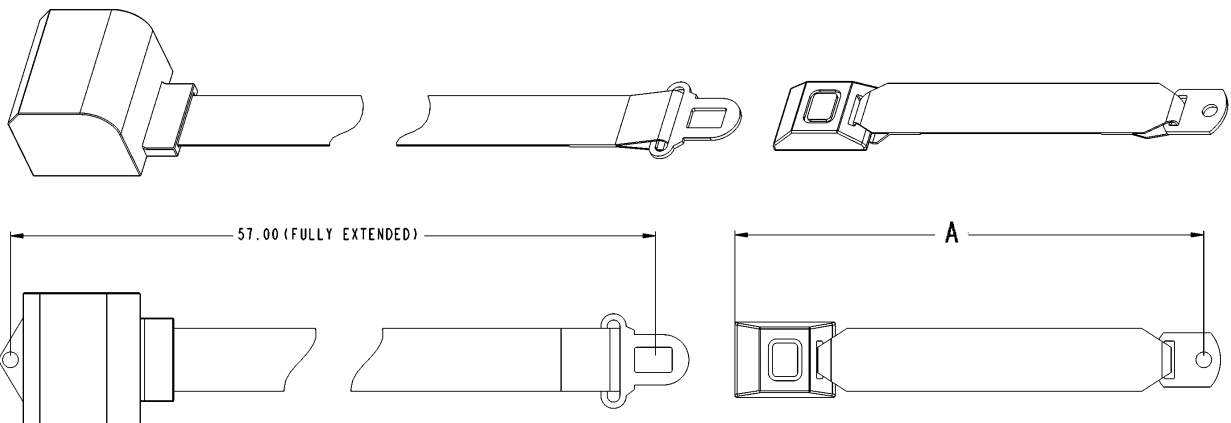
## Passenger's Seat Belt

### Jam Resistant, Slide Buckle W/12" Cable



Part No.	Color	Tab	Buckle
65007184	Black	60"	12"
65007185	Tan	60"	12"
65009294	Maroon	60"	12"
65007959	Black	60.33"	13.25"
65007960	Tan	60.33"	13.25"
65007961	Maroon	60.33"	13.25"

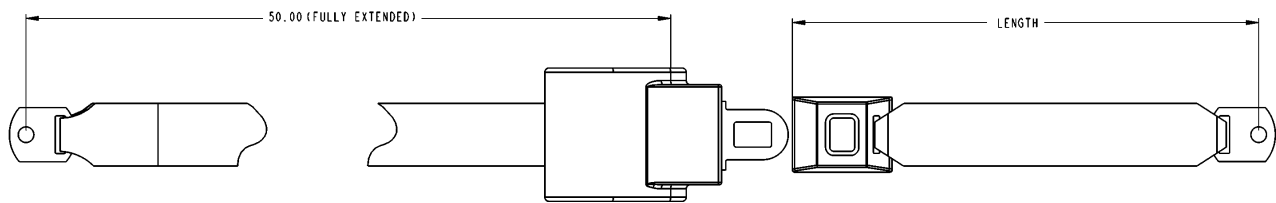
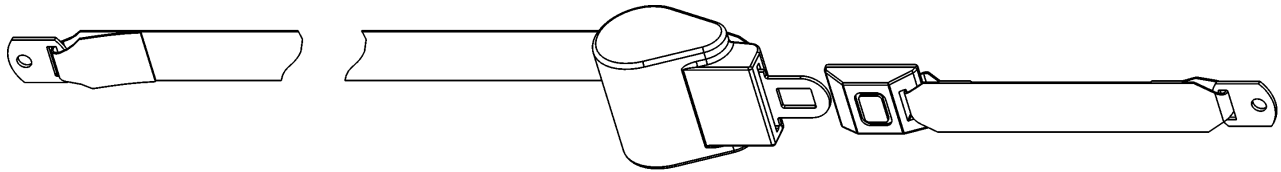
### Push Button Release, W/ Retractor



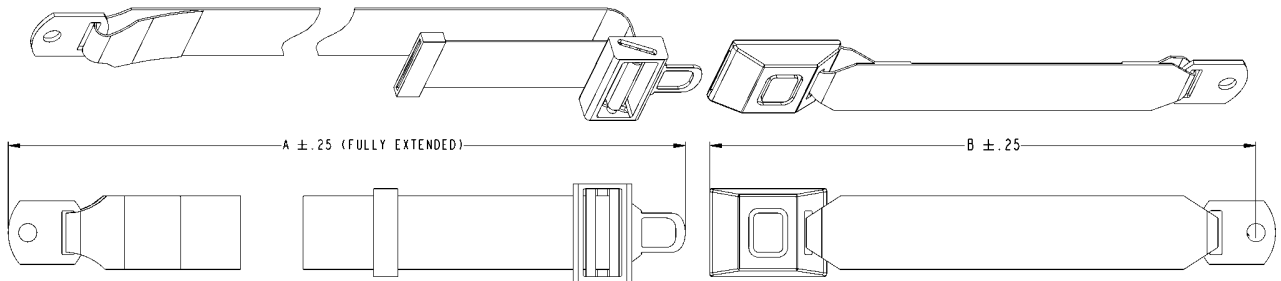
Part No.	Color	Tab	Buckle (A)
65007967	Black	57"	21"
65007968	Maroon	57"	20"
65007969	Tan	57"	22"

## Passenger's Seat Belt

### Push Button Release, Flat End Fitting W/ Retractor



Part No.	Color	Tab	Buckle (Length)
65007955	Maroon	50"	14"
65007956	Tan	50"	14"
65007957	Black	50"	14"
65010452	Black	50"	17"

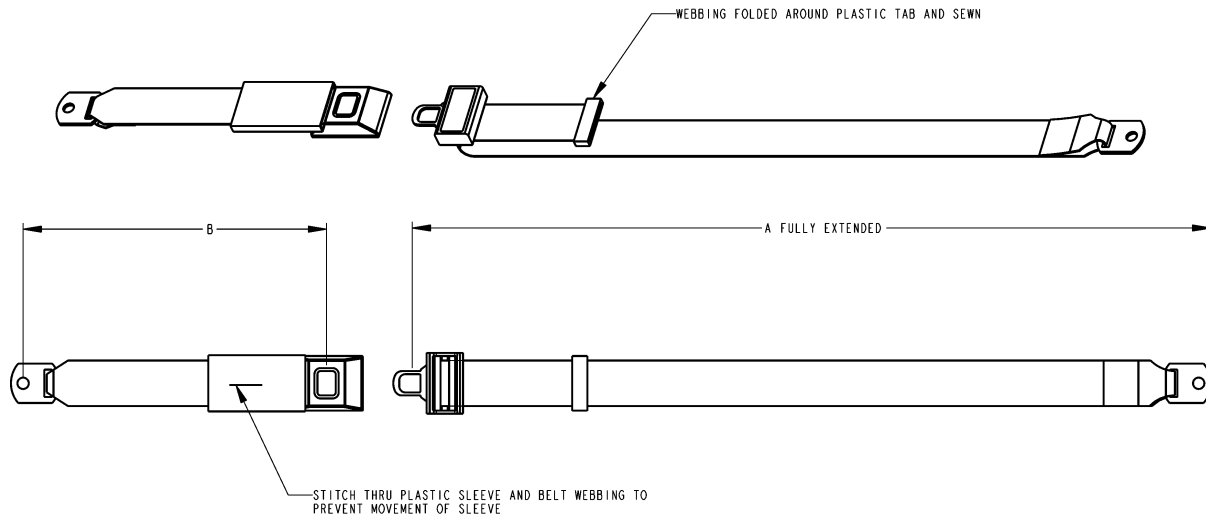


Part No.	Color	Tab (A)	Buckle (B)	Location	Vendor No
65007949	Maroon	47"	13"	Davenport	ABLP1302-401
65007950	Tan	47"	13"	Davenport	ABLP1302-403
65007951	Black	47"	13"	Davenport	ABLP1302-405
65007952	Black	49"	19"	Pass. Wall	ABLP1302-407
65007953	Tan	49"	19"	Pass. Isle	ABLP1302-409
65007954	Maroon	49"	19"	Pass. Center	ABLP1302-411

# SEAT BELTS

## Passenger's Seat Belt

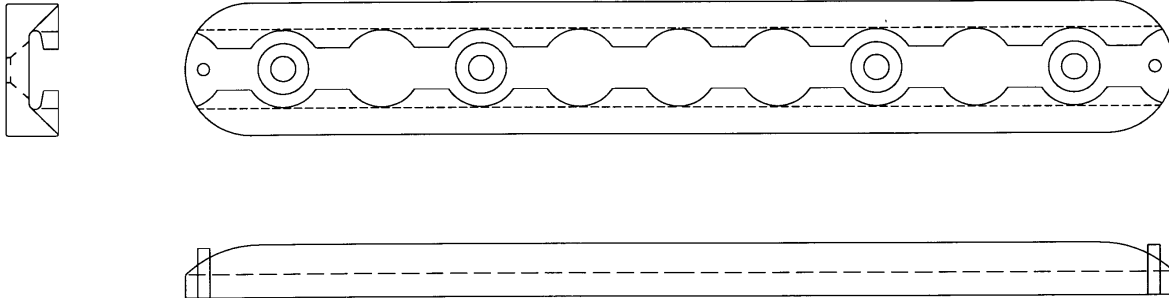
### Push Button Release, Flat End Fitting, No Retractor



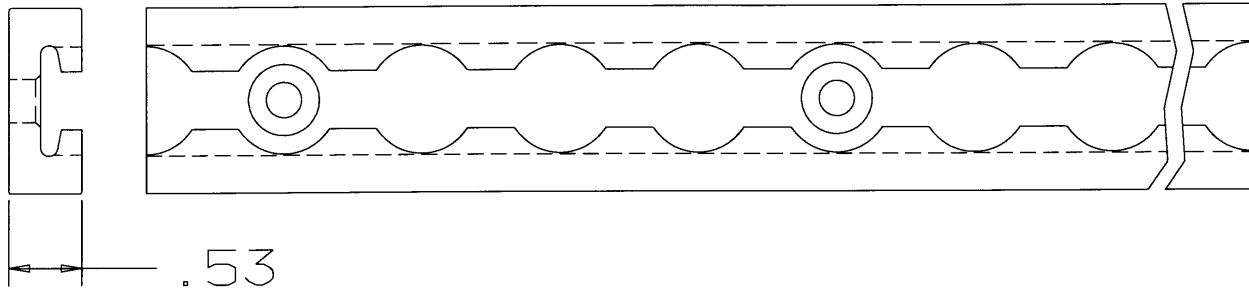
Part No.	Color	Tab (A)	Buckle (B)	Location
65010714	Black	61"	9 1/2"	Pass. Seat - Wall Side
65010715	Tan	61"	9 1/2"	Pass. Seat - Aisle Side
65010716	Maroon	61"	9 1/2"	Pass. Seat - Center Seat
65010728	Black	61"	11"	Pass. Seat - Wall Side
65010730	Maroon	61"	11"	Pass. Seat - Center Seat
65010734	Tan	61"	11"	Pass. Seat - Aisle Side
65010731	Black	59"	4"	Davenport Seat - Wall Side
65010732	Maroon	59"	4"	Davenport Seat - Center Seat
65010733	Tan	59"	4"	Davenport Seat - Aisle Side
65010249	Black	61"	11"	Pass. Seat - Wall Side
65010250	Maroon	61"	11"	Pass. Seat - Aisle Side
65010251	Tan	61"	11"	Pass. Seat - Center Seat
65010252	Black	59"	4"	Davenport Seat - Wall Side
65010253	Maroon	59"	4"	Davenport Seat - Center Seat
65010254	Tan	59"	4"	Davenport Seat - Aisle Side
65010377	Black	61"	9 1/2"	Pass. Seat - Wall Side
65010378	Maroon	61"	9 1/2"	Pass. Seat - Center Seat
65010379	Tan	61"	9 1/2"	Pass. Seat - Aisle Side



## Wheelchair Restraints

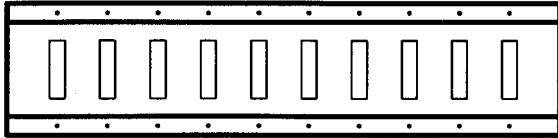


Part No.	Description
65006292	Track - Extruded Aluminum, Button 10" Length, Black Epoxy Finish
29920034	Screw - Drill, 1/4" - 20 x 1 3/8"
69003102	Screw - Drill, 1/4" - 20 x 1"

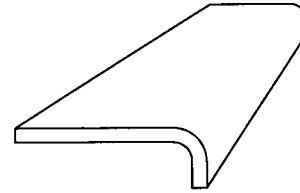


Part No.	Description
65008026	Track - Extruded Aluminum, Button Series L, 100" Length, Natural Finish
65008035	Track - Extruded Aluminum, Button Series L, 100" Length, Black Finish
65008041	Track - Extruded Aluminum, Button Series L, 50" Length, Black Finish
69004030	Nut - Kep, Hex 1/4" - 20
69002121	Screw - Cap, 1/4" - 20 x 3 1/2"
69002183	Screw - Cap, 1/4" - 20 x 1"
69002184	Screw - Cap, 1/4" - 20 x 1 1/4"
69002091	Screw - Cap, 1/4" - 20 x 1 1/2"

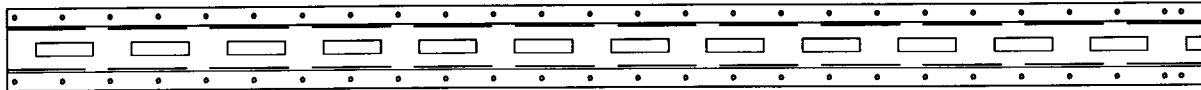
## Wheelchair Restraints



Part No.	Description
65001233	Track - Wheelchair Tie Down 120"



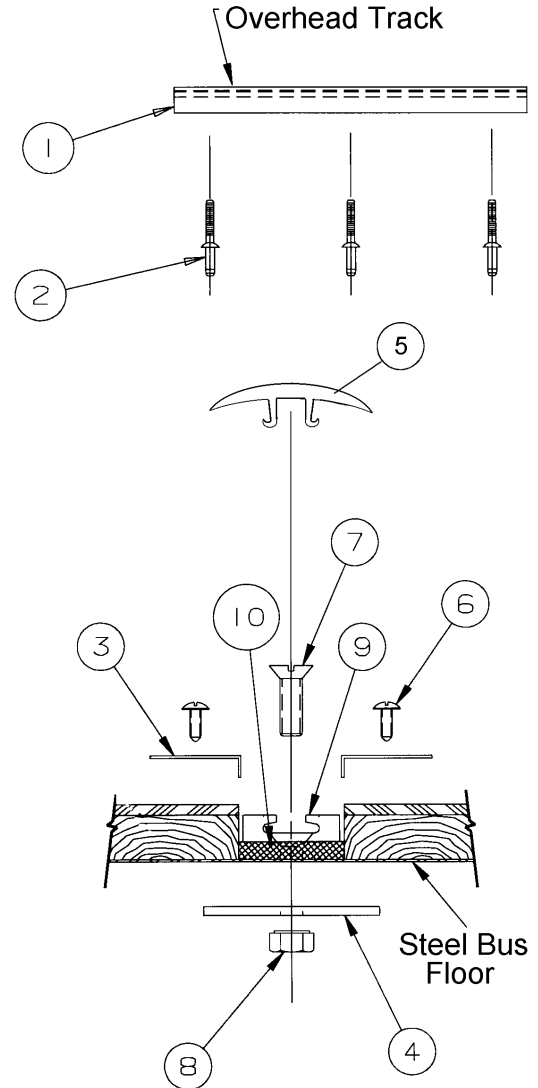
Part No.	Description
65002931	Trim - Recessed Track, Wheelchair Tie Down, 120" Long



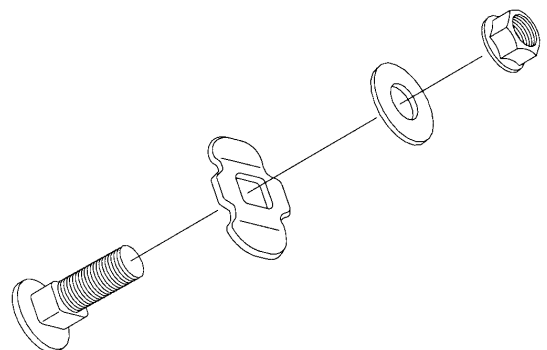
Part No.	Description
65002721	Track - Wheelchair Tie Down, Vertical Series "A", 120" Long

## Button Track

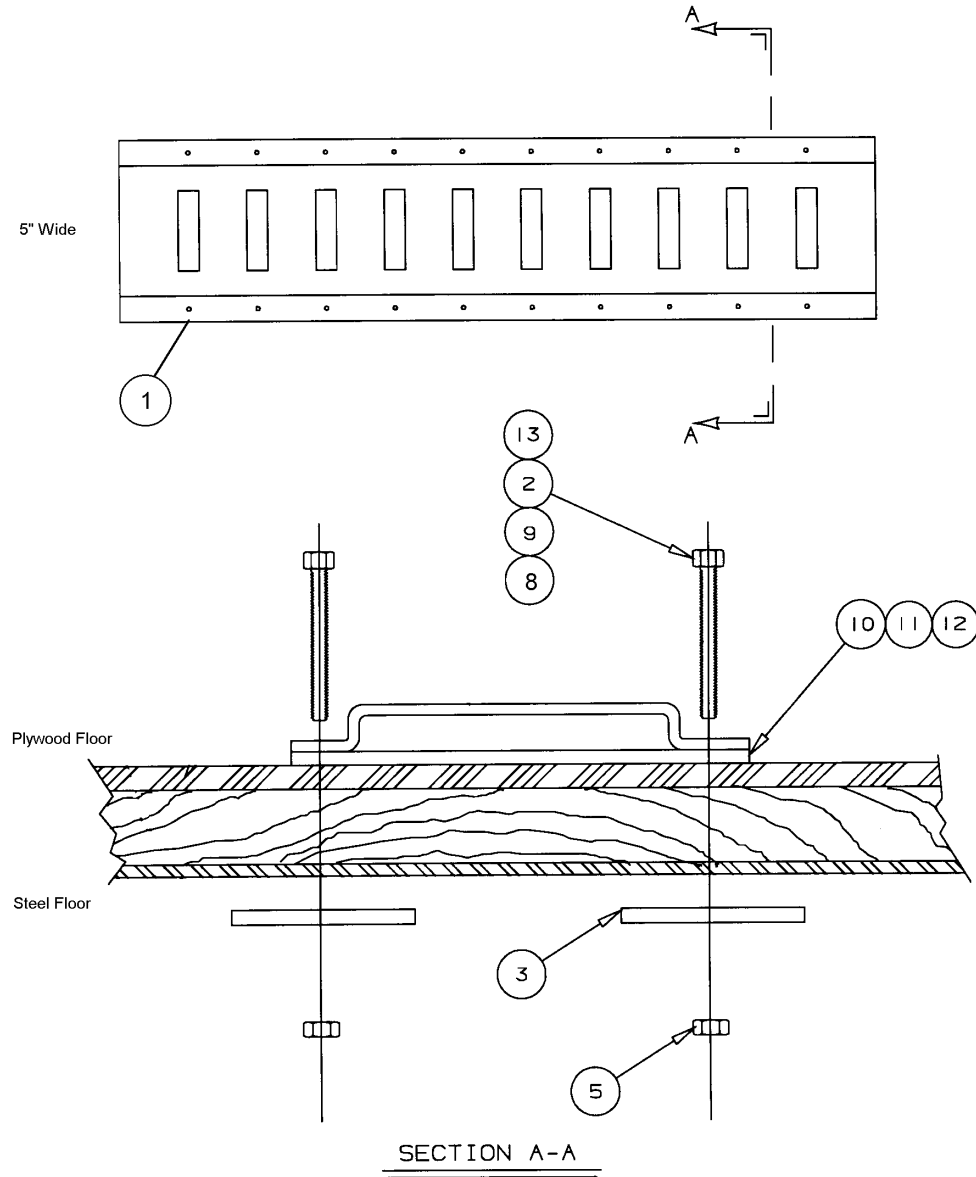
Item No.	Part No.	Description
1	65006292	Track - Extruded Aluminum Button, Overhead, 10" Length
2	69005013	Rivet, 1/4", Avdel "Hemlock"
3	65002931	Trim - Galvalume
4	65002741	Plate - Backing, 12 Gauge x 2" x 2"
	69004085	Washer-Flat, 1/4 ID W/ 1 1/4 OD, Plain, Circular
	65007083	Reinforcement, Aluminum L Button Track, 12ga. 2" X 6"
5	64004367	Cover - Dust
6	69003013	Screws - Tapping, #10 x 5/8", Quadrix Truss Head
	69003099	Screw-Tapping, No. 10 X 5/8, Truss Head, Quadrex 2/2, Type AB, Zinc Plated
7	69002184	Screw - Cap, 1/4" - 20 x 1 1/4", Grade 8
	69002121	Screw - Cap, 1/4" - 20 x 3 1/2"
	69002183	Screw - Cap, 1/4" - 20 x 1"
	69002091	Screw - Cap, 1/4" - 20 x 1 1/2"
8	69004030	Nut - Lock, 1/4" - 20, Grade 8
9	65008035	Track - Extruded Aluminum Button, 100" Length
	65008041	Track - Extruded Aluminum Button, 50" Length
10	65004277	Plywood - Fill Strip, Luan, 1/4" Nominal x 1 3/8" x 96"
	65005548	Shim, Rubber - Alum. Floor Track, 1/8" X 1 1/4" X 37"



Part No.	Description
69006239	Fitting - Seat, Track



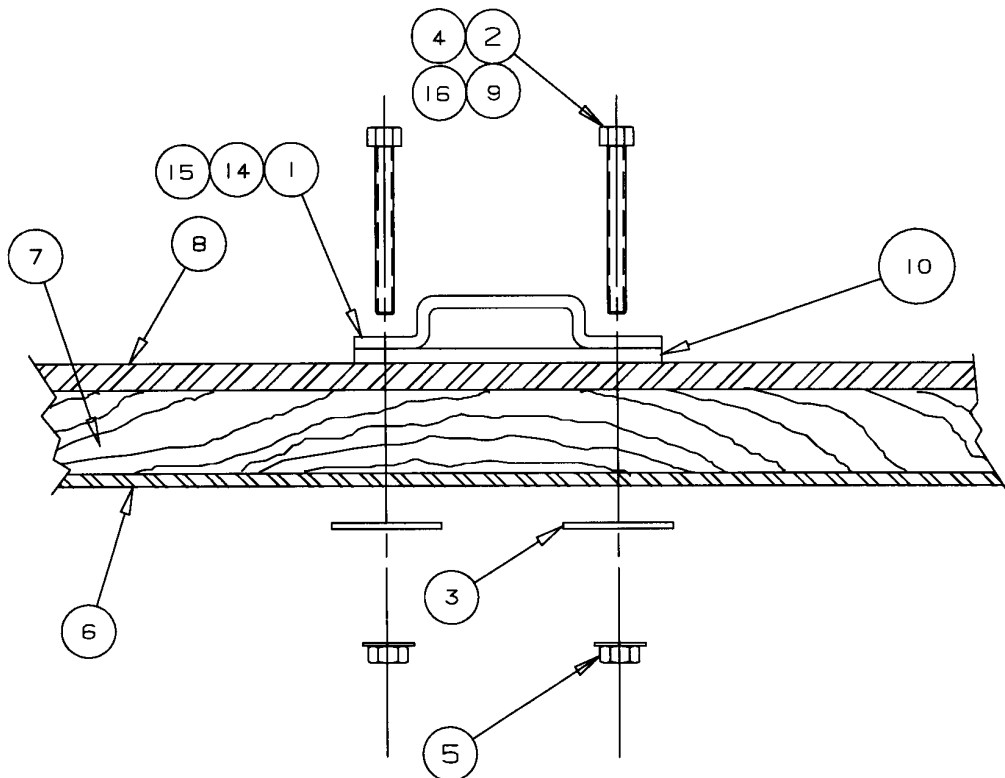
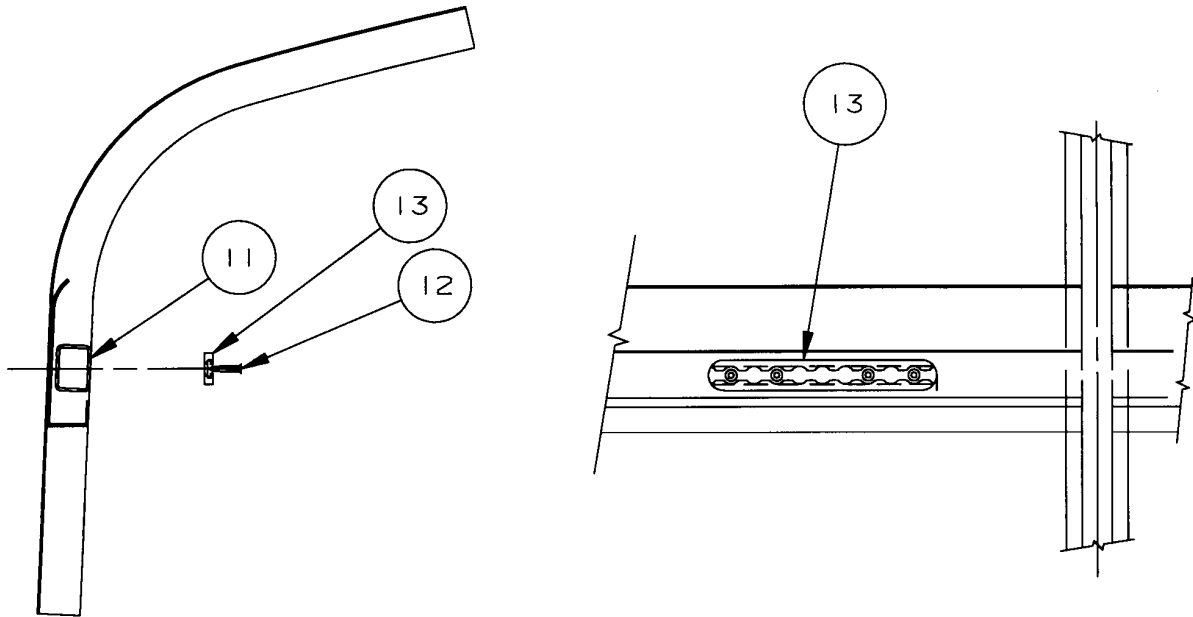
## Kinedyne "A" Series Restraint



## Kinedyne "A" Series Restraint

Item No.	Part No.	Description
1	65001233	Track - Kinedyne Series A-FE702-01, 10' Long, 5" Wide
2	69001111	Bolt - Hex Head, 1/4" - 20 x 1 3/4" (W/Plywood Option Only)
	27213546	Bolt - Hex, 1/4" - 20 x 1"
	69001124	Bolt - Hex, 1/4" - 20 x 3/1/2"
3	65002741	Plate - Backing, 12 Gauge x 2" x 2"
	65007083	Washer - 2 x 6 Minn. State Required x 12 Gauge
	69004085	Washer - Flat, 1/4" Inner Diameter x 1 1/4" Outer Diameter
4	69003099	Screw - Tapping, No. 10 x 5/8"
5	69004030	Nut - Lock, Zinc dep 1/4" - 20
6	65002721	Track - Vertical, Kinedyne, 10' Long
7	65005357	End - Cap, Kinedyne A-Series
8	27180034	Screw - Cap, 1/4" - 20 x 1 1/2", Grade 5, Hex
9	69001073	Bolt - Hex Head, Grade 5, Zinc, 1/4" - 20 x 4"
10	65004738	Plate - Backing, Kinedyne Series A/E Track 68" Length
11	65004739	Plate - Backing, Kinedyne Series A/E Track 30" Length
12	65005332	Plate - Backing, Kinedyne Series A/E Track 50" Length
13	27180052	Screw - Cap, 1/4" - 20 x 3", Grade 5, Hex

## A/L Series Restraints

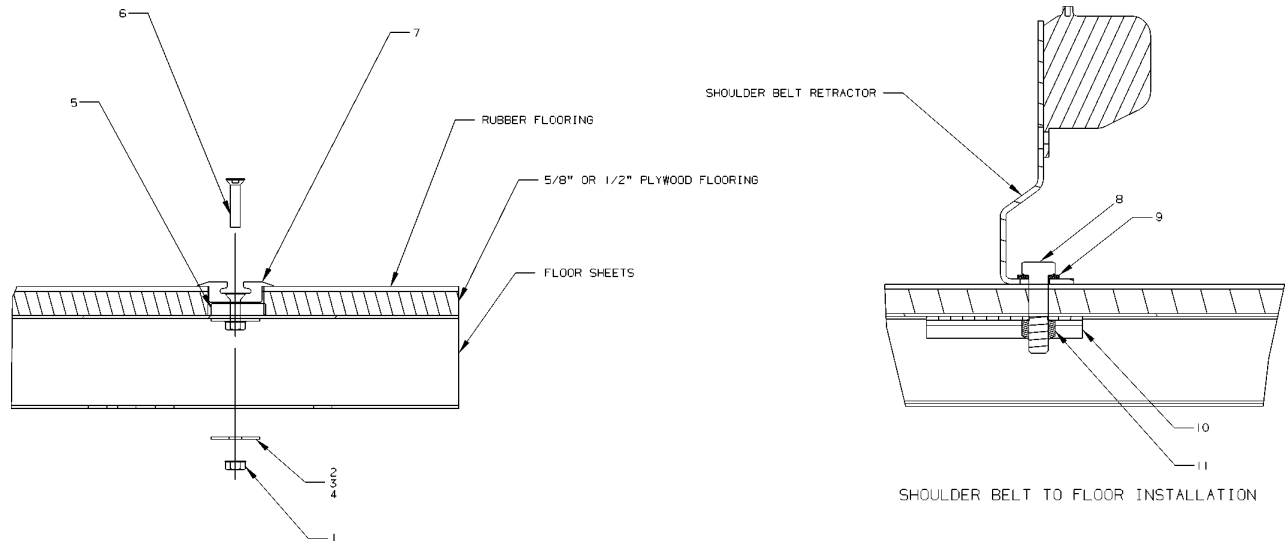


## A/L Series Restraints

Item No.	Part No.	Description
1	65005330	Track - Kinedyne Series 2025
2	69001111	Screw - Cap, Hex, 1/4" - 20 x 1 3/4", W/ Plywood
3	69004085	Washer - Flat, 1/4"
4	27180034	Screw - Cap, Hex, Grade 5, 1/4" - 20 x 1 1/2"
5	69004030	Nut - Lock, 1/4" - 20
6	27180052	Screw - Cap, Hex, Grade 5, 1/4" - 20 x 3 1/2"
7	69003099	Screw - Tapping, No. 10 x 5/8"
8	65005357	Track - End Cap, Kinedyne A-Series
9	69001073	Bolt - Hex, 1/4" - 20 x 4", W/ Plywood Option Only
10	65005332	Plate - Backing, Kinedyne Series A/E Track
11	65004701	Tubing, 1" x 2" x 11 Ga. x 27 1/4" Long
12	29920034	Screw - Machine, Self Threading, 1/4" - 20 x 1 3/8"
13	65006292	Track - Extruded Aluminum Button, L-Type, 10" Length

# SEAT BELTS

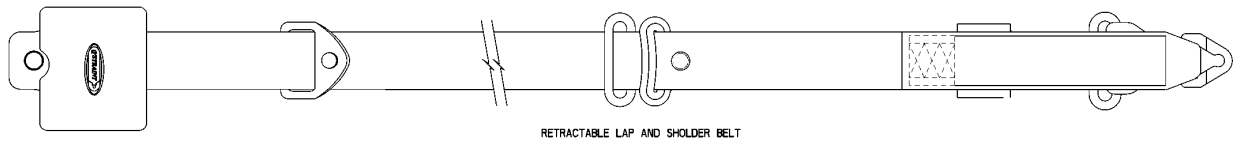
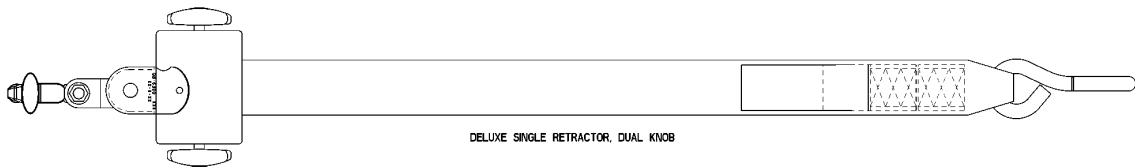
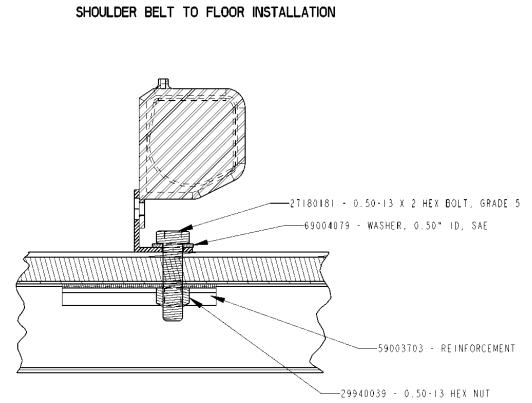
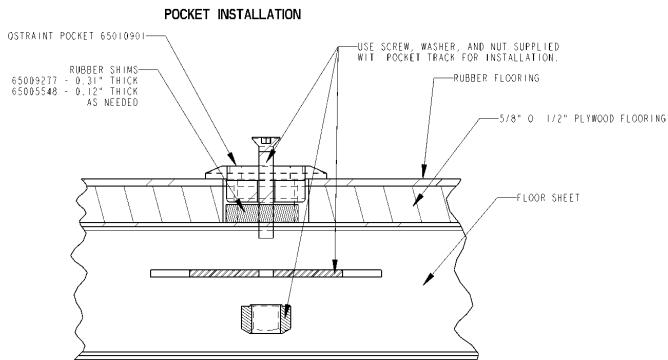
## Flanged Track Installation, Type L (Button), Sure-Lok



Item No.	Part No.	Description
1	69004030	Nut - Lock, 1/4" - 20
2	69004085	Washer - Flat, 1/4"
3	65002741	Plate-Backing, Button Tracks, Tie Tech Wheel Chair Restraint System, 12ga. x 2" x 2"
4	69004114	Washer, Flat - 5/16 I.D. x 1 1/2 O.D. Clipped Circular, Hardened Steel
5	65005548	Shim, Rubber - Aluminum Floor Track, 1/8" x 1 1/4" x 37"
	65009277	Shim, Rubber, Aluminum Track, 5/8" Plywood Floor 50.0 x 1.25 x .31
6	69002183	Screw-Cap, 1/4-20 x 1" Socket Flat Head., Min. Hd. Dia., Alloy Steel, Black Poly.
	69002184	Screw-Cap, 1/4-20 x 1 1/4" Socket Flat Head., Min. Hd. Dia., Alloy Steel, Black Poly.
	69002121	Screw-Cap, 1/4-20 x 3 1/2" Socket Flat Head., Min. Hd. Dia., Alloy Steel, Black Poly.
7	65008574	Track Flanged Extruded Alum. Heavy Duty Series L, 8" Length, W/ 4 Countersunk Holes.
	65009279	Track, Flanged, Extruded Aluminum Button Series L, 50" Length, Black Finish
	65009276	Track, Flanged, Extruded Aluminum Button Series L, 100" Length, Natural Finish
8	27180181	Bolt-Hex Head 1/2-13 x 2 Zinc Grade 5
9	69004079	Washer-Flat, 1/2" ID, 1 1/16 OD, (SAE)
10	59003703	Belt Reinforcement, Tether, Air Suspension Driver Seat
11	29940039	Locknut - 1/2-13 Prevailing Torque, Hex, Grade 8 Plated



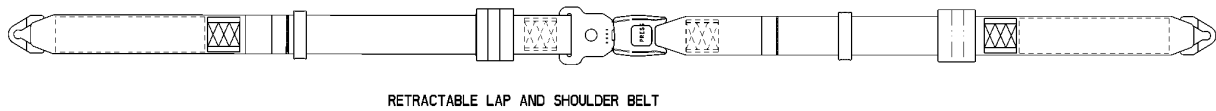
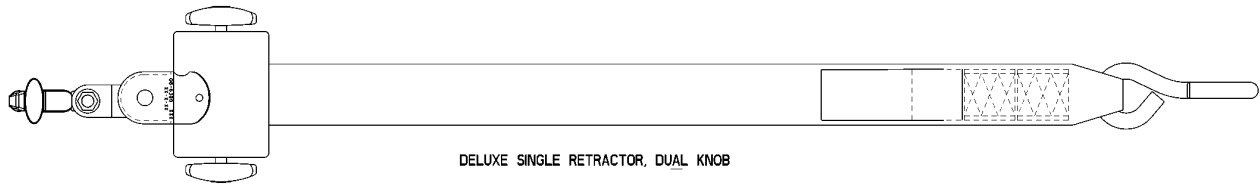
## Pocket Installation & Hardware, Q'Straint



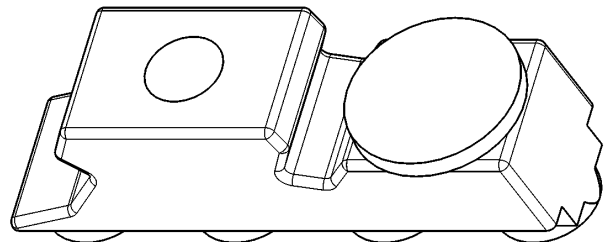
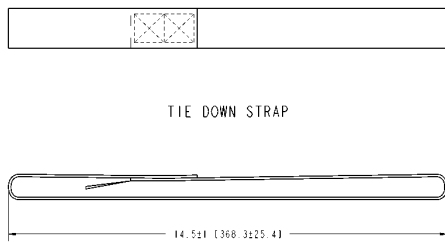
Part No.	Description
65010899	Deluxe Wheelchair & Occupant Retractable System For Aluminum L Track, Retractable Shoulder/Lap Belt

# SEAT BELTS

## Pocket Installation & Hardware, Q'Straint



Part No.	Description
65010900	Wheelchair & Occupant Retractable System For Aluminum L Track, Regular Shoulder/Lap Belt



Part No.	Description
117992	Restraint Strap, Wheelchair System, Q'Straint

Part No.	Description
65011107	Q'Straint Anchor, Shoulder Restraint - L Series Button Track

## Wheelchair Restraint Belts

### Kinedyne

Part No.	Vendor No.	Description
65004876	FE501	Straps - Wheelchair Tiedown Kit, Assembly Kit Contains Two Over Center Buckle Straps & Two Cam Buckle Straps W/ Heavy Duty Series A Fitting.
65005336	FE510	Straps - Wheelchair Tiedown Kit, Assembly Kit Contains Four Over Center Buckle Straps W/ Heavy Duty Series A Fitting
65010088		Restraint System Kit, Seven Point Positive Lock, Wheel Chair Occupant Belts
65010089		Restraint System Kit, Seven Point Positive Lock, Wheel Chair Occupant Belts
65010090		Restraint System Kit, Seven Point Positive Lock, Wheel Chair Occupant Belts
65010091	FE517-1	Restraint Kit, Sure-Lok
65005341	FE517	Restraint - Wheelchair Tiedown, Over Center Buckle, Series L Fitting, Positive Lock
85650825	FE200603	Strap - Buckle, Wheelchair Securement, Over Center
65004875	FE200612	Restraint - Occupant, Wheelchair, Lap Portion
65005334	FE200601	Restraint - Occupant, Wheelchair, Lap Portion
65005340	FE200594	Restraint - Occupant, Wheelchair Lap Belt, Series "L" Track Fitting
65005335	FE200599	Restraint - Occupant, Wheelchair, Shoulder Harness
65005350	FE744-01	Track - Extruded Aluminum Button, Series "L", 100" Length, Natural Finish

### Q'Straint

Item No.	Vendor No.	Description
65006890	65002951	Belt, Q'Straint, Washington State Kit
65004524		Kit - Three Point Occupant Restraint
85650694	Q5-6110	Left Hand Rear Belt
85650693	Q5-6111	Right Hand Rear Belt
85650856	Q5-6210	Left Hand Front Belt
85650857	Q5-6211	Right Hand Front Belt
85650858	Q5-6320	Lap Belt
85650859	Q5-6410	Shoulder Belt
85650798	Q5-7560	Stainless Steel Floor Plate
65006933		Plastic Riser, Floor Plate
65007577		Pouch
27446152		Washer
29001373		Rivet

### Tie Tech Wheelchair Restraint Roll Bar Type

Part No.	Description
65002753	Floor Mount
65005026	Crotch Button & Belt
65006535	Right Side Wall Mount
65006536	Left Side Wall Mount
65002742	Backing Plate for Crotch Button

# SEAT BELTS

---

---

**TABLE OF CONTENTS**

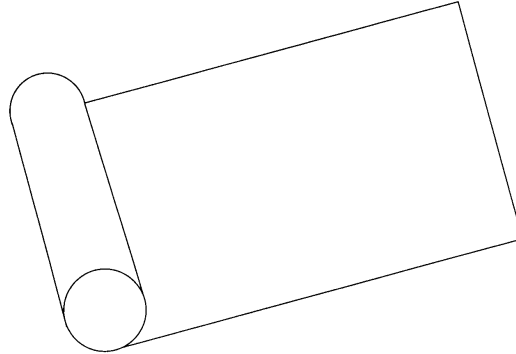
Covering & Miscellaneous .....10.2

Cover Strips .....10.6

Rubber Nosing & Floor Strips .....10.7

Step Treads .....10.8

## Covering & Miscellaneous



### Smooth Floor Covering (Sanded Back) 1/8" x 12 Yard Length Rolls

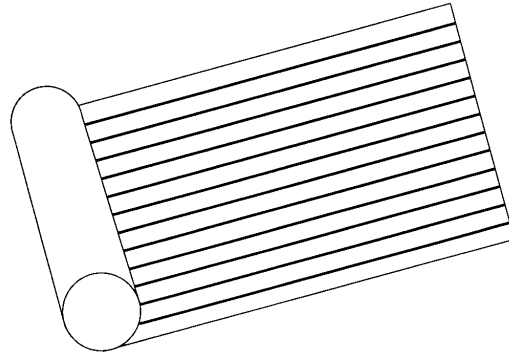
37" Wide Part No.	44" Wide Part No.	Description
	25144377	Black
65004456	65004457	Black Marble (TR165)
85650804	65002145	Blue Marble (TR702)
85650806	65002148	Gray Marble (TR711)
85650803	65002146	Green Marble (TR653)
85650805	65002147	Tan Marble (TR777)
59004150	65007774	Dark Gray (TR766)
65002737		Chip Gray (TR546)

### Smooth Floor Covering (Sanded Back) 1/8" x 37" Wide Rolls

20 Yard Part No.	Description
25125377	Black
85650802	37" Smooth Black, 18 1/2 yd. Roll
59004714	Black Koroseal, 20 yd. Roll

30 Yard Part No.	Description
85650755	Black
85650756	Green Marble (TR653)
85650757	Blue Marble (TR702)
85650758	Tan Marble (TR777)
85650759	Gray Marble (TR711)

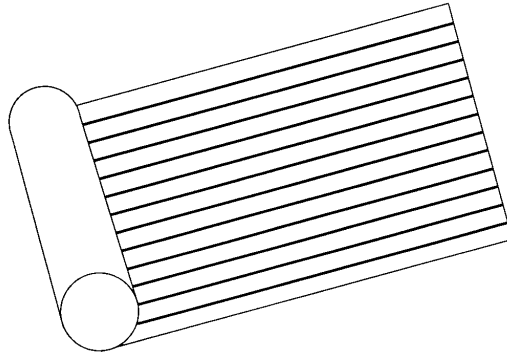
**Covering & Miscellaneous**



**Ribbed Floor Covering  
3/16" x 13" Wide Rolls**

12 Yard Part No.	30 Yard Part No.	Description
25126377	85650760	Black
65004459		Black Marble (TR165)
25013377		Blue (TR702)
85650808	85650762	Blue Marble (TR702)
85650810	85650764	Gray Marble (TR711)
25016377		Green (TR653)
85650807	85650761	Green Marble (TR653)
25015377		Tan (TR777)
85650809	85650763	Tan Marble (TR777)
59004323		Dark Gray (TR766)

## Covering & Miscellaneous

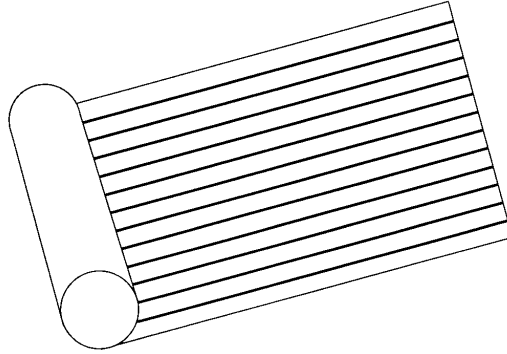


**Ribbed Floor Covering  
3/16" x 24" Wide Rolls**

11.5 Yard Part No.	28 Yard Part No.	30 Yard Part No.	Description
59006405	25089365		Black
		59004722	Black Korseal
65007400			Black Marble (TR165)
25009377			Blue (TR702)
65001925			Gray Marble (TR711)
25012377			Green (TR653)
25011377			Tan (TR777)
65007773			Dark Gray (TR766)
65007402			Chip Gray (TR546)
65006911			Granite



**Covering & Miscellaneous**



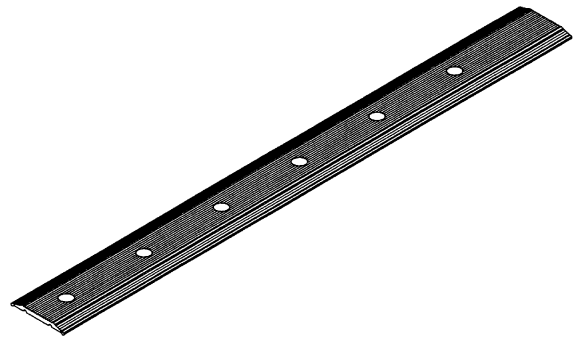
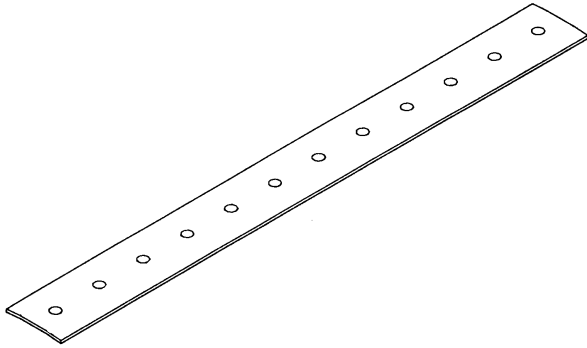
**Ribbed Floor Covering  
3/16" x 36" Wide Rolls**

<b>11.5 Yard Part No.</b>	<b>Description</b>
65002508	Black
65001783	Black Marble (TR165)
65002511	Blue (TR702)
65002507	Gray Marble (TR711)
65002509	Green (TR653)
65002510	Tan (TR777)
59004151	Dark Gray (TR766)

**Adhesive**

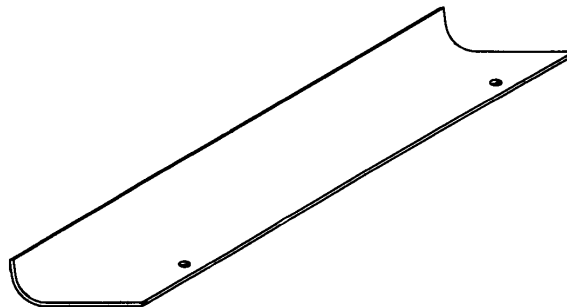
<b>Part No.</b>	<b>Description</b>
68000927	Water Base 1 Gallon

## Cover Strips



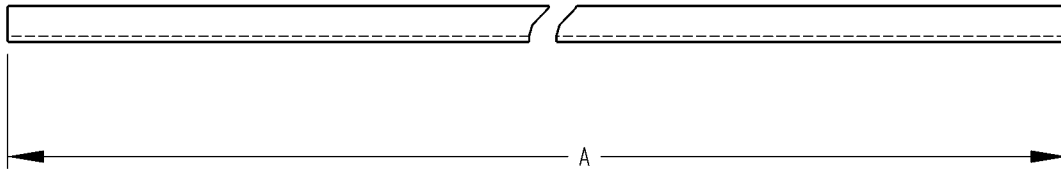
Part No.	Description
60001849	Strip - Cover, Floor Covering Joint, 134 7/16"
25430000	Strip - Aisle, 3/4" x 87 1/2"
69003118	Screw - Tapping

Part No.	Description
25013371	Strip - Cover, Aluminum, 135" Long
85650493	Strip - Cover, Aluminum, 67 1/2" Long
27162703	Screw - Tapping
60003131	Strip - Cover, Aisle Rigid PVC, Black, 125' Roll
69003197	Screw - Tapping

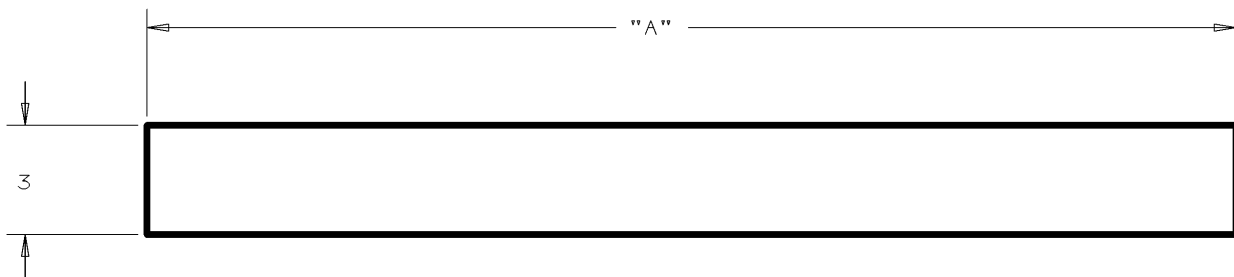


Part No.	Description
60001336	Molding - Shoe, 96" Long (1989 To Present)
20036376	Molding - Shoe, 96" Long

Rubber Nosing & Floor Strips



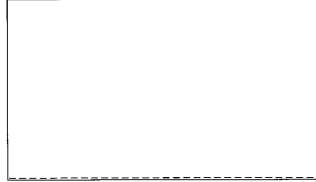
Part No.	Length (A)	Color	Backing	Description
47000842	36"	White	Bonded Metal	
47001935	36"	Yellow	Bonded Metal	
47001936	36"	Yellow	Stainless Steel	
47002150	53.500	Yellow	Bonded Metal	Bode Side EXD 44" OPG. STL
47002151	53.500	White	Bonded Metal	Bode Side EXD 44" OPG. STL
47002152	53.500	Yellow	Stainless Steel	Bode Side EXD 44" OPG. STL
47002153	53.500	White	Stainless Steel	Bode Side EXD 44" OPG. STL



Part No.	Length (A)	Color	Description
65005041	55.875	White	ADA Strip, Slip Resistant

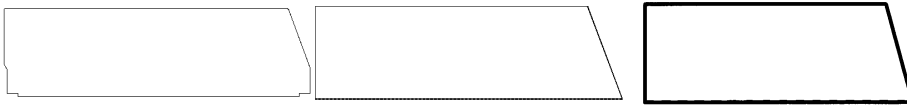
## Step Treads

### Universal Step Treads



Part No.	Description	Color
85470001	21 1/2" x 37 1/2"	Black
85470002	21 1/2" x 37 1/2"	Tan
85470007	21 1/2" x 37 1/2"	Blue
85470008	21 1/2" x 37 1/2"	Grey
85470009	21 1/2" x 37 1/2"	Green

### Korseal Pebble Outward-Opening Door



First Step Part No.	Second Step Part No.	Third Step Part No.	Color	Nose Color	Backing
47002529	47002531	47002533	Black	White	Bonded Metal
47002530	47002532	47002534	Gray	White	Bonded Metal
47002555	47002558	47002561	Green	White	Bonded Metal
47002556	47002559	47002562	Blue	White	Bonded Metal
47002557	47002560	47002563	Tan	White	Bonded Meta

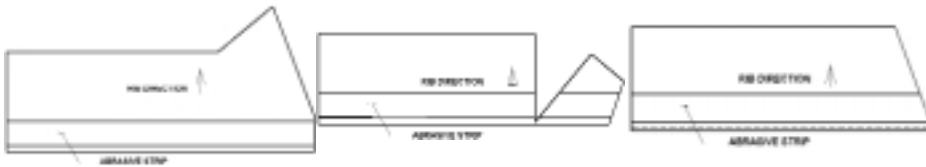
Step Treads

Abrasive  
Outward-Opening Door



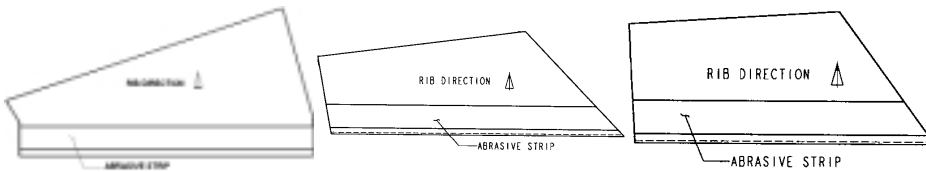
First Step Part No.	Second Step Part No.	Third Step Part No.	Color	Nose Color	Backing
47002309	47002310	47002302	Black	White	Bonded Metal

Abrasive  
Jackknife Door



First Step Part No.	Second Step Part No.	Third Step Part No.	Color	Nose Color	Backing
47002300	47002301	47002302	Black	White	Bonded Metal

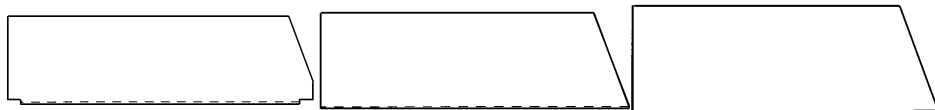
Abrasive  
Outward-Opening Door & Jackknife Door 8-3/4" Stepwell



First Step Part No.	Second Step Part No.	Third Step Part No.	Color	Nose Color	Backing
47002305	47002303	47002304	Black	White	Bonded Metal

## Step Treads

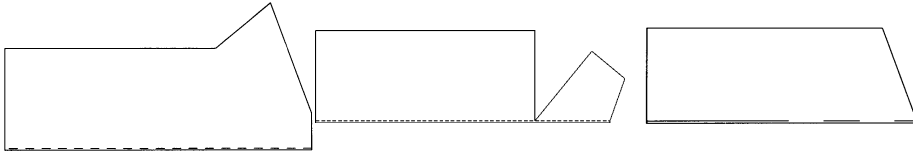
### Conventional, Vista & Saf-T-Liner July 1991 to Present Outward-Opening Door



First Step Part No.	Second Step Part No.	Third Step Part No.	Color	Nose Color	Backing
47001470	47001458	47001437	Black	White	Bonded Metal
47001471	47001459	47001438	Green Marble	White	Bonded Metal
47001473	47001461	47001440	Tan Marble	White	Bonded Metal
47001474	47001462	47001441	Blue Marble	White	Bonded Metal
47001475	47001463	47001442	Gray Marble	White	Bonded Metal
47001476	47001464	47001443	Blue Marble	White	Stainless Steel
47001477	47001465	47001444	Tan Marble	White	Stainless Steel
47001478	47001466	47001445	Green Marble	White	Stainless Steel
47003111	47003109	47003110	Dark Gray Marble	Yellow	Bonded Metal

**Step Treads**

**Conventional, Vista & Saf-T-Liner  
July 1991 to Present  
Jackknife Door**



First Step Part No.	Second Step Part No.	Third Step Part No.	Color	Nose Color	Backing
47001413	47001425	47001437	Black	White	Bonded Metal
47001414	47001426	47001438	Green Marble	White	Bonded Metal
47001416	47001428	47001440	Tan Marble	White	Bonded Metal
47001417	47001429	47001441	Blue Marble	White	Bonded Metal
47001418	47001430	47001442	Gray Marble	White	Bonded Metal
47001419	47001431	47001443	Blue Marble	White	Stainless Steel
47001420	47001432	47001444	Tan Marble	White	Stainless Steel
47001421	47001433	47001445	Green Marble	White	Stainless Steel
47002347	47002345	47002343	Dark Gray	White	Bonded Metal
47002348	47002346	47002344	Dark Gray	White	Stainless Steel

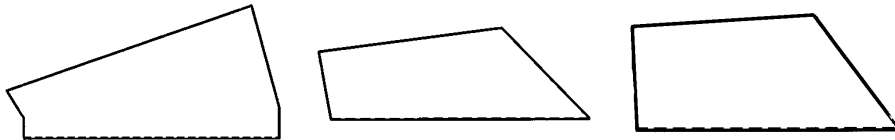
## Step Treads

### Saf-T-Liner, All Star & MVP-EF October 1991 to Present Outward-Opening Door



First Step Part No.	Second Step Part No.	Third Step Part No.	Color
47001555	47001564	47001573	Black
47001556	47001565	47001574	Green Marble
47001557	47001566	47001575	Tan Marble
47001558	47001567	47001576	Blue Marble
47001559	47001568	47001577	Gray Marble
47003151	47003149	47003150	Dark Gray

### Saf-T-Liner, All Star & MVP-EF October 1991 to Present Jackknife Door



First Step Part No.	Second Step Part No.	Third Step Part No.	Color
47001598	47001564	47001573	Black
47001599	47001565	47001574	Green Marble
47001600	47001566	47001575	Tan Marble
47001601	47001567	47001576	Blue Marble
47001602	47001568	47001577	Gray Marble
47003148	47003149	47003150	Dark Gray



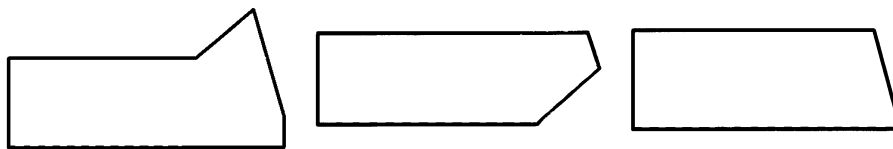
**Step Treads**

**Saf-T-Liner  
September 1990 to July 1991  
Outward-Opening Door**



First Step Part No.	Second Step Part No.	Third Step Part No.	Color
47001253	47001264	47001275	Black
47001254	47001265	47001276	Green
47001255	47001266	47001277	Red
47001256	47001267	47001278	Tan
47001257	47001268	47001279	Blue
47001258	47001269	47001280	Gray

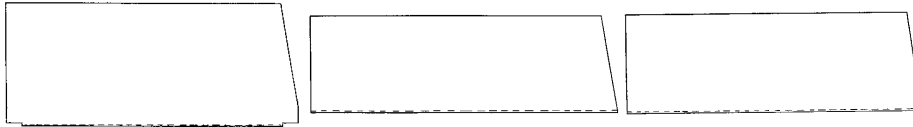
**Saf-T-Liner  
September 1990 to July 1991  
Jackknife Door**



First Step Part No.	Second Step Part No.	Third Step Part No.	Color
47001297	47001308	47001275	Black
47001298	47001309	47001276	Green
47001300	47001311	47001278	Tan
47001301	47001312	47001279	Blue
47001302	47001313	47001280	Gray

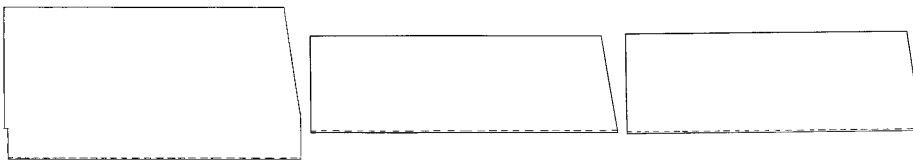
## Step Treads

### Saf-T-Liner 1977 to September 1990 Outward-Opening Door



First Step Part No.	Second Step Part No.	Third Step Part No.	Color
07002377	07008377	07011377	Black
07003377	07009377	07012377	Green
47000705	47000710	47000711	Tan
47000706	4700709	47000712	Blue
4700904	47000905	47000906	Gray

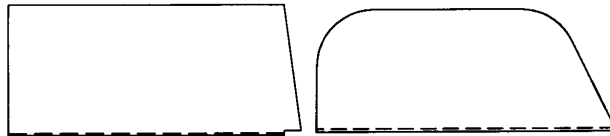
### Saf-T-Liner 1977 to September 1990 Jackknife Door



First Step Part No.	Second Step Part No.	Third Step Part No.	Color
07005377	07008377	07011377	Black
07006377	07009377	07012377	Green
47000708	47000710	47000712	Tan
47000707	47000709	47000906	Blue
47000903	47000905		Gray

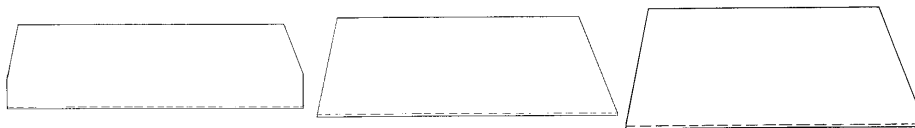
**Step Treads**

**Conventional & Vista  
1996 to July 1991  
Outward-Opening Door, 2-Step**



First Step Part No.	Second Step Part No.	Color
07018369	07017369	Black
07053369	07055369	Green
47000691	47000689	Tan
47000692	47000690	Blue
47000888	47000890	Gray

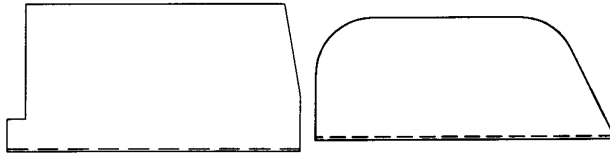
**Conventional & Vista  
1982 to July 1991  
Outward-Opening Door, 3-Step Option**



First Step Part No.	Second Step Part No.	Third Step Part No.	Color
47000193	47000195	47000197	Black
47000194	47000196	47000198	Green
47000675	47000673	47000671	Tan
47000676	47000674	47000672	Blue
47000894	47000895	47000896	Gray

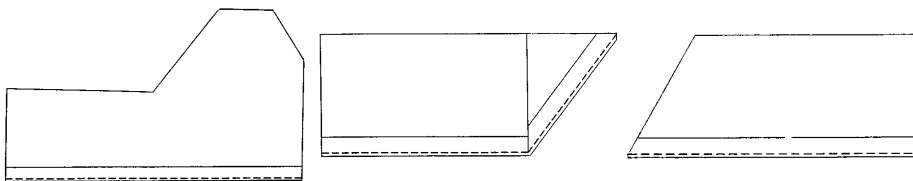
## Step Treads

### Conventional & Vista 1969 to July 1991 Jackknife Door, 2-Step



First Step Part No.	Second Step Part No.	Color
07016369	07017369	Black
07053369	07055369	Green
47000670	47000689	Tan
47000669	47000690	Blue
47000889	47000890	Gray

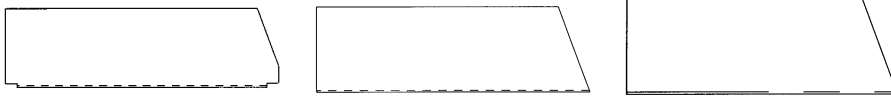
### Conventional & Vista 1982 to July 1991 Jackknife Door, 3-Step Option



First Step Part No.	Second Step Part No.	Third Step Part No.	Color
47000163	47000164	47000165	Black
47000685	47000681	47000678	Green
47000683	47000680	47000677	Tan
47000684	47000682	47000679	Blue
47000897	47000898	47000899	Gray

Step Treads

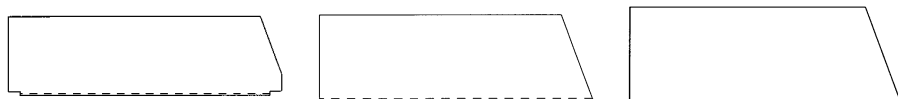
ER-Transit  
Outward-Opening Door, Bonded Metal Backing



First Step Part No.	Second Step Part No.	Third Step Part No.	Color	Nose Color	Backing
47001942	47001948	47001954	Soft Green Marble	Yellow	Bonded Metal
47001943	47001949	47001955	Medium Blue Marble	Yellow	Bonded Metal
47001944	47001950	47001956	Tan Marble	Yellow	Bonded Metal
47001960	47001978	47001996	Gray Marble	Yellow	Bonded Metal
47001961	47001979	47001997	Black Marble	Yellow	Bonded Metal
47002063	47002055	47002048	Gray Chip	Yellow	Bonded Metal
47001962	47001980	47001998	Charcoal Gray	Yellow	Bonded Metal
47002064	47002056	47002047	Black	Yellow	Bonded Metal
47002349	47002353	47002357	Dark Gray	Yellow	Bonded Metal
47001963	47001981	47001999	Soft Green Marble	White	Bonded Metal
47001964	47001982	47002000	Medium Blue Marble	White	Bonded Metal
47001965	47001983	47002001	Tan Marble	White	Bonded Metal
47001966	47001984	47002002	Gray Marble	White	Bonded Metal
47001967	47001985	47002003	Black Marble	White	Bonded Metal
47002065	47002057	47002049	Gray Chip	White	Bonded Metal
47001968	47001986	47002004	Charcoal Gray	White	Bonded Metal
47002066	47002058	47002050	Black	White	Bonded Metal
47002350	47002354	47002358	Dark Gray	White	Bonded Metal

## Step Treads

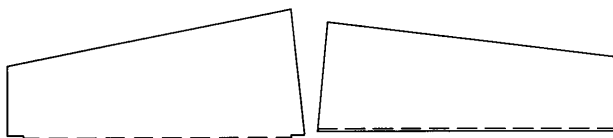
### ER-Transit Outward-Opening Door, Stainless Steel Backing



First Step Part No.	Second Step Part No.	Third Step Part No.	Color	Nose Color	Backing
47001945	47001951	47001957	Soft Green Marble	Yellow	Stainless Steel
47001946	47001952	47001958	Medium Blue Marble	Yellow	Stainless Steel
47001947	47001953	47001959	Tan Marble	Yellow	Stainless Steel
47001969	47001987	47002005	Gray Marble	Yellow	Stainless Steel
47001970	47001988	47002006	Black Marble	Yellow	Stainless Steel
47002067	47002059	47002051	Gray Chip	Yellow	Stainless Steel
47001971	47001989	47002007	Charcoal Gray	Yellow	Stainless Steel
47002068	47002060	47002052	Black	Yellow	Stainless Steel
47002351	47002355	47002359	Dark Gray	Yellow	Stainless Steel
47001972	47001990	47002008	Soft Green Marble	White	Stainless Steel
47001973	47001991	47002009	Medium Blue Marble	White	Stainless Steel
47001974	47001992	47002010	Tan Marble	White	Stainless Steel
47001975	47001993	47002011	Gray Marble	White	Stainless Steel
47001976	47001994	47002012	Black Marble	White	Stainless Steel
47002069	47002061	47002053	Gray Chip	White	Stainless Steel
47001977	47001995	47002013	Charcoal Gray	White	Stainless Steel
47002070	47002062	47002054	Black	White	Stainless Steel
47002352	47002356	47002360	Dark Gray	White	Stainless Steel

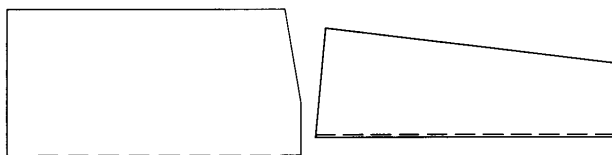
**Step Treads**

**Mighty Mite  
Before October 1994  
Outward-Opening Door**



First Step Part No.	Second Step Part No.	Color
07025377	07017369	Black
47000715	47000718	Green
47000713	47000716	Tan
47000714	47000717	Blue
47000900	47000902	Gray

**Mighty Mite  
Before October 1994  
Jackknife Door**



First Step Part No.	Second Step Part No.	Color
07029377	07027377	Black
47000720	47000718	Green
47000721	47000716	Tan
47000719	47000717	Blue
47000901	47000902	Gray

# FLOOR

---

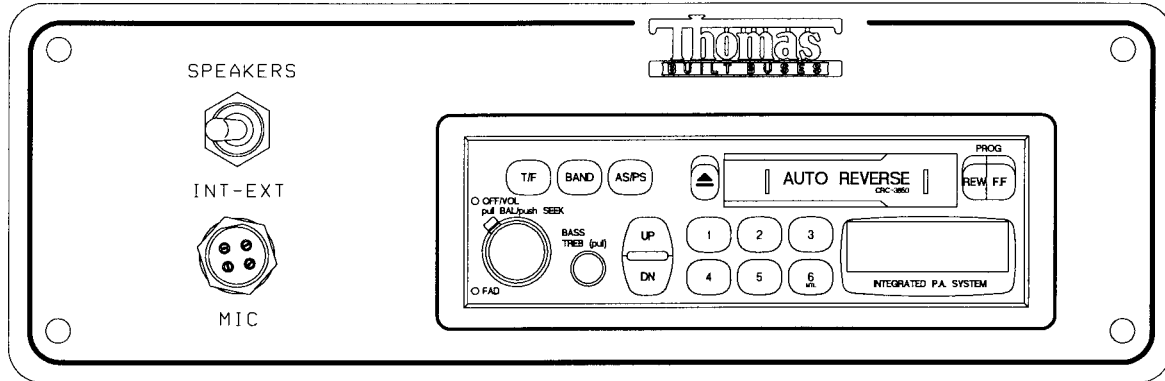
---



**TABLE OF CONTENTS**

Radio Equipment .....11.2

## Radio Equipment

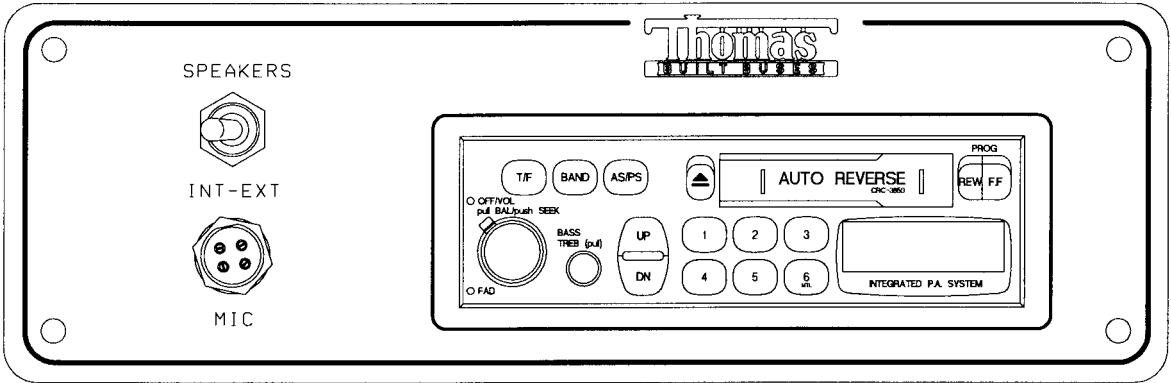


### Panasonic

Part No.	Description (Used Prior To July 1998)
65002747	Radio - AM/FM, W/ PA, Electronic Tune Stereo Receiver, Dynamic Microphone & Holder, Speaker Switch, W/O Cassette
65002749	Radio - AM/FM, Panasonic, W/ Electronic Tune Receiver W/O Cassette
65002921	Public Address - W/ Remote Connector, 25 Watt
65006624	Radio - AM/FM Stereo, W/ Cassette
65006625	Radio - AM/FM Stereo, W/ Cassette & Public Address, Microphone & Holder
65005607	Radio - AM/FM Stereo, W/ Cassette, PA & Microphone
65005317	Radio - AM/FM Stereo, W/ Cassette, Executive W/ PA

Part No.	Description (Start Use July 1998)
65007437	Radio - AM/FM Cassette W/ PA, 60 Watt, Fader Tone Control, Auto Reverse, Quartz Clock
65007803	Same as 65007437 - W/O Faceplate
65007438	Radio - AM/FM Cassette, 60 Watt, Fader Tone Control, Auto Reverse, Quartz Clock
65007802	Same as 65007438 - W/O Faceplate
65007439	Radio - AM/FM Cassette, W/ PA & Microphone
65008112	Same as 65007439 - W/O Faceplate
65007440	Radio - AM/FM, 15 Watt, Seek & Scan, Quartz Clock
65008111	Same as 65007440 - W/O Faceplate
65007441	Radio - AM/FM, W/ PA, Seek & Scan, Quartz Clock
65008110	Same as 65007441 - W/O Faceplate
65007442	Radio - AM/FM, Cassette, W/ PA, Seek & Scan, Quartz Clock
65008108	Same as 65007442 - W/O Faceplate
65007443	Public Address W/ Remote Connector
65008109	Same as 65007443 - W/O Faceplate
65010658	Radio - AM/FM/CD Player W/ Out PA, And W/12 Pin Connector
65010659	Radio - AM/FM/CD Player W/ PA, And W/12 Pin Connector
65010660	Radio - AM/FM/CD Player W/ Out PA, And W/12 Pin Connector, Bracket Mount
65010661	Radio - AM/FM/CD Player W/ PA, And W/12 Pin Connector, Bracket Mount

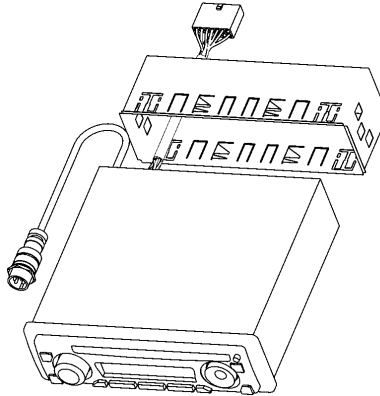
Radio Equipment



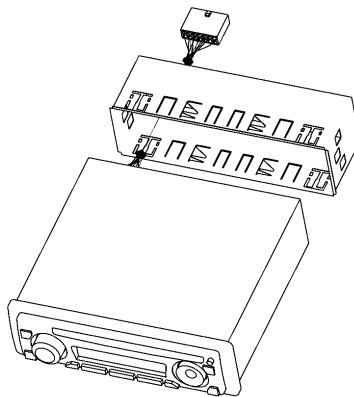
Custom

Part No.	Description
65004864	Radio - AM/FM, Stereo, W/O Public Address
65004862	Radio - AM/FM, Stereo, W/ Public Address & Microphone
85650533	Radio - AM/FM, Cassette, Auto-Reverse, Separate Bass/Treble Controls, W/O Public Address
85650536	Radio - AM/FM, Cassette, DIN Style, Auto-Reverse, Separate Bass/Treble Controls, W/O Public Address
85650537	Radio - AM/FM, Cassette, DIN Style, Auto-Reverse, Separate Bass/Treble Controls, W/ Public Address & Microphone
85650531	Radio - AM/FM, Cassette, DIN Style, Auto-Reverse, W/O Public Address
85650532	Radio - AM/FM, Cassette, DIN Style, Auto-Reverse, W/ Public Address & Microphone
85650745	Radio - AM/FM, Cassette, 7 Channel Weather Band, W/O Public Address
85650746	Radio - AM/FM, Cassette, 7 Channel Weather Band, W/ Public Address
85650896	Radio - AM/FM, Cassette, Din Style, W/ Auto Reverse
65004863	Amplified - Public Address, W/ Microphone
104314	Radio Assembly, AM/FM Cassette, PA Compatible
104331	Radio Assembly, AM/FM CD, PA Compatible W/Mounting Sleeve & Harness
65010888	Radio Assembly, AM/FM Cassette, PA Compatible
65010889	Radio Assembly, AM/FM CD, PA Compatible

## Radio Equipment

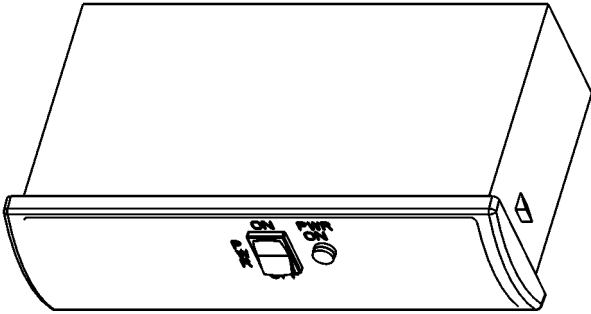


Part No.	Description
120334	AM/FM Radio, CD Player, & Public Address (Panasonic)
120336	AM/FM Radio, Cassette Player, & Public Address W/Mounting Sleeve & Harness (Panasonic)

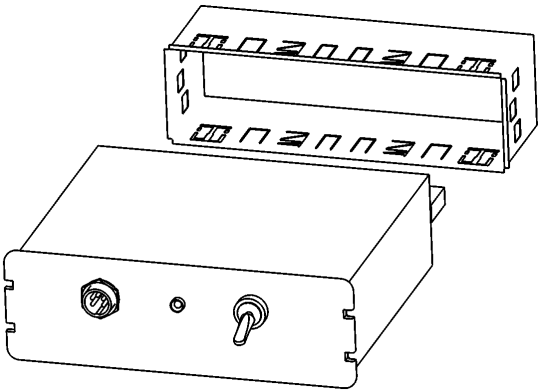


Part No.	Description
120335	AM/FM Radio, CD Player W/Mounting Sleeve & Harness (Panasonic)
120337	AM/FM Radio, Cassette Player W/Mounting Sleeve & Harness (Panasonic)

Radio Equipment

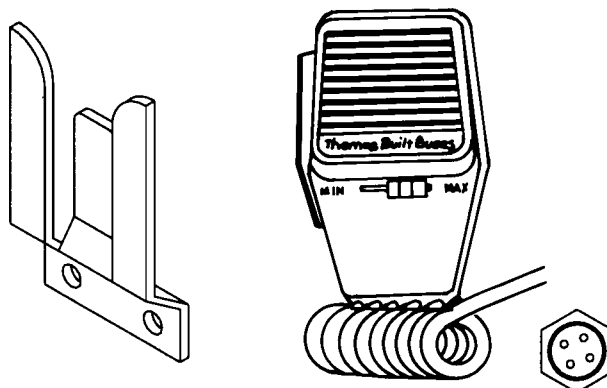


Part No.	Description
65010890	Public Address, DIN Mount



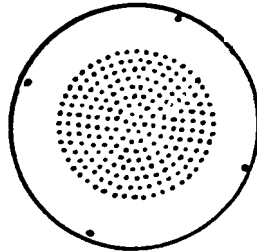
Part No.	Description
120333	Public Address, DIN Mount W/Mounting Sleeve & Harness (Panasonic)

## Radio Equipment

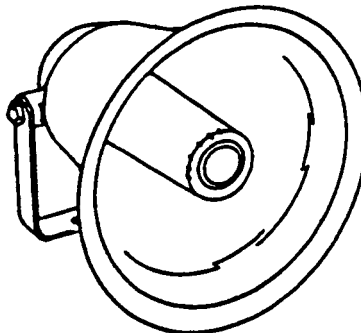


Part No.	Description
65010959	Cable - Extension, 13", Remote Microphone Connector, 4 Pin
65006022	CCable - Extension, 14", Remote Microphone Connector, 5 Pin
85650813	Cable - Extension, 15', Remote Connection, Custom Radio, 4 Pin
65010966	Cable - Extension, 36", Remote Microphone Connector, 4 Pin
65006909	Cable - Extension, 5 Pin, 48" (Forward Control)
85650418	Clip - Mounting, Microphone
65002759	Microphone - Dynamic, Curly Cord, Connector & Holder, 5 Pin
65001190	Microphone - Public Address, 4 Pin
80520236	Microphone - Radio, 90°, 4 Pin
85650008	Microphone - Speco Amp, Single Pin
65010939	Microphone, W/ Volume Control, 6 FT Cord
85650417	Microphone, W/ Volume Control, Custom Radio, 4 Pin
85650544	Microphone, W/ Volume Control, RAC Radio, 4 Pin
120338	Microphone Assembly, Hand Held Integrated Volume Control W/Connector Plug & Clip (Panasonic)
52001956	Rheostat - Volume Control (N Models Only)
65006033	Single - Pin Microphone Extension
65004796	Splitter

**Radio Equipment**



Part No.	Description
65002755	Speaker - Inside, 5/14", 1 Piece Dual Cone Speaker & Grille
85650419	Speaker - 5", Dual Cone, W/ Integral Grille
85650420	Speaker - 4", Metal Grille, 6 Ounce Magnet, 25 Watt
85650421	Speaker - 4", Plastic Grille, 10 Ounce Magnet, 25 Watt
65006442	Speaker - 5 1/4", Premium, 50 Watt
65010896	Speaker - 6", Dual Cone, W/ Black Grille
65010897	Speaker - 6", Coaxial, W/ Black Grille



Part No.	Description
65002756	Horn - External, 8" Aluminum, 8 Ohm
65010937	Horn - Public Address, Exterior, 8" Round, Easy Fit Base
85650750	Horn - Public Address, Exterior, 8" Round, Yellow, 25 Watt
85650751	Horn - Public Address, Exterior, 8", Gray, 25 Watt

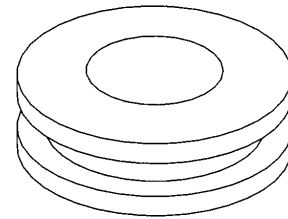
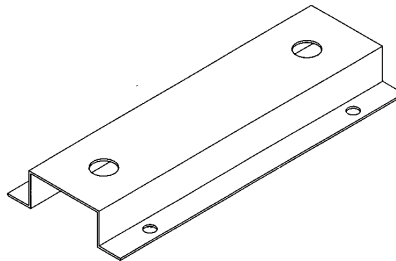
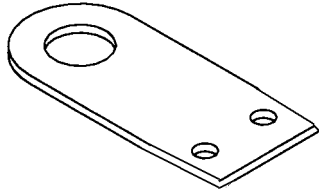
## Radio Equipment

### Faceplate Custom

Part No.	Description
85650424	Faceplate - Radio, W/O Public Address (Fits #65004864, 85650407, 85650409)
85650425	Faceplate - Radio, W/ Public Address (Fits #85650412, 85650414)
85650426	Faceplate - Radio, W/O Public Address (Fits #85650411, 85650413)

### Knob Sets

Part No.	Description
85650429	Kit - Knob, Radio (Fits #65004862, 65004864)
85650431	Kit - Knob, Radio (Fits #85650409, 85650410)
85650433	Kit - Knob, Radio (Fits #85650413, 85650414)
85650752	Knobs - CRC-2500, CRC-3500, CRC-3800 & CRC-4000 Radios



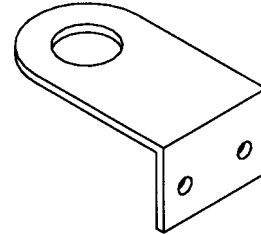
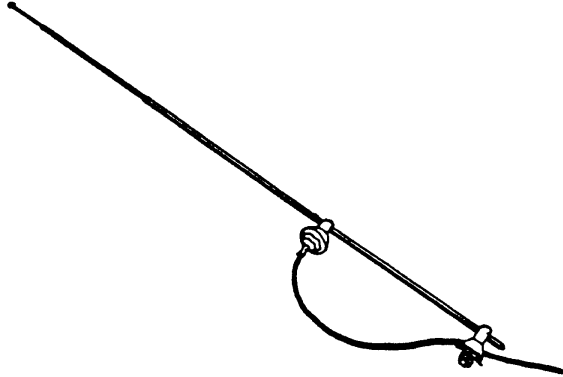
Part No.	Description
65001261	Brace - Mirror, Bracket Mount

Part No.	Description
65000558	Bracket - Mounting, Antenna, Radio

Part No.	Description
65012212	Grommet

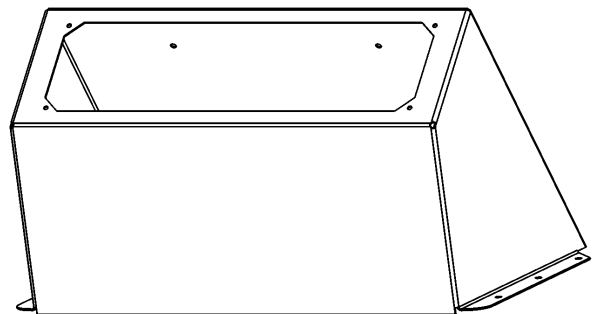
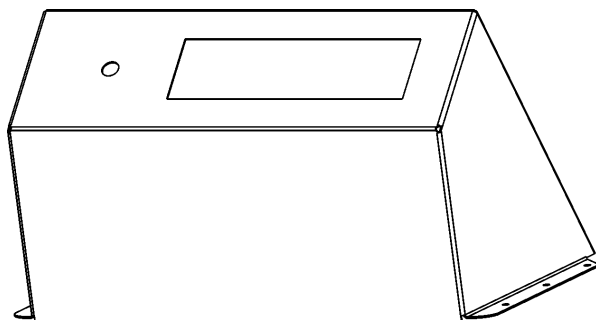


Radio Equipment



Part No.	Description
65007369	Antenna - Lead, 36"
65002757	Antenna - Side Mount, Dual Base, Four Section, 98" W/ 83" Lead
65001553	Antenna - Side Mount, AM/FM
65007122	Extension - Antenna Extension, 96" AM/FM Antenna
65007369	Antenna - Lead, 36"
65011935	Antenna, Radio, Side Mount, Am-Fm Stereo, 42.5" W/ 55" Lead
113888	Antenna, Radio, Side Mount, Am-Fm Stereo, 32" W/ 6" Lead

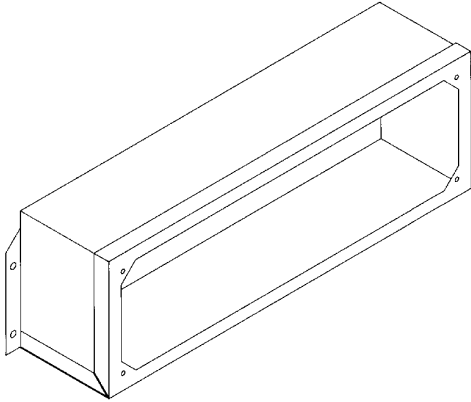
Part No.	Description
65012211	Brace - Antenna Radio
25052375	Radio Antenna Bracket



Part No.	Description
65010914	Radio Console (Start March 10, 2002)

Part No.	Description
65008466	Console - Radio, ER/EF, W/Doran Monitor (Before March 10, 2002)
65008567	Console - Radio, ER/EF, W/O Doran Monitor (Before March 10, 2002)

## Radio Equipment



Part No.	Description
65004934	Console - Overhead Radio, Assembly (Vista)

**TABLE OF CONTENTS**

Assemblies .....12.2

Blades .....12.6

Specialty 5 Series Electric Assembly .....12.8

Specialty Air Assembly .....12.10

Strobe Retrofit Kit .....12.12

Transpec Stop Arm Assembly .....12.13

Transpec L.E.D. Stop Arm Assembly .....12.14

Drive Mechanism .....12.15

Air, L.E.D. Stop Arm Assembly .....12.17

Electric, Two-Light Stop Arm Assembly .....12.18

Air Valve & Regulator Assemblies .....12.19

Air, Two-Light Stop Arm Assembly .....12.21

# STOP SIGN

## Assemblies

Part No.	Description
65005116	Sign - Stop, Air, 18" Octagon, Painted Red, W/ White Letters, 1/2" White Border, Flashing Lights (2400)
65005117	Sign - Stop, Air, 18" Octagon, Painted Red, W/ White Letters, 1/2" White Border, Strobe Lights (2460)
65005118	Sign - Stop, Air, 18" Octagon, Painted Red, W/ White Letters, 1/2" White Border, Flashing Lights, Rear Mount (2401)
65005119	Sign - Stop, Air, 18" Octagon, Painted Red, W/ White Letters, 1/2" White Border, Strobe Lights, Rear Mount (2461)
65005120	Sign - Stop, Air 18" Octagon Painted Red W/ 8" White Letters, 1/2" White Border, Flashing Lights (2408)
65005121	Sign - Stop, Air 18" Octagon Painted Red W/ 8" White Letters, 1/2" White Border, Strobe Lights (2468)
65005122	Sign - Stop, Air, 18" Octagon, Reflectorized, Red, W/ White Letters, 1/2" White Border, Flashing Lights (2500-1)
65005123	Sign - Stop, Air, 18" Octagon, Reflectorized, Red, W/ White Letters, 1/2" White Border, Strobe Lights (2560)
65005124	Sign - Stop, Air, 18" Octagon, Reflectorized, Red, W/ White Letters, 1/2" White Border, Flashing Lights, Rear Mount (2501)
65005125	Sign - Stop, Air, 18" Octagon, Reflectorized, Red, W/ White Letters, 1/2" White Border, Strobe Lights, Rear Mount (2561)
65005126	Sign - Stop, Air, 18" Octagon High Intensity Scotch-Lite, Red W/ White Letters, 1/2" White Border (2800-1)
65005127	Sign - Stop, Air, 18" Octagon, High Intensity Scotch-Lite, Red, W/ White Letters, 1/2" White Border, Flashing Lights (2900-1)
65005128	Sign - Stop, Air, 18" Octagon, High Intensity Scotch-Lite, Red, W/ White Letters, 1/2" White Border, Strobe Lights, (2960)
65006533	Sign - Stop, Air, (Alto) 18" Octagon, Painted Red, Flashing Lights, (Mexico) (2405)
65006917	Sign - Stop, Air, 18" Octagon, Red, High Intensity, Scotch-Lite, Flashing Lights, Rear Mount (2901)
65006940	Sign - Stop, Air, 18" Octagon, Painted Red, Flashing Lights (French/Canada) (2404)
65006941	Sign - Stop, Air, 18" Octagon Red Reflectorized, Flashing Lights (French/Canada)
65006942	Sign - Stop, Air, 18" Octagon, Painted Red, Strobe Lights (French/Canada) (2464)
65006943	Sign - Stop, Air, 18" Octagon Red Reflectorized, Strobe Lights (French/Canada) (2564)
65007751	Sign - Stop, Air, 18". Octagon, Diamond Grade Reflectorized Flashing Lights (Specialty Manufacturing) (2300)
65007752	Sign - Stop, Air, 18" Octagon, Diamond Grade Reflectorized Strobe Lights (Specialty 2360)
65008103	Sign - Stop, Air, L.E.D., 18" Octagonal Blade (Specialty Manufacturing) (2200)
65008144	Sign - Stop, Air, 18" Octagonal Blade (Specialty 2961) Rear
65008145	Sign - Stop, Air, 18" Octagonal Blade (Specialty 5961)
65011132	Sign - Stop, Air, L.E.D., 18" Octagon, Rear
65011569	Sign - Stop, Air, L.E.D., 18" Octagon Blade, Diamond Grade Reflectorized

## Assemblies

Part No.	Description
65011570	Sign - Stop, Air, L.E.D., 18" Octagon Blade, Diamond Grade Reflectorized, Rear Only
65011733	Sign - Stop, Air, Front W/ 90° Elbow, 18" Reflective Octagon, L.E.D. Lights
65011734	Sign - Stop, Air, Front, W/ 90° Elbow, 18" Diamond Grade Octagon, L.E.D. Lights
65011735	Sign - Stop, Air, Front, W/ 90° Elbow, 18" Painted Octagon Sign Incandescent Lights
65011736	Sign - Stop, Air, Front, W/ 90° Elbow, 18" Painted Octagon Sign Strobe Lights
65011737	Sign - Stop, Air, Front W/ 90° Elbow, 18" Reflective Octagon Sign, Incandescent Lights
65011738	Sign - Stop, Air, Front, W/ 90° Elbow, 18" Reflective Octagon Sign, Strobe Lights
65011739	Sign - Stop, Air, Front, W/ 90° Elbow, 18" Hi-Intensity, Octagon Sign, Incandescent Lights
65011740	Sign - Stop, Air, Front W/ 90° Elbow, 18" Hi-Intensity Octagon Sign, Strobe Lights
65011908	Sign - Stop, Air, W/90° Elbow, 18" Painted Octagon Sign Flashing Lights
65011909	Sign - Stop, Air, W/90° Elbow, 18" Painted Octagon Sign, Strobe Lights
65011910	Sign - Stop, Air, W/90° Elbow, 18" Reflective Octagon Sign, No Lights
65011911	Sign - Stop (Alto), Air, 18" Painted Octagon Sign, Incandescent Flashing Red Lights
65011912	Sign - Stop, Air W/90° Elbow, 18" Reflective Octagon Sign, Incandescent Flashing Red Lights
65011913	Sign - Stop, Air W/90° Elbow, 18" Diamond Octagon Sign, Incandescent Flashing Red Lights
65011914	Sign - Stop, Air W/90° Elbow, 18" Diamond Octagon Sign, Strobe Lights
65011925	Sign - Stop, Air W/90° Elbow, 18" Painted Octagon Sign, Incandescent Flashing Red Lights
65012186	Sign - Stop, Air, W/90° Elbow, 18" Hi- Intensity Octagon Blade, L.E.D. Cluster Lights
65012187	Sign - Stop, Air, W/45° Elbow, Rear, 18" Red High-Intensity Octagon Blade, L.E.D., Cluster Lights
65012190	Sign - Stop, Air, W/90° Elbow, 18" Hi- Intensity Octagon Blade, L.E.D. Strobe Lights
65012191	Sign - Stop, Air, W/45° Elbow, 18" Hi- Intensity Octagon Blade, L.E.D. Strobe Lights
85651807	Sign - Stop, Air, L.E.D.
85651808	Sign - Stop, Air, L.E.D., Diamond Grade

# STOP SIGN

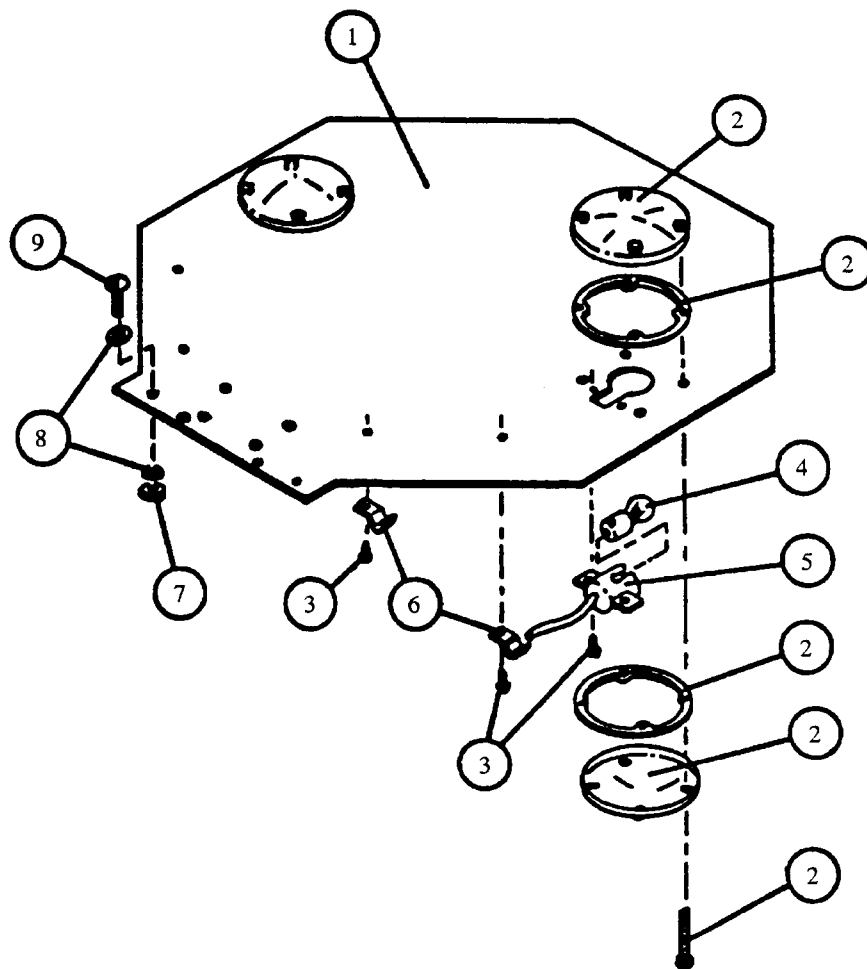
## Assemblies

Part No.	Description
65005103	Sign - Stop, Electric, 18" Octagon, Painted Red W/ White Letters, 1/2" White Border, Flashing Lights (5400)
65005104	Sign - Stop, Electric, 18" Octagon, Painted Red W/ White Letters, 1/2" White Border, Strobe Lights (5460)
65005105	Sign - Stop, Electric, 18" Octagon, Painted Red W/ White Letters, 1/2" White Border, Flashing Lights Rear Mount (5401)
65005106	Sign - Stop, Electric, 18" Octagon, Painted Red W/ White Letters, 1/2" White Border, Strobe Lights Rear Mount (5461)
65005107	Sign - Stop, Electric, 18" Octagon, Painted Red W/ White Letters, 1/2" White Border, Flashing Lights (5408)
65005108	Sign - Stop, Electric, 18" Octagon, Painted Red W/ White Letters, 1/2" White Border, Strobe Lights (5468)
65005109	Sign - Stop, Electric, 18" Octagon, Reflectorized Red W/ White Letters, 1/2" White Border, Flashing Lights (5500)
65005110	Sign - Stop, Electric, 18" Octagon, Reflectorized Red W/ White Letters, 1/2" White Border, Strobe Lights (5560)
65005111	Sign - Stop, Electric, 18" Octagon, Reflectorized Red W/ White Letters, 1/2" White Border, Flashing Lights Rear Mount (5501)
65005112	Sign - Stop, Electric, 18" Octagon, Reflectorized Red W/ White Letters, 1/2" White Border, Strobe Lights Rear Mount (5561)
65005113	Sign - Stop, Electric, 18" Octagon, High Intensity Scotch-Lite, Red W/ White Letter, 1/2" White Borders (5800)
65005114	Sign - Stop, Electric, 18" Octagon, High Intensity Scotch-Lite, Red W/ White Letter, 1/2" White Borders Flashing Lights (5900)
65005115	Sign - Stop, Electric, 18" Octagon, High Intensity Scotch-Lite, Red W/ White Letter, 1/2" White Borders Strobe Lights (5960)
65005297	Sign - Stop, Electric, 18" Octagon, High Intensity Scotch-Lite, Red W/ White Letter, 1/2" White Borders Flashing Light Rear Mount (5901)
65005482	Sign - Stop, Electric, 18" Octagon, Red, High Intensity, Scotch-Lite, Flashing Lights, W/ Wind Guard (6910)
65005483	Sign - Stop, Electric, 18" Octagon, Red, High Intensity, Scotch-Lite, Flashing Light, W/ Wind Guard, Rear (6990)
65006900	Sign - Stop, RS , Electric, 18" Octagon, Painted Red, Flashing Lights, (5400RS)
65006938	Sign - Stop, Electric, 18" Octagon, Red, Reflective Alternately Flashing Strobe Lights (French/Canada) (5564)
65006939	Sign - Stop, Electric, 18" Octagon, Red Reflectorized Flashing Lights (French/Canada) (5504)
65007188	Sign - Stop, Electric, 18" Octagon, Painted Red, Flashing Lights (5400-01)
65007189	Sign - Stop, Electric, 18" Octagon, Painted Red, Strobe Lights (5460-01)
65007190	Sign - Stop, Electric, 18" Octagon, Painted Red, Flashing Lights, Rear Mount (5401-01)
65007191	Sign - Stop, Electric, 18" Octagon, Painted Red, Strobe Lights, Rear Mount (5461-01)
65007192	Sign - Stop, Electric, 18" Octagon, Painted Red, White Letters, Flashing Light (5408-01)
65007193	Sign - Stop, Electric, 18" Octagon, Painted Red, W/ 8" White Letters, Strobe Lights (5468-01)
65007194	Sign - Stop, Electric, 18" Octagon, Red, Reflectorized, Flashing Lights (5500-01)
65007195	Sign - Stop, Electric, 18" Octagon, Red, Reflectorized, Strobe Lights (5560-01)
65007197	Sign - Stop, Electric, 18" Octagon, Red, Reflectorized, Flashing Lights, Rear Mount (5501-01)
65007199	Sign - Stop, Electric, 18" Octagon, Red, Reflectorized, Strobe Lights, Rear Mount (5561-01)

## Assemblies

Part No.	Description
65007200	Sign - Stop, Electric, 18" Octagon, Red, High Intensity, Scotch-Lite (5800-01)
65007201	Sign - Stop, Electric, 18" Octagon, Red, High Intensity, Scotch-Lite, Flashing Lights (5900-01)
65007202	Sign - Stop, Electric, 18" Octagon, Red, High Intensity, Scotch-Lite, Strobe Lights (5960-01)
65007203	Sign - Stop, Electric, 18" Octagon, Red, High Intensity, Scotch-Lite, Flashing, Rear (5901-01)
65007204	Sign - Stop, Electric, 18" Octagon, Painted Red, Flashing Lights, Right Side (5400RS-01)
65007236	Stop - Arm, Electric, 18" Blade W/ L.E.D.'s
65007390	Stop - Arm, Electric, L.E.D.'s on Back Side Only, Rear Mount
65007487	Stop - Arm, Electric, 2 Red Flashing Lights
65007749	Sign - Stop, Electric, 18", Octagon, Diamond Grade Reflectorized Flashing Lights (Specialty 5300)
65007750	Sign - Stop, Electric, 18", Octagon, Diamond Grade Reflectorized Strobe Lights (Specialty 5360)
65007756	Stop - Arm, Electric, W/ Two Red Lights on Back Side Only, Rear Mount
65008014	Sign - Stop, Electric, 18" Octagon, Red Reflectorized Flashing Lights, W/Heat (Canada)
65008015	Sign - Stop, Electric, 18" Octagon, Red Reflectorized Alternately Flashing Strobe Lights, W/Heat (Canada)
65008102	Sign - Stop, Electric L.E.D., 18", Octagonal Blade (Specialty 5200)
65008279	Sign - Stop Electric, L.E.D., Red W/White Borders
65009974	Sign - Stop, Electric, 18", Octagon, W/ Internal Strobe Power
65009975	Sign - Stop, Electric, 18", Octagon, W/ Internal Strobe Power
65010282	Sign - Stop, Electric, 18", Octagonal Blade
65011870	Sign - Stop, Electric, 18", Octagonal Blade
65012188	Sign - Stop, Electric, 18" Octagon Blade, Red Hi-Intensity Scotch-Lite, L.E.D. Cluster Lights
65012189	Sign - Stop, Electric, 18" Octagon Blade, Red Hi-Intensity Scotch-Lite, L.E.D. Cluster Lights, Rear
65012192	Sign - Stop, Electric, 18" Octagon Blade, Red Hi-Intensity Scotch-Lite, L.E.D. Strobe Lights
65012193	Sign - Stop, Electric, 18" Octagon Blade, Red Hi-Intensity Scotch-Lite, L.E.D. Strobe Lights, Rear
85650977	Stop - Arm, Electric, Blade, Front, Diamond Grade
85651809	Sign - Stop, Electric, L.E.D.
85651810	Sign - Stop, Electric, L.E.D., Diamond Grade

## Blades

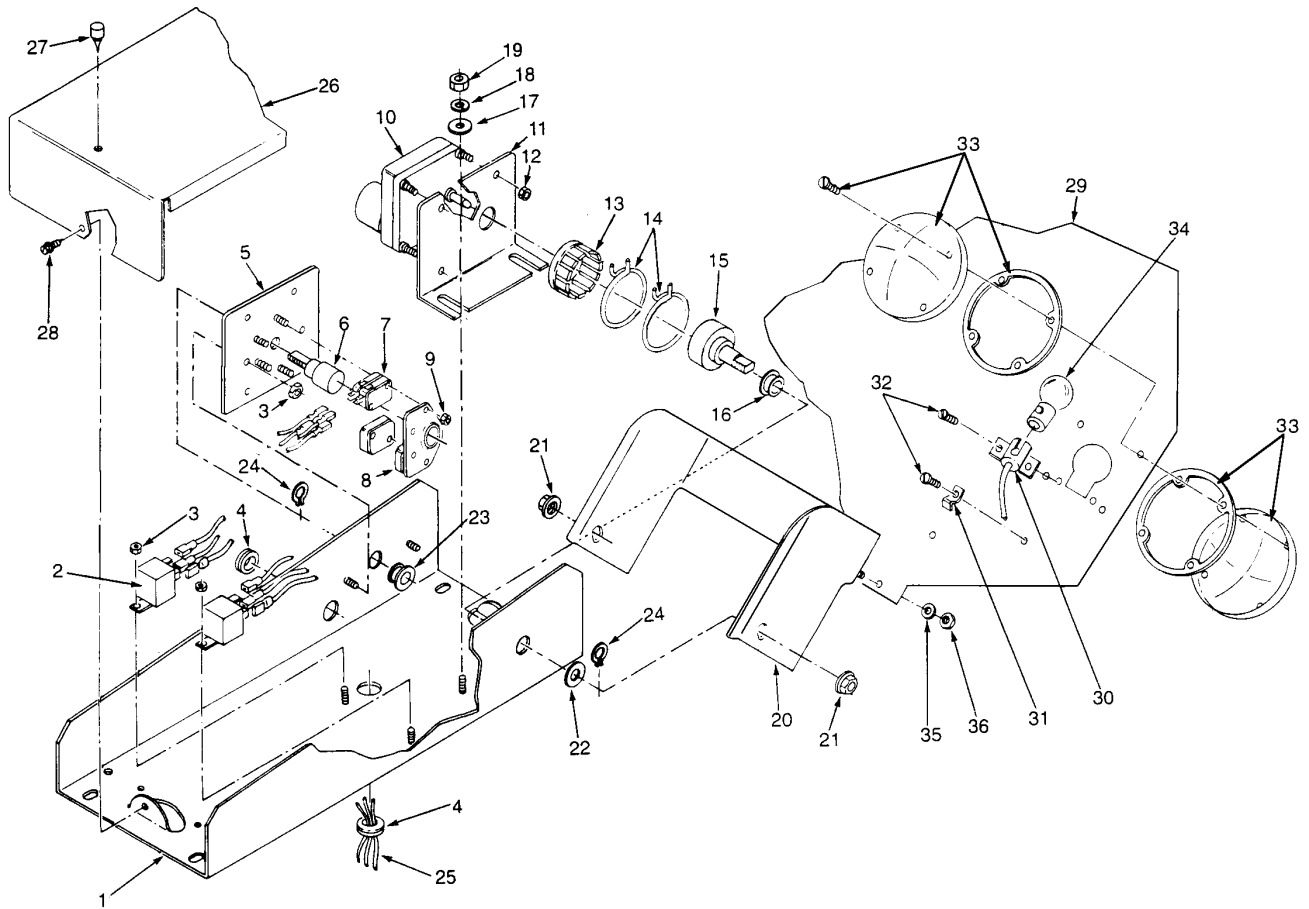




## Blades

Item No.	Part No.	Qty.	Description
1	25066367	1	Blade - Painted, W/ White Letters, Border Lights, 18" Octagon
	25163367	1	Blade - Painted, Red, W/ White Letters, Border Lights, 8" Letters
	85650206	1	Blade - Painted, W/ Holes, W/O Lights, Octagon
	85650253	1	Blade - Painted, W/ Lights, Rear Mount, Octagon
	85650255	1	Blade - Painted, W/ Holes, W/O Lights, Rear Mount, Octagon
	85650256	1	Blade - Painted, W/ Strobe Lights, Octagon
	85650257	1	Blade - Painted, W/ Strobe Lights, Rear Mount, Octagon
	85650258	1	Blade - Painted, W/ Strobe Lights, 8" Stop, Octagon
	25271372	1	Blade - Reflective, W/ Lights, Octagon
	85650259	1	Blade - Reflective, W/ Lights, Rear Mount, Octagon
	85650260	1	Blade - Reflective, W/ Lights, 8" Stop, Octagon
	85650263	1	Blade - Reflective, W/ Strobe Lights, Octagon
	85650264	1	Blade - Reflective, W/ Strobe Lights, Rear Mount, Octagon
	85650265	1	Blade - Reflective, W/ Strobe Lights, 8" Stop, Octagon
	25162367	1	Blade - Hi-Intensity, No Lights, No Holes, Octagon
	65000947	1	Blade - Hi-Intensity, W/ Lights, Octagon
	85650266	1	Blade - Hi-Intensity, W/ Lights, Rear Mount, Octagon
	85650267	1	Blade - Hi-Intensity, W/ Lights, 8" Stop, Octagon
	85650268	1	Blade - Hi-Intensity, W/ Holes, Rear Mount, Octagon
	85650269	1	Blade - Hi-Intensity, W/ Strobe Lights, Octagon
	85650270	1	Blade - Hi-Intensity, W/ Strobe Lights, Rear Mount, Octagon
	85650271	1	Blade - Hi-Intensity, W/ Strobe Lights, 8" Stop, Octagon
	85651800	1	Blade - Assembly, L.E.D.
	85651806	1	Blade - Assembly, L.E.D., Diamond Grade
	65002966	AR	Decal - Stop Arm, Reflectorized, Octagon
	85650002	1	Decal - Stop Sign, Non-Reflective, W/O Holes, Octagon
	85650254	1	Decal - Stop Sign, Non-Reflective, W/O Holes, 8" Stop, Octagon
	85650262	1	Decal - Stop Sign, Reflective, W/O Holes, 8" Stop, Octagon
	85650261	1	Decal - Stop Sign, Reflective, W/O Holes, Octagon
	65002966	1	Decal - Stop Sign, Reflective, W/ Holes, Octagon
	85650193	1	Decal - Stop Sign, Hi-Intensity, W/O Holes, Octagon
2	65002799	2	Kit - Lens, Stop Sign
3	27141370	8	Screw - Tapping, #6 x 3/8", Flat Head
4	52001236	2	Bulb - Double Contact
5	65000975	2	Socket - Lamp W/ Pigtail
6	96300199	4	Clamp - Tube
7	96300143	4	Nut - Hex, 1/4" - 20
8	96300178	8	Washer - Lock, 1/4"
9	27180018	4	Bolt - Hex, 1/4" - 20 x 5/8"

## Specialty 5 Series Electric Assembly



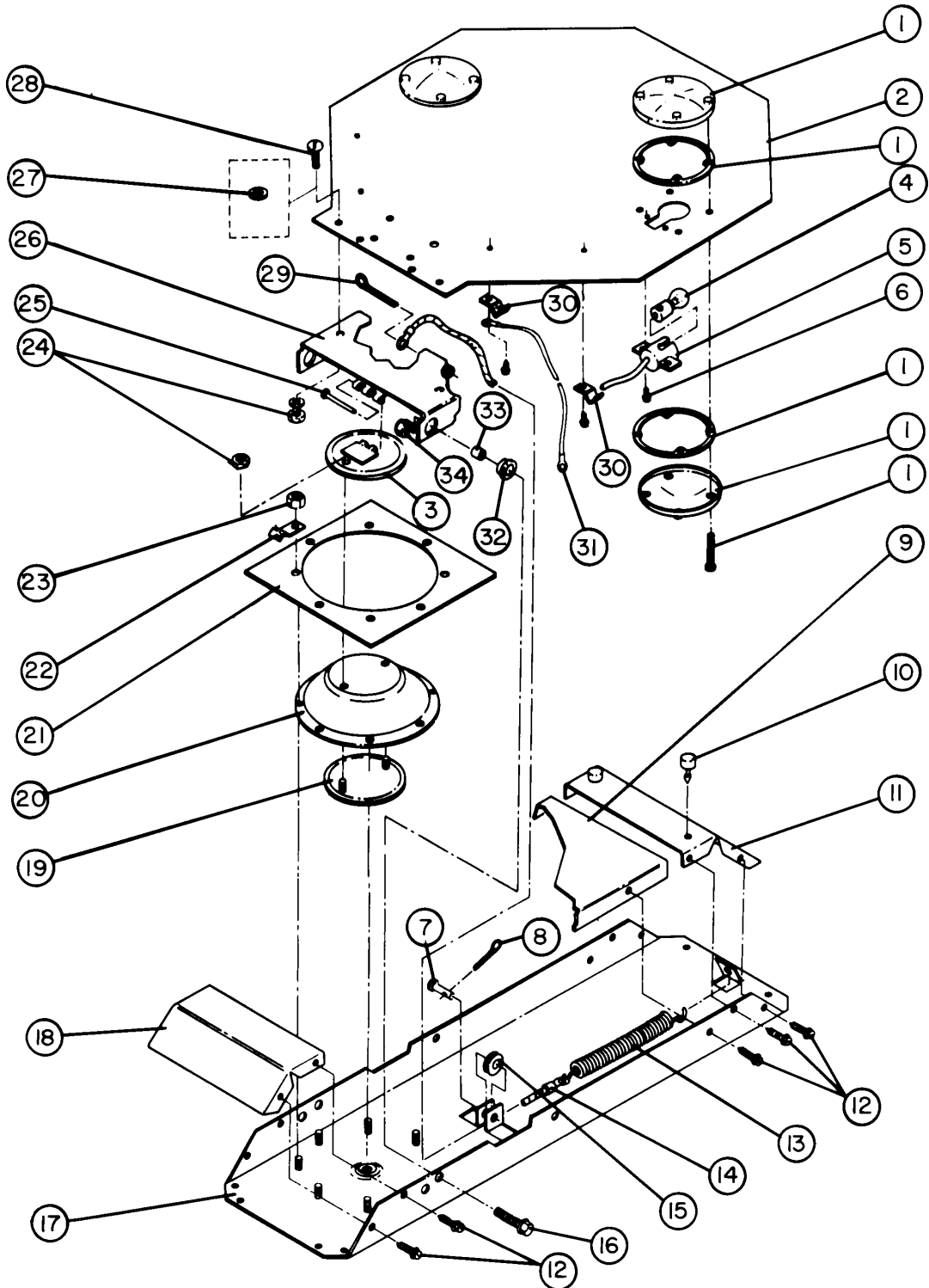
**Specialty 5 Series Electric Assembly**

Item No.	Part No.	Qty.	Description
	85650244	1	Base - Electric, Assembly, 5 Series
1	85650233	1	Base - 5 Series, Painted W/Studs
2	65000924	2	Relay
3	85650235	4	Nut - Hex, Cad, #8 - 32, Nylon Insert
4	65001405	2	Grommet
5	85650237	1	Plate - Mounting, Microswitch
6	85650405	1	Cam - Aluminum, Threaded
7	52001116	3	Microswitch
8	85650239	1	Plate - Positioner, Cam
9	85650240	4	Nut - Hex, Lock, #4 - 40, Nylon Insert
10	85650241	1	Motor - 5 Series
11	85650242	1	Bracket - Motor
12	85650222	4	Nut - Hex, Lock, #10 - 32, Nylon Insert
13	85650229	1	Clutch - Plastic
14	85650227	2	Clamp - Clip, #30 Roto
15	85650228	1	Clutch - Slip, Aluminum
16	85651187	1	Bushing - Nylon
17	85651188	2	Washer - Flat, 1/4"
18	85651189	2	Nut - Lock
19	96300143	6	Nut - Lock, Insert
20	85650406	1	Hinge - Painted, W/Studs
21	85650225	2	Nut - Hex, 1/2" - 20, Washer Head, Whiz Nut
22	85651191	1	Washer, Stainless Steel, 1" O.D.
23	85650231	2	Bushing - Bronze, Oil Impregnated
24	85651192	2	Ring - Snap
25	85650232	1	Harness - Wiring
26	85650224	1	Cover - Painted
27	25310365	1	Bumper - Rubber
28	85690003	2	Screw - Serrated, #10 x 1/2"
29		1	Blade (See Blades.)
30	96300189	1	Socket & Pigtail
31	85650221	4	Clamp - Tube, Molded Plastic
32	27141370	8	Screw - Tapping, #6 x 3/8", Flat Head
33	65002799	2	Kit - Lens, Red, Assembly
34	52001236	2	Bulb - Double Contact
35	65000916	4	Washer - Flat, 1/4", Nylon
36	85651190	4	Nut - Lock, Nylon

**Not Shown:**

25029378	1	Windguard
85651193	1	Socket & Pigtail

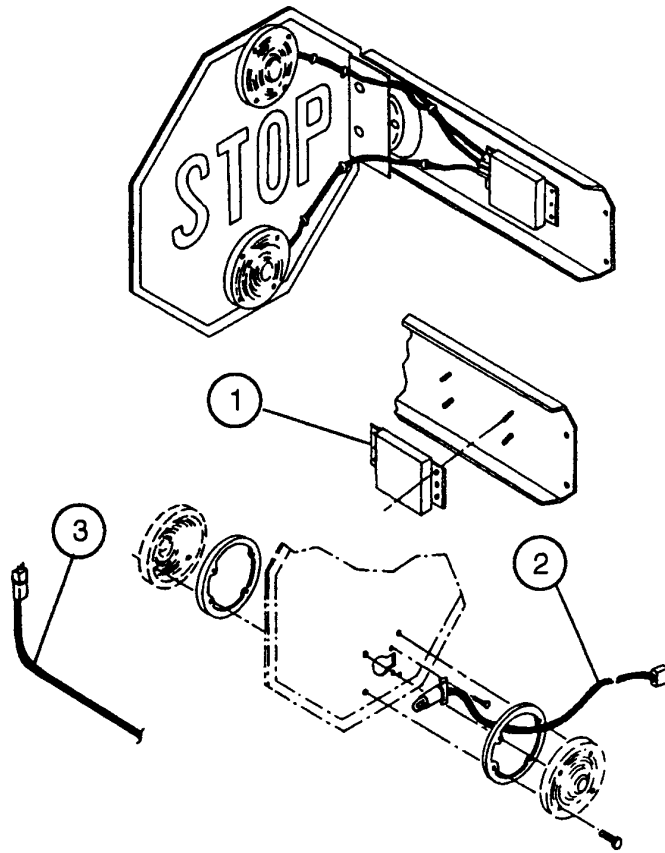
## Specialty Air Assembly



## Specialty Air Assembly

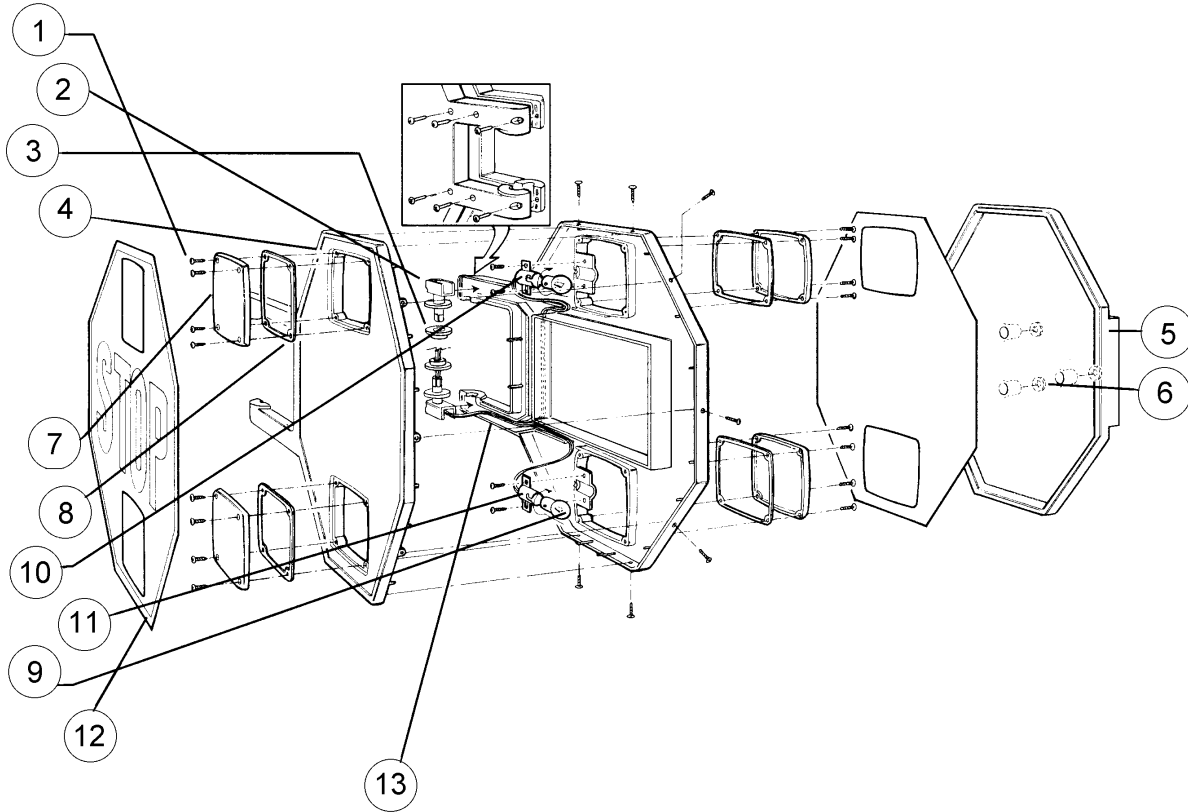
Item No.	Part No.	Qty.	Description
	85650436	1	Base - Air, Assembly, Stop Sign, Complete (No blade)
1	65002799	1	Kit - Lens, Stop Sign (Includes lens, gasket & screws.)
2		1	Blade - Stop Sign, 18" (See Blades.)
3	25309365	1	Plate - Diaphragm, Outer
4	52001236	2	Bulb - Double Contact
5	65000975	2	Socket - Lamp, W/ Pigtail
6	27141370	8	Screw - Tapping, #6 x 3/8", Flat Head
7	65000964	1	Pin - Clevis, 1/4" x 3/4"
8	65000963	1	Pin - Cotter, 1/16" x 1 1/2"
9	65000966	1	Pan - Air
10	25310365	2	Bumper - Rubber
11	25306365	1	Plate - Cover, Rear End
12	85690003	14	Screw - Tapping, Serrated, #10 - 1/2"
13	65000969	1	Spring - Cable, Return
14	65000967	1	Assembly - Cable, Return
15	65000968	1	Pulley - Nylon
16	96300174	2	Bolt, 1/4" - 20 x 3/4"
17	85650080	1	Base - W/ Studs
18	25184365	1	Plate - Cover, Front End
19	25308365	1	Plate - Diaphragm, Inner
20	25180365	1	Diaphragm
21	65000962	1	Ring - Retaining, Diaphragm
22	96300136	1	Clamp - Tube
23	96300111	8	Nut - Hex, #10 - 32
24	96300143	6	Nut - Hex, 1/4" - 20
25	25182365	1	Pin - Hinge
26	96302167	1	Bracket - Hinge Plate
27	65000916	4	Washer - Nylon, 1/4"
28	27180016	4	Bolt, 1/4" - 20 x 1/2", Hex Head
29	85650013	1	Pin - Cotter, 1/8" x 2 1/2"
30	96300199	4	Clamp - Tube
31	96300183	1	Strap - Ground W/ Lugs
32	25178365	2	Bearing - Outer
33	25045368	2	Bearing - Inner
34	29940006	2	Nut - Hex, Nylon Lock, 1/4" - 20

## Strobe Retrofit Kit



Item No.	Part No.	Qty.	Description
1	52000551	1	Pack - Power, Strobe Light, Single Pulse
	85520117	1	Power - Supply, Double Pulse
2	52000550	2	Light - Strobe, W/ Cable Assembly
3	85520065	1	Cable - Input Supply, Power Pack

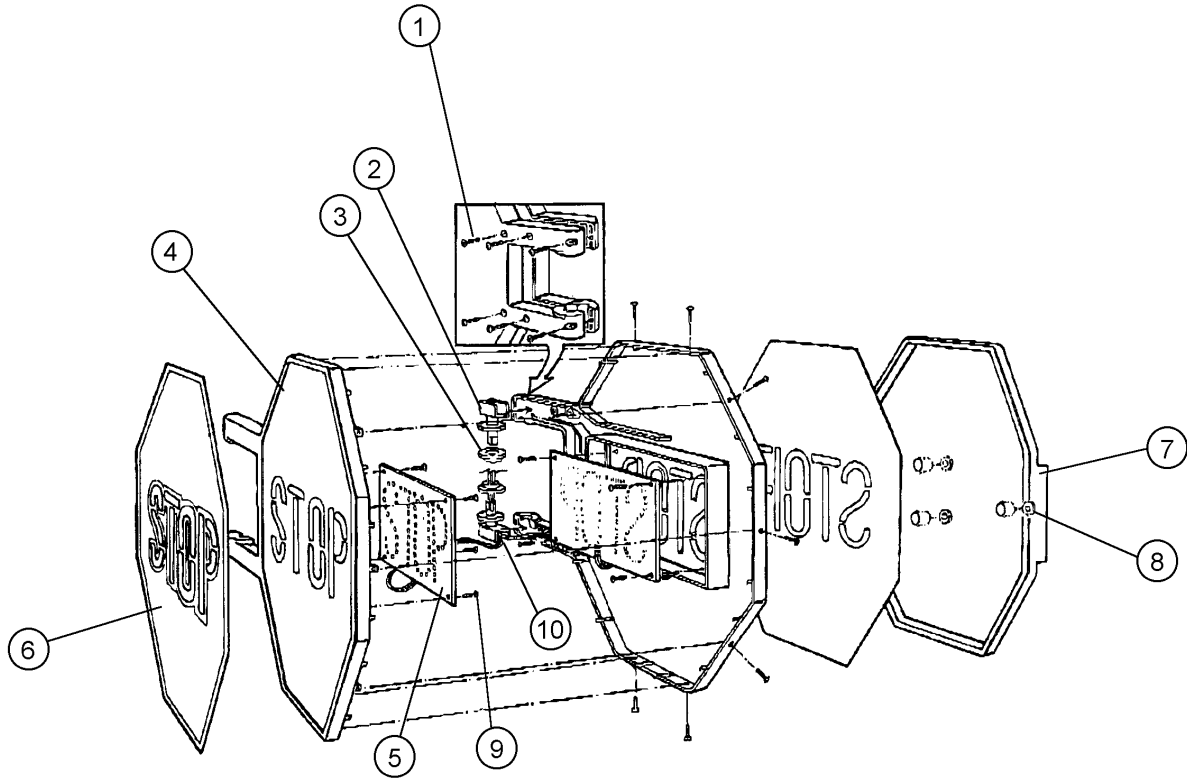
**Transpec Stop Arm Assembly**



Item No.	Part No.	Qty.	Description
	65007487	1	Stop - Arm, Electric, Front
	65007756	1	Stop - Arm, Assembly, Rear
	85650977	1	Stop - Arm, Blade, Front, Diamond Grade
1	85651077	24	Screws - Special
2	85651078	2	Arm - Drive
3	85651079	2	Bushing - Bronze
4	85651787	1	Blade - Assembly, 2-Light
	85651788	1	Blade - Assembly, 2-Light, Diamond Grade
5	85651086	2	Bezel - Trim
6	85651087	1	Gasket - Trim, Bezel
7	85651789	4	Lens
8	85651790	4	Gasket
9	85651791	2	Bulbs
10	85651792	1	Socket - Bulb
11	85651793	1	Socket - Bulb (Short)
12	85651794	2	Decal
	85651795	2	Decal, Diamond Grade
13	85651108	1	Harness - Assembly, Light Wire

# STOP SIGN

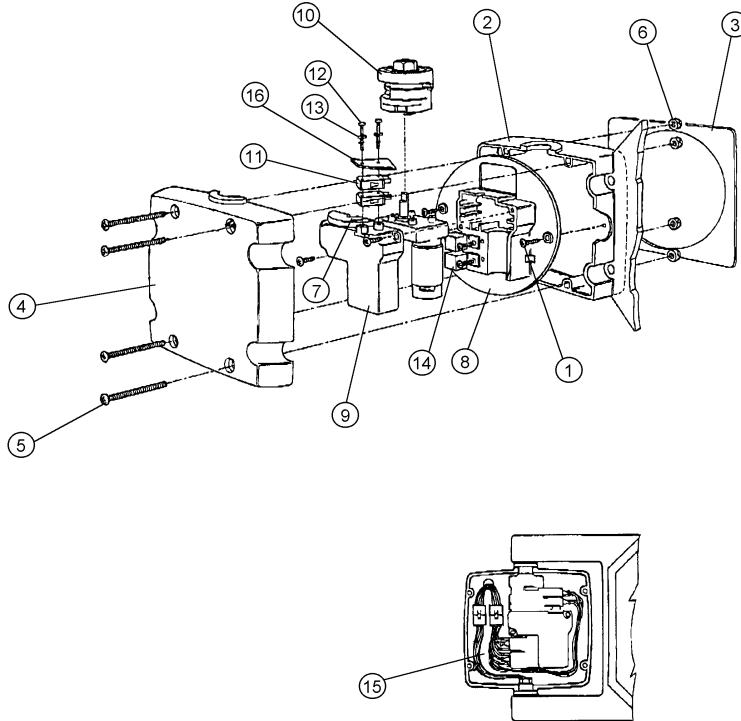
## Transpec L.E.D. Stop Arm Assembly



Item No.	Part No.	Qty.	Description	Notes
	65007236	1	Arm - Stop, 18" Blank W/ L.E.D., Assembly, Front Mount	B2942-71-E31
	65007390	1	Arm - Stop, 18" Blank W/ L.E.D., Assembly, Rear Mount	B2947-71-E31
1	85651077	AR	Screw - Special	
2	85651078	2	Drive - Arm	
3	85651079	3	Bushing - Bronze	
4	85651110	1	Blade - Assembly, L.E.D.	
	85651111	1	Blade - Assembly, L.E.D., Front (Blank) (Used on assembly 65007390.)	
5	85651083	2	Board - Circuit	
6	85651084	2	Decal - Diamond Grade (English)	
	85651085	1	Decal - Red (Blank) (Used on assembly 65007390.)	
7	85651086	1	Guard - Wind	
8	85651087	1	Gasket - Wind Guard	
9	85651088	AR	Screw - Circuit Board	
10	85651108	1	Harness - Assembly, Light Wire	



**Drive Mechanism**



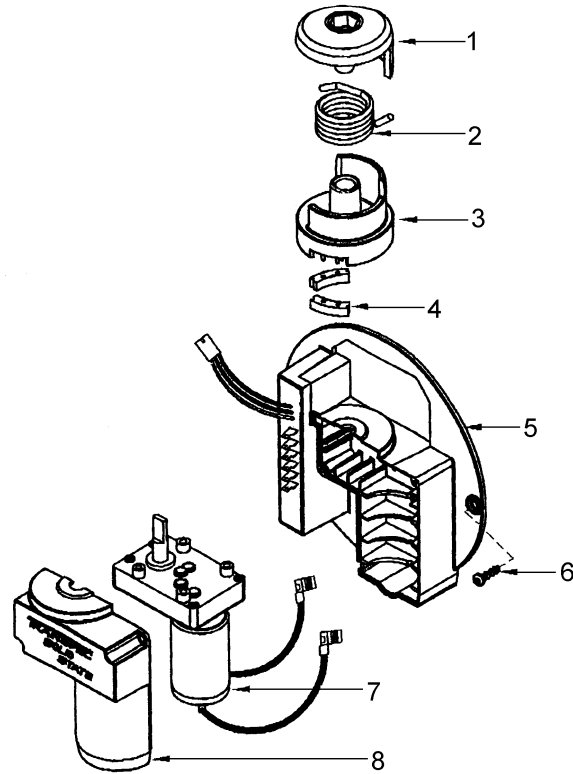
Item No.	Part No.	Qty.	Description
1	85651077	AR	Screw - Special
2	85651089	1	Base - Mechanism
3	85651090	1	Gasket - Base Mechanism
4	85651091	1	Cover - Mechanism Base
5	85651092	4	Screw - Cover, Motor Mechanism
6	85651093	4	Nut - Lock, Motor Mechanism Base
7	85651094	1	Drive - Motor
8	85651095	1	Cradle - Motor
9	85651096	1	Cover - Cradle, Motor
10	85651796	1	Clutch - Assembly
11	85651098	2	Switch - Micro
12	85651099	2	Screw - Machine
13	85651100	2	Washer - Lock
14	85651101	2	Relay - Electrical
15	85651102	1	Harness - Wire, Drive
16	85651109	1	Plate - Cover, Switch

**Not Shown:**

85651797		Motor - Cradle, Assembly
----------	--	--------------------------

Drive Mechanism may be used W/ Assemblies 65007487, 65007756, 85650977, 65007236 & 65007390

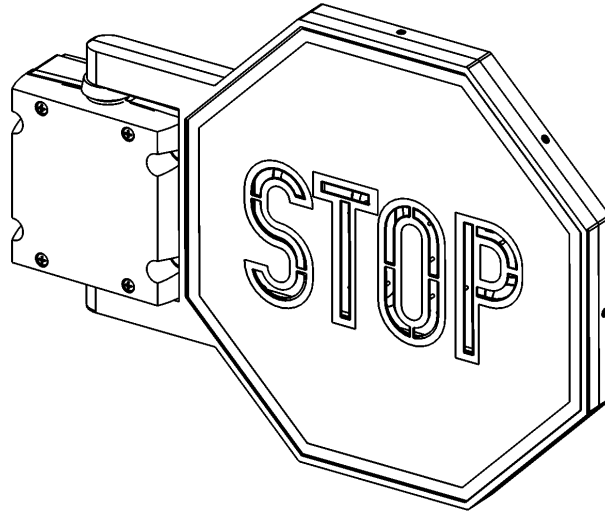
## Drive Mechanism - Transpec (W/ New Clutch)



Used on 65007236

Item No.	Part No.	Qty.	Description
1	SMA 4071	1	Driver
2	SMA 4092	1	Spring - Coil Clutch
3	SMA 4101	1	Clutch
4	SMA 4105	2	Magnet - Clutch
5	SMA 4051	1	Motor Cradle - Bottom
6	SMA 2100-B	4	Screw, Black
7	SMA 4040	1	Motor - Drive
8	SMA 4061	1	Motor Cradle - Cover

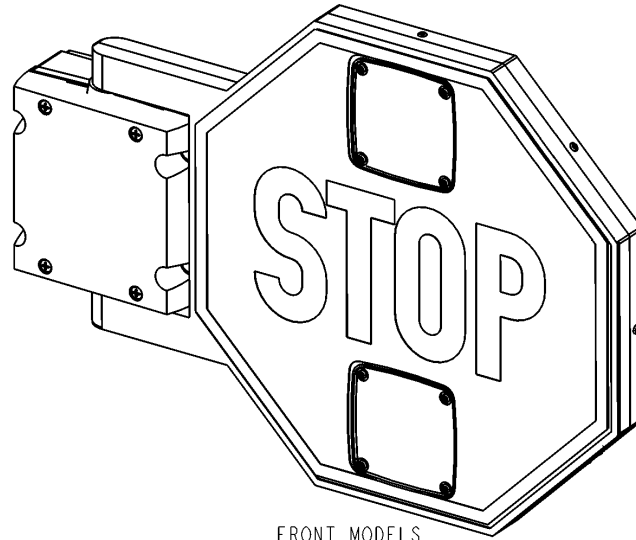
## Air, L.E.D. Stop Arm Assembly



FRONT MODELS

Part No.	Description
105163	Stop Arm Assembly, Air, L.E.D., Diamond Grade, Front
105164	Stop Arm Assembly, Air, L.E.D., Diamond Grade, Rear

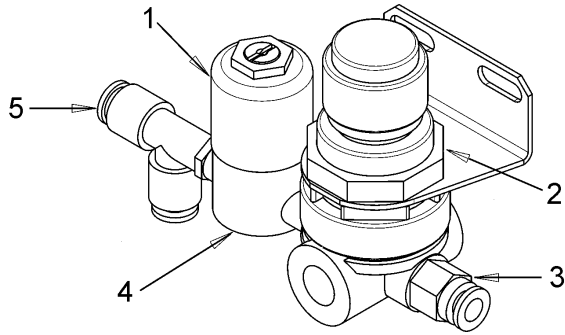
## Electric, Two-Light Stop Arm Assembly



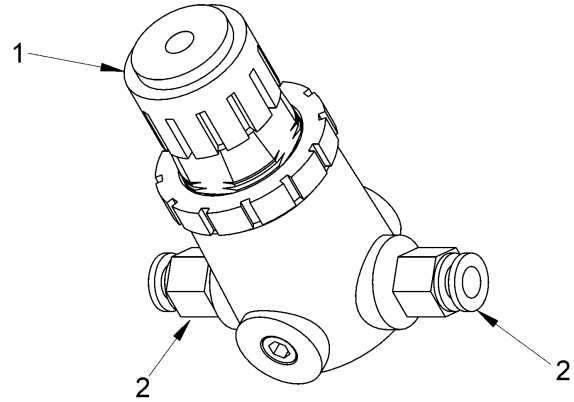
FRONT MODELS

Part No.	Description
105096	Stop Arm - Electric, Two Light Incandescent, Non Reflective, Front
105097	Stop Arm - Electric, Two Light Incandescent, Engineering Grade Reflective, Front
105098	Stop Arm - Electric, Two Light Incandescent, Diamond Grade Reflective, Front
105108	Stop Arm - Electric, Two Light Incandescent, Non Reflective, Rear
105109	Stop Arm - Electric, Two Light Incandescent, Engineering Grade Reflective, Rear
105110	Stop Arm - Electric, Two Light Incandescent, Diamond Grade Reflective, Rear
115505	Stop Arm - Electric, Two Light Incandescent, Non Reflective, Front (French)
116399	Stop Arm - Electric, Two Light Incandescent, Non Reflective, Rear (French)
116401	Stop Arm - Electric, Two Light Incandescent, Engineering Grade Reflective, Front (French)
116403	Stop Arm - Electric, Two Light Incandescent, Engineering Grade Reflective, Rear (French)
116405	Stop Arm - Electric, Two Light Incandescent, Diamond Grade Reflective, Front (French)
116408	Stop Arm - Electric, Two Light Incandescent, Diamond Grade Reflective, Rear (French)
105112	Stop Arm - Electric, Two Light Strobe, Non Reflective, Front
105114	Stop Arm - Electric, Two Light Strobe, Non Reflective, Rear
105115	Stop Arm - Electric, Two Light Strobe, Engineering Grade Reflective, Front
105116	Stop Arm - Electric, Two Light Strobe, Engineering Grade Reflective, Rear
105117	Stop Arm - Electric, Two Light Strobe, Diamond Grade Reflective, Front
105118	Stop Arm - Electric, Two Light Strobe, Diamond Grade Reflective, Rear
118831	Stop Arm - Electric, Two Light Strobe, Engineering Grade Reflective, Front (French)
118832	Stop Arm - Electric, Two Light Strobe, Engineering Grade Reflective, Rear (French)
118833	Stop Arm - Electric, Two Light Strobe, Diamond Grade Reflective, Rear (French)
118834	Stop Arm - Electric, Two Light Strobe, Non Reflective, Rear (French)
118836	Stop Arm - Electric, Two Light Strobe, Non Reflective, Front (French)
118837	Stop Arm - Electric, Two Light Strobe, Diamond Grade Reflective, Front (French)

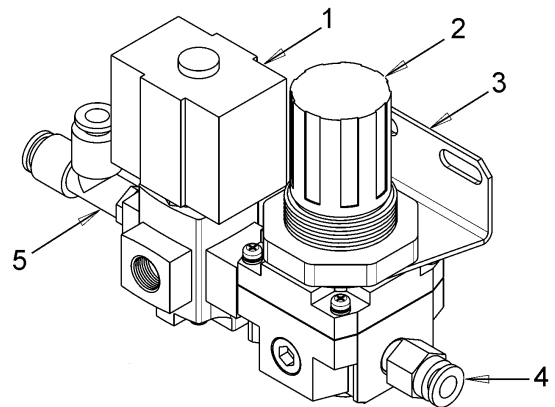
**Air Valve & Regulator Assemblies**



Item No.	Part No.	Description
	65007688	Valve And Regulator Assembly - Stop And Crossing Arms (Early - 1997)
1	85652011	Coil – Solenoid Valve, SMC, Valve & Regulator Assembly
2	85652012	Regulator - SMC Valve & Regulator Assembly
3	85652013	Fitting - Straight, Brass, With Push In Hose Fitting
4	85652010	Valve - Solenoid, W/Coil, SMC Valve Regulator Assembly
5	85652014	Fitting - Male "T", Plastic W/Two Push In Hose Fittings

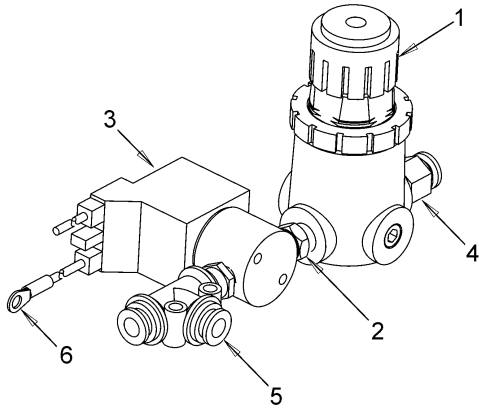


Item No.	Part No.	Description
1	65010964	Air Regulator
2	67000698	Male Connector

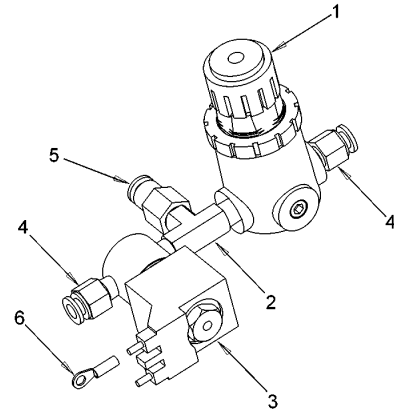


Item No.	Part No.	Description
	65007688	Valve And Regulator Assembly - Stop And Crossing Arms (Late 1997)
1	SMC VX3124 01N 6G	Solenoid Valve W/Coil
	SMC VX021 001GB 06	Coil - Solenoid Valve
2	86552012	Regulator (SMC NAR2000 N01)
3	TBB 65011129	Bracket - Regulator ( SMC B220)
4	85652013	Fitting - Straight, Brass, With Push In Hose Fitting
5	85652014	Fitting - Male "T", Plastic W/Two Push In Hose Fittings

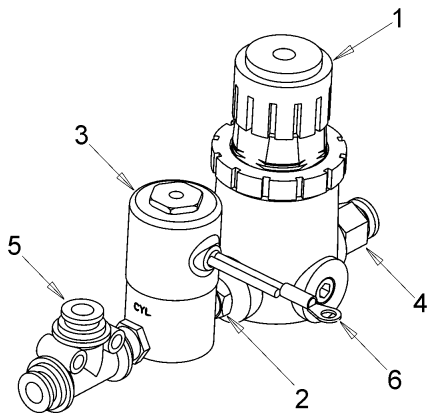
## Air Valve & Regulator Assemblies



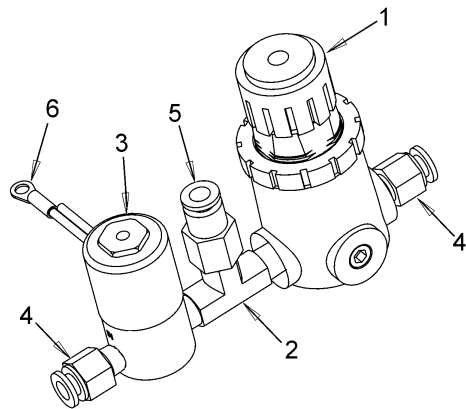
Item No.	Part No.	Description
1	65010964	Air Regulator
2	67000697	Close Nipple
3	65010963	Solenoid - Valve Dual Port, Normally Close, W/Exhaust Port
4	67000698	Male Connector
5	67000699	Male Run Tee - Swivel
6	52005794	Ring Terminal, #8 Stud



Item No.	Part No.	Description
1	65010964	Air Regulator
2	67000705	Male Pipe Tee
3	65010963	Solenoid - Valve Dual Port, Normally Close, W/Exhaust Port
4	67000698	Male Connector
5	67000706	Female Connector
6	52005794	Ring Terminal, #8 Stud

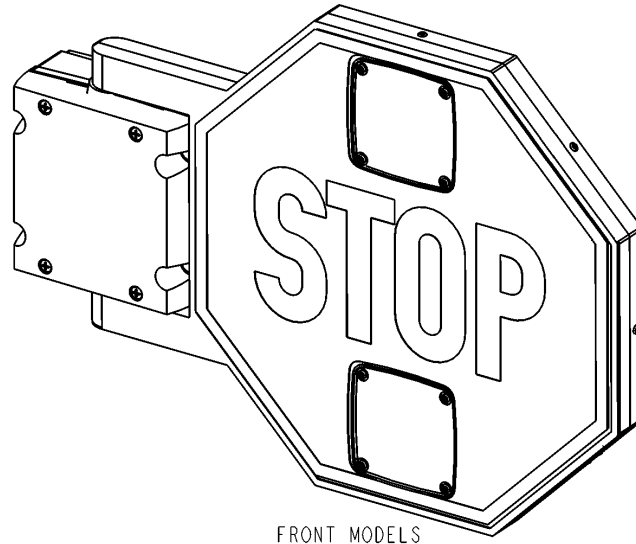


Item No.	Part No.	Description
1	65010964	Air Regulator
2	67000697	Close Nipple
3	65011828	Solenoid - Valve Dual Port, Normally Close, W/Exhaust Port
4	67000698	Male Connector
5	67000699	Male Run Tee - Swivel
6	52005794	Ring Terminal, #8 Stud



Item No.	Part No.	Description
1	65010964	Air Regulator
2	67000705	Male Pipe Tee
3	65011828	Solenoid - Valve Dual Port, Normally Close, W/Exhaust Port
4	67000698	Male Connector
5	67000706	Female Connector
6	52005794	Ring Terminal, #8 Stud

## Air, Two-Light Stop Arm Assembly



FRONT MODELS

Part No.	Description
105146	Stop Arm - Air, Two Light Incandescent, Non Reflective, Front
105147	Stop Arm - Air, Two Light Incandescent, Non Reflective, Rear
105148	Stop Arm - Air, Two Light Incandescent, Engineering Grade Reflective, Front
105149	Stop Arm - Air, Two Light Incandescent, Engineering Grade Reflective, Rear
105150	Stop Arm - Air, Two Light Incandescent, Diamond Grade Reflective, Front
105151	Stop Arm - Air, Two Light Incandescent, Diamond Grade Reflective, Rear
115986	Stop Arm - Air, Two Light Incandescent, Non Reflective, Front (French)
115988	Stop Arm - Air, Two Light Incandescent, Engineering Grade Reflective, Front (French)
115992	Stop Arm - Air, Two Light Incandescent, Diamond Grade Reflective, Front (French)
116002	Stop Arm - Air, Two Light Incandescent, Non Reflective, Rear (French)
116003	Stop Arm - Air, Two Light Incandescent, Engineering Grade Reflective, Rear (French)
116005	Stop Arm - Air, Two Light Incandescent, Diamond Grade Reflective, Rear (French)
105156	Stop Arm - Air, Two Light Strobe, Non Reflective, Front
105157	Stop Arm - Air, Two Light Strobe, Non Reflective, Rear
105158	Stop Arm - Air, Two Light Strobe, Engineering Grade Reflective, Front
105159	Stop Arm - Air, Two Light Strobe, Engineering Grade Reflective, Rear
105160	Stop Arm - Air, Two Light Strobe, Diamond Grade Reflective, Front
105161	Stop Arm - Air, Two Light Strobe, Diamond Grade Reflective, Rear
116066	Stop Arm - Air, Two Light Strobe, Non Reflective, Front (French)
116068	Stop Arm - Air, Two Light Strobe, Engineering Grade Reflective, Front (French)
116070	Stop Arm - Air, Two Light Strobe, Diamond Grade Reflective, Front (French)
116078	Stop Arm - Air, Two Light Strobe, Non Reflective, Rear (French)
116080	Stop Arm - Air, Two Light Strobe, Engineering Grade Reflective, Rear (French)
116083	Stop Arm - Air, Two Light Strobe, Diamond Grade Reflective, Rear (French)

# STOP SIGN

---

---



**TABLE OF CONTENTS**

Crossing Arm Assemblies .....13.2

Specialty, Crossing Arm .....13.3

Specialty 5-Series Electric Assembly .....13.6

Specialty 6-Series Electric Assembly .....13.8

Specialty Air Assembly .....13.10

Transpec, Drive Mechanism .....13.13

Transpec, Crossing Control Arm .....13.14

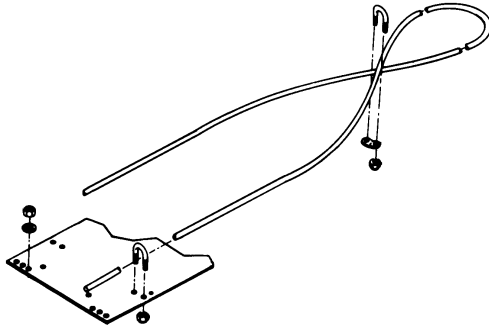
BMR, Electric 6000 Series .....13.18

Brackets, Bumper Mounting .....13.20

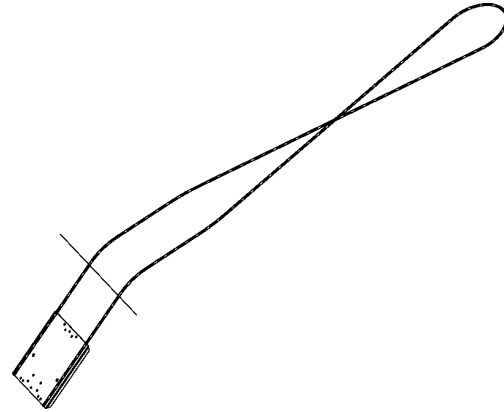
## Crossing Arm Assemblies

Part No.	Description
65007472	Gate - Crossing, Transpec, Electric
65009895	Walkgate Assembly, Transpec, Integrated
65010087	Motor Assembly, Transpec, Integrated
65009977	Walkgate Arm, Transpec, Integrated
65007869	Walkgate, Transpec, Safety Cross Double Pole, Extruded, Freightliner
65007871	Walkgate, Transpec, Safety Cross Double Pole, Extruded, Reflector Plate
65005377	Arm - Crossing, Specialty, Electric, W/O Lights (58150)
65005378	Arm - Crossing, Specialty, Electric, W/ Lights (58250G)
65007372	Arm - Crossing, Specialty, Electric, W/ Freightliner Plate (58300)
65008508	Arm - Crossing, Specialty SMC-5 Series, Electric Freightliner (68151)
65004063	Arm - Crossing, Specialty, Air Operated, W/ Light (28250G)
65006423	Arm - Crossing, Specialty, Air Operated, W/ Base (28100SC)
65007373	Arm - Crossing, Specialty, Air, W/ Freightliner Plate (28300)
65008403	Arm - Crossing, Specialty, Air Operated, Freightliner, Figure 8, W/O Light (68500)
65008510	Arm - Crossing, Specialty SMC-5 Series, Air Operated, Freightliner (68152)
65005484	Arm - Crossing, BMR, Electric, W/ Flexible Yellow Gate (68550)
65008096	Arm - Assembly, Crossing Control, Electric (BMR)
101590	Crossing Arm Kit, Polycarbonate
52007138	Kit - Electromagnetic Latch (Poly), Electric, For Crossing Arm
52007139	Kit - Electromagnetic Latch (Poly), Air, For Crossing Arm
52003828	Kit - Electromagnetic Latch, Electric, For Crossing Arm
52003829	Kit - Electromagnetic Latch, Air, For Crossing Arm

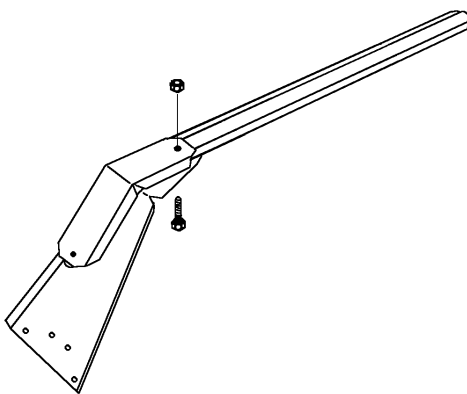
## Specialty, Crossing Arm



Part No.	Description
65005377	Crossing - Arm, Control Assembly, W/O Lights
65000970	Rod Aluminum
65000973	U-Bolt, 5/16"
65000974	Nut - Lock, #10 - 24
65001803	Plate - Clamp
85650223	Plate



Part No.	Description
65008403	Arm - Crossing, Specialty, Air Operated, Freightliner, Figure 8, W/O Light
65008347	Arm - Crossing, Electric With Standard Wire Loop Rod, Smc-6 Series
65008406	Arm - Crossing, Electric With Standard Wire Loop Rod, Smc-6 Series



Part No.	Description
85651832	Arm - Crossing, Air, Assembly, Freightliner Only

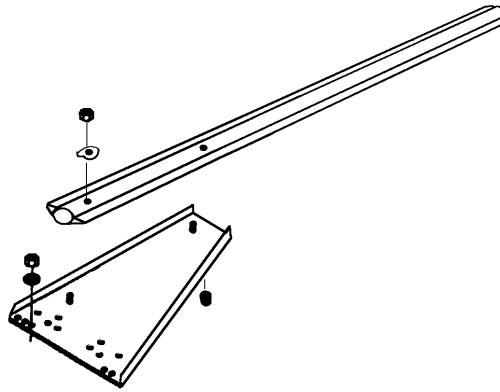


Part No.	Description
65006423	Arm - Crossing Control, Air Operated W/Base (South Carolina Blade)
65008412	Arm - Crossing Control, Air Operated, Figure 8, Freightliner, W/Directional Arrow
65009288	Arm - Crossing Control, Air Operated, W/Lights, Specialty, Freightliner
65008957	Arm - Crossing Control, Electric, W/Base W/South Carolina Blade (Arrow)
65009287	Arm - Crossing Control, Electric, W/Lights, Specialty, Freightliner
65010910	Arm - Crossing Control, Electric, W/South Carolina Blade, W/O Heating Element

## Specialty, Crossing Arm

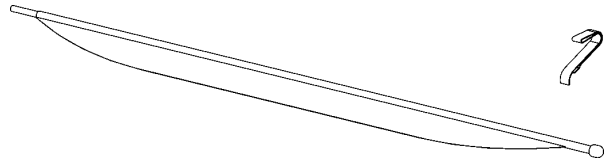
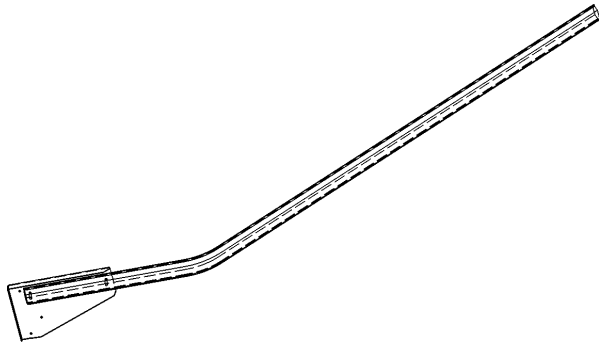


Part No.	Description
65008508	Arm - Crossing, Specialty SMC-5 Series, Electric Operated, Freightliner
65009287	Arm - Crossing, Specialty, Electric & Air Operated, W/Lights, Freightliner
65008510	Arm - Crossing, Specialty SMC-5 Series, Air Operated, Freightliner



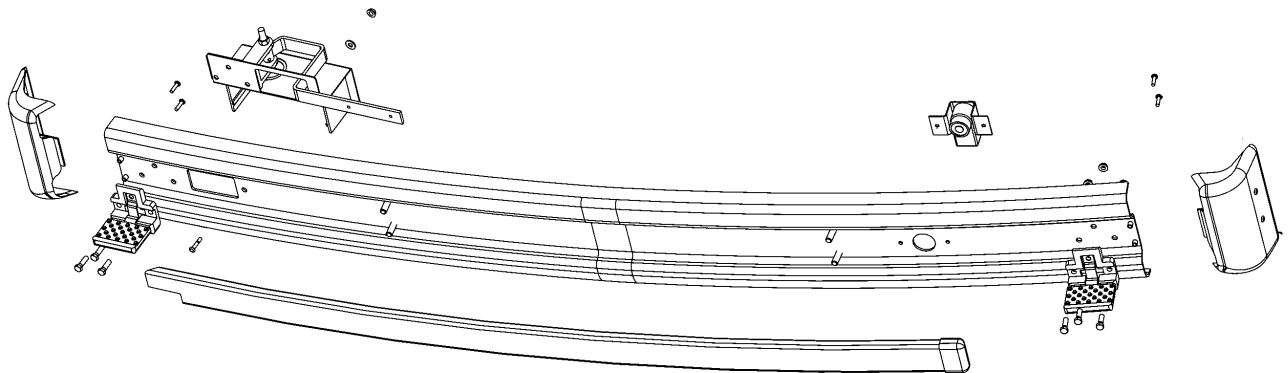
Part No.	Description
85650772	Arm - Crossing, Electric, Assembly, W/ Flexible Yellow Gate (Replaced By 65006907)
65006907	Arm - Crossing Control, Yellow, Polycarbonate Gate, Electric/Air
85651740	Arm - Crossing, Electric, Assembly, W/ Flexible Yellow Gate, Freightliner Only
85651685	Rod - Yellow
85650886	Plate - Crossing Arm
25310365	Bumper, Freightliner Only

## Specialty, Crossing Arm



Part No.	Description
65008508	Arm - Crossing, Specialty SMC-5 Series, Electric Freightliner

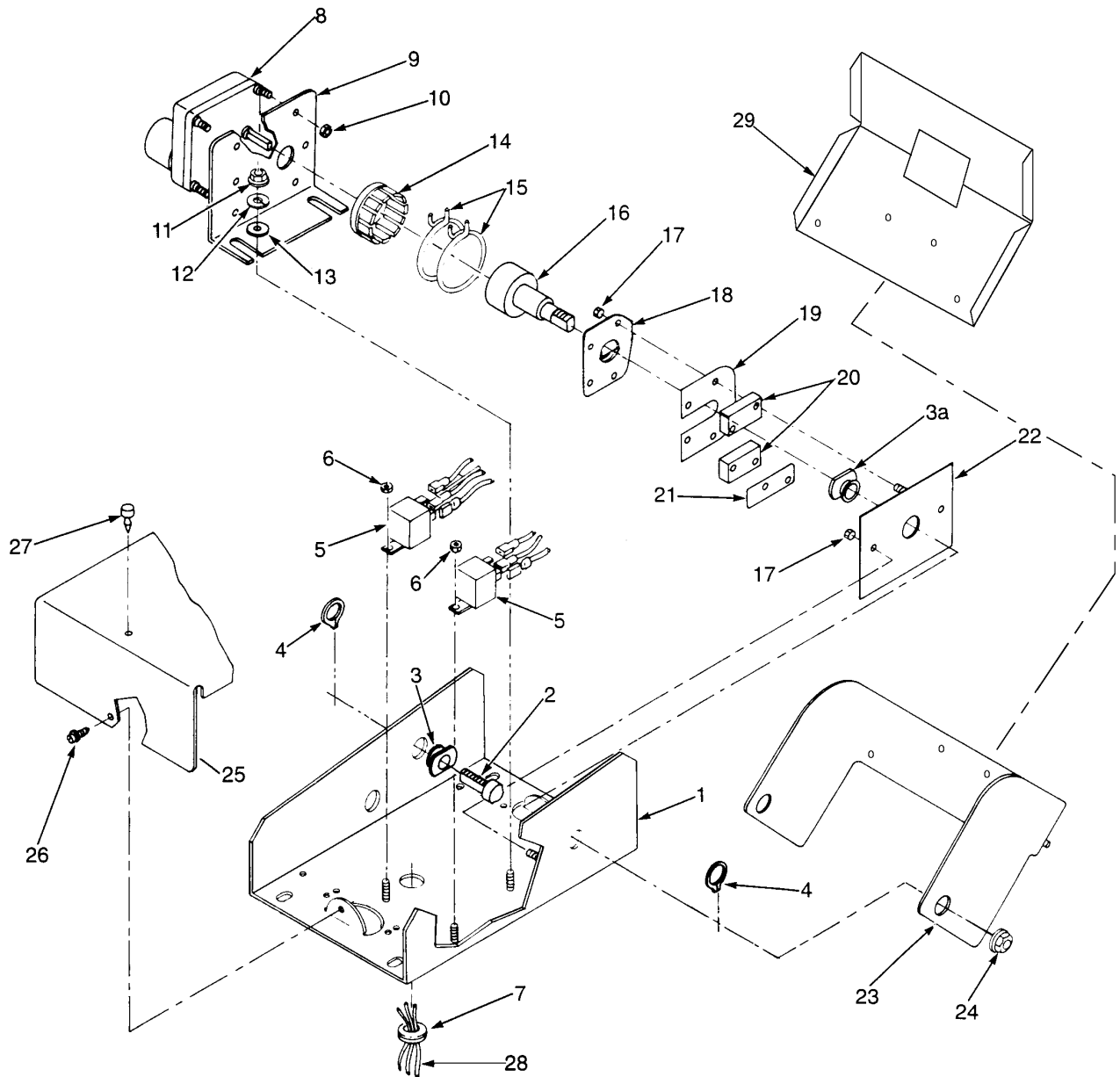
Part No.	Description
101590	Crossing Arm Kit, Polycarbonate



Part No.	Description
53005344	Bumper Assembly, Specialty Walkgate
27180124	Bolt, 3/8-16 x 1-1/4"
53003388	End Cap Assembly, RS
53003393	End Cap Assembly, LS
53005345	Bumper Assembly, Front, Welded
65008463	Step, Folding, Assembly
65010050	Motor Assembly, Specialty Walkgate
65010051	Walkgate Assembly, Specialty
65010052	Electromagnet, Specialty
69002171	1/4-20, Pan HD, Phillips HD., Zinc
69004155	Flange Nut, 3/8-16

# CROSSING ARM

## Specialty, 5-Series Electric Assembly



## Specialty, 5-Series Electric Assembly

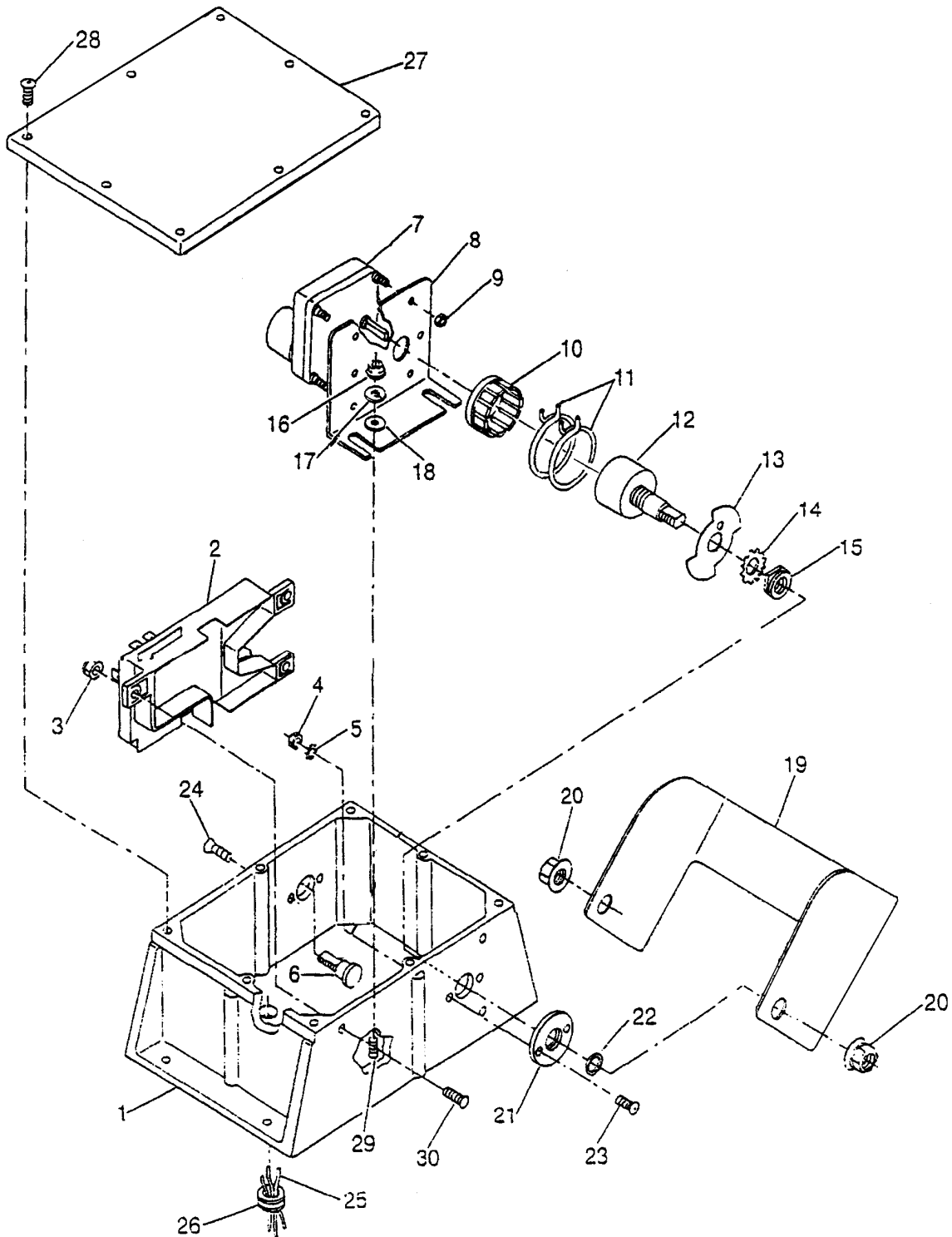
Item No.	Part No.	Qty.	Description
	65005883	1	Base - Crossing Control Arm, 5000 Series Electric (Includes Quick Disconnect & Harness)
	85651848	1	Base - Crossing Control Arm, 5000 Series Electric (Includes Quick Disconnect & Harness) Freightliner Only
1	85650403	1	Base - Painted, W/ Studs
2		1	Hinge - Pin, Inverted
3	85651187	1	Bushing, Nylon, W/ Tab
3a	85650231	2	Bushing - Bronze, Oil Impregnated
4		2	Ring - Snap
5	65000924	2	Relay
6	85650235	4	Nut - Hex, Cad, #8 - 32, Nylon Insert
7	65001405	2	Grommet
8	85650241	1	Motor - 5 Series
9	85650242	1	Bracket - Motor
10	85650222	4	Nut - Hex, Lock, #10 - 32, Nylon Insert
11	96300143	2	Nut - Lock, Insert
12	85651189	2	Washer - Lock
13	85651188	2	Washer, Flat, 1/4"
14	85650229	1	Clutch - Plastic
15	85650227	2	Clamp - Clip, #30 Roto
16	85651743	1	Cam - Clutch Driver, Threaded
17	85650240	4	Nut - Hex, Lock, #4 - 40, Nylon Insert
18		1	Plate, Flat
19	85650879	1	Heater
20	85650238	3	Microswitch
21		2	Microswitch Insulator
22		1	Plate - Mounting, Switch/Inverted
23	85650406	1	Hinge - Painted, W/ Studs
24	85650225	2	Nut - Hex, 1/2" - 20, Washer head, Whiz Nut
25	85650404	1	Cover - Painted
26	85690003	2	Screw - Serrated, #10 x 1/2"
27	25310365	1	Bumper - Rubber
28		1	Harness - Wiring, Quick-Disconnect Base
	85520165	1	Harness - Wiring, Quick-Disconnect Crossing Arm
29	85651739	1	Bracket - Adapter, Freightliner Only

### Not Shown:

85651685	1	Arm - Yellow, Plastic
65005377	1	Arm - Crossing Control, Assembly, W/O Lights
85650772	1	Arm - Crossing Control, Assembly, Yellow Polycarbonate Blade

# CROSSING ARM

## Specialty, 6-Series Electric Assembly



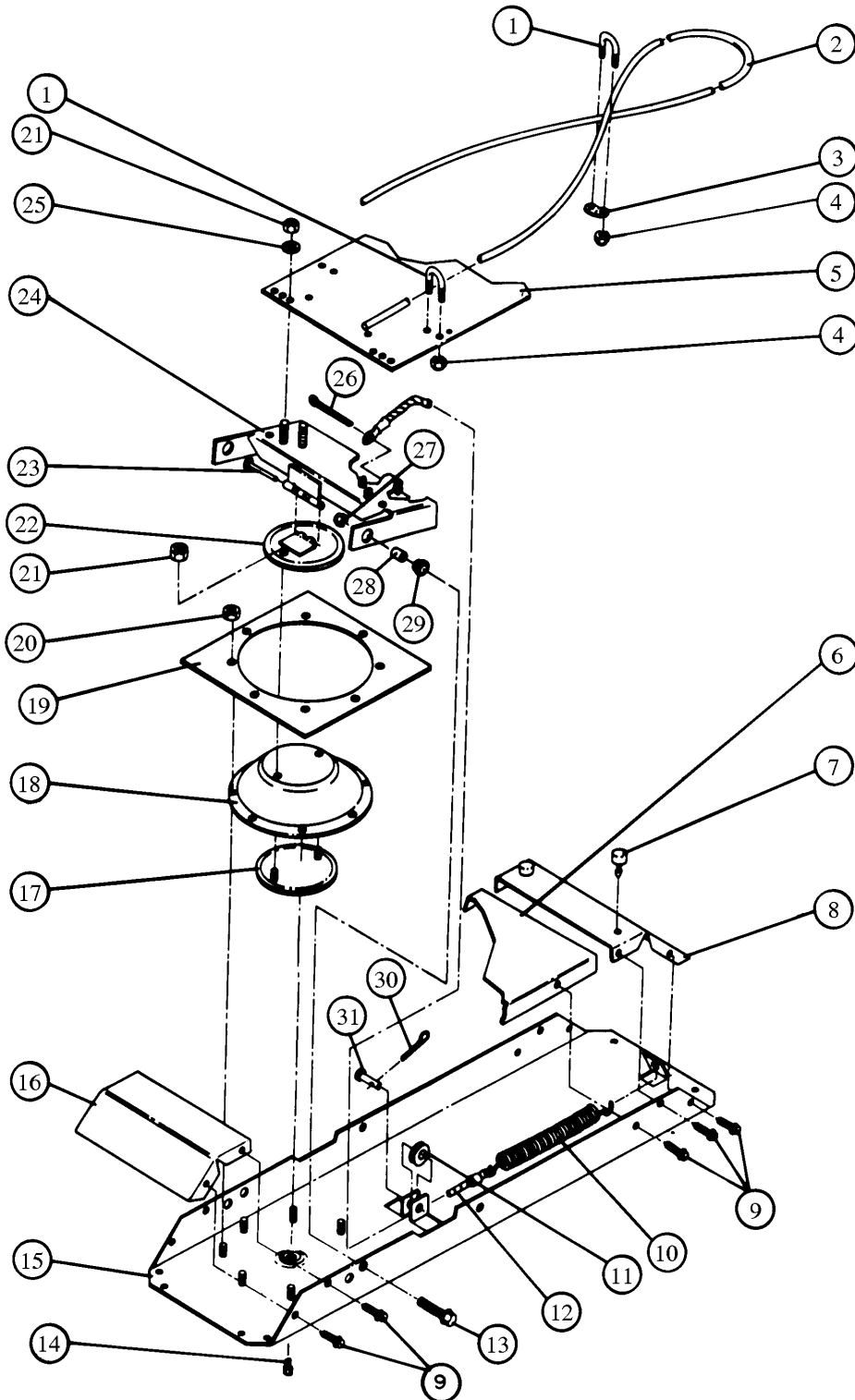


## Specialty, 6-Series Electric Assembly

Item No.	SMC P/N	Thomas P/N	Qty.	Description
		85651879		Base - Crossing Control Arm, Solid State, Electric, W/Quick Disconnect, Specialty Model 68106 (Less Arm)
1	SMC 68101	85651916	1	Base, Cast Aluminum, Painted W/Studs
2	SMC 6120	85651917	1	Control Module
3	SMC 5832	85650235	3	Nut, 8-32, Nylon Lock
4	SMC 109S	85651918	4	Nut, 8-32
5	SMC 6146	85651919	4	Washer, #8, Ext. Lock
6	SMC 5057	85651741	1	Hinge Pin
7	SMC 5014	85650241	1	Electric Motor
8	SMC 5005	85650242	1	Motor Bracket
	SMC 5065	85651934	1	V-Seal For Motor (Not Shown)
9	SMC 4048	85650222	4	Nut, 10-32, Nylon Lock
10	SMC 5003	85650229	1	Clutch Hub
11	SMC 5030	85650227	2	Roto Clamp
12	SMC 6122	85651920	1	Cam – Clutch, Double Threaded
	SMC 104	65000916	4	Washer, 1/4", Nylon (Not Shown)
13	SMC 6121	85651921	1	Vane – Position Control
14	SMC 6141	85651922	1	Washer, 9/16", Star
15	SMC 6135	85651923	1	Nut, 9/16"-18, Jam-Modified
16	SMC 143	96300143	2	Nut, 1/4"-20, Hex SS
17	SMC 148	85651189	2	Washer, 1/4", Split SS
18	SMC 147	85651188	2	Washer 1/4"
19	SMC 5168	85650406	1	Hinge Bracket
20	SMC 5122	85650225	2	Nut, 3/4"-16, Whiz
21	SMC 6123	85651924	2	Bushing
22	SMC 6143	85651925	2	Seal, Bushing - Shaft
	SMC 6144		1	Gasket, Bushing (Not Shown)
23	SMC 6136	85651926	2	Screw, 8-32 x 1/2" FH Octal
24	SMC 6137	85651927	2	Screw, 8-32 x 5/8" FH Octal
25	SMC 6119	85651928	1	Harness
26	SMC 6142	85651929	1	Grommet
27	SMC 68125	85651930	1	Cover
28	SMC 6138	85651931	8	Screw, 10-32 x 3/8" Pan Octal
	SMC 6130	85651932	1	Positive Stop (Not Shown)
29	SMC 6140		2	Stud, Broaching, 1/4-20 x 3/4"
30	SMC 6139		3	Stud, Broaching, 8-32 x 5/8"
		65008347		Arm - Crossing, Electric, With Standard Wire Loop Rod (Smc-6 Series)
		85651880		Arm - Crossing, Electric, With Yellow Poly Rod (Smc-6 Series)

# CROSSING ARM

## Specialty, Air Assembly

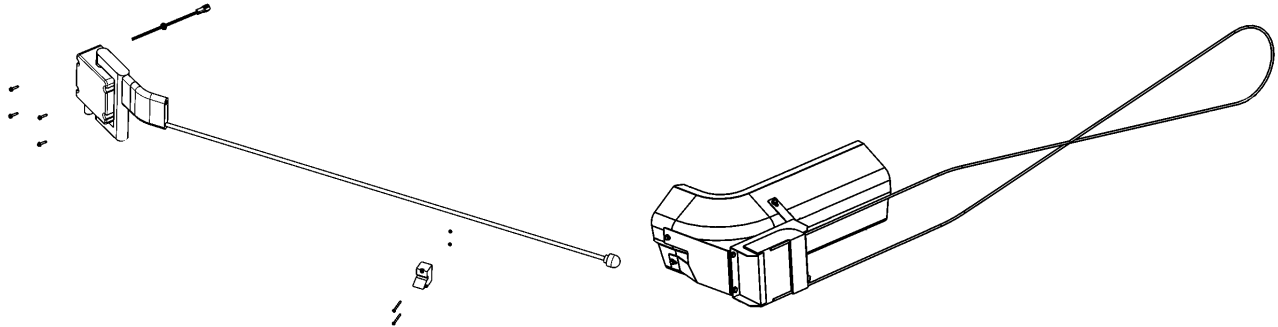


## Specialty, Air Assembly

Item No.	Part No.	Qty.	Description
	65000976	1	Base - Air, Crossing Control Arm Assembly
1	65000973	5	Bolt - "U", 5/16", W/ #10 - 24 Threads
2	65000970	1	Rod - Aluminum
3	65001803	1	Clamp
4	65000974	10	Nut - Hex, #10 - 24, Lock, for U-Bolt
5	65000977	1	Plate - W/O Light Holes
	65000979	1	Plate - W/ Light Holes
6	65000966	1	Pan - Air
7	25310365	2	Bumper - Plate
8	25306365	1	Plate - Cover, Rear End
9	85690003	12	Screw - Tapping, Serrated, #10 - 1/2"
10	65000969	1	Spring - Return
11	65000968	1	Pulley - Nylon
12	65000967	1	Assembly - Cable, Return
13	96300174	2	Bolt, 1/4" - 20 x 3/4"
14	85650026	1	Restrictor - Air
15	85650080	1	Base - W/ Studs
16	25184365	1	Plate - Cover, Front End
17	25308365	1	Plate - Diaphragm, Inner
18	25180365	1	Diaphragm
19	65000962	1	Ring - Retaining, Diaphragm
20	96300111	8	Nut - Hex, #10 - 32
21	96300143	6	Nut - Hex, 1/4" - 20
22	25309365	1	Plate - Diaphragm, Outer
23	25182365	1	Pin - Hinge
24	85650027	1	Hinge - Assembly
25	96300178	4	Washer - Lock, 1/4"
26	85650013	1	Pin - Cotter, 1/8" x 2 1/2"
27	29940006	2	Nut - Hex, Nylon Lock, 1/4" - 20
28	25045368	2	Bearing - Inner
29	25178365	2	Bearing - Outer
30	65000963	1	Pin - Cotter, 1/16" x 1 1/2"
31	65000964	1	Pin - Clevis, 1/4" x 3/4"

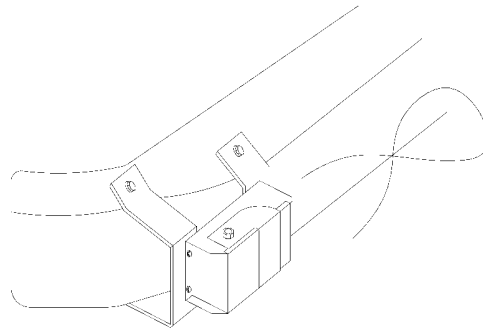
# CROSSING ARM

## Specialty, Air Assembly



Part No.	Description
65012113	Walk Gate, Transpec, Safety Cross, Single Pole, Freightliner
65012115	Walk Gate, Transpec, Safety Cross, Single Pole

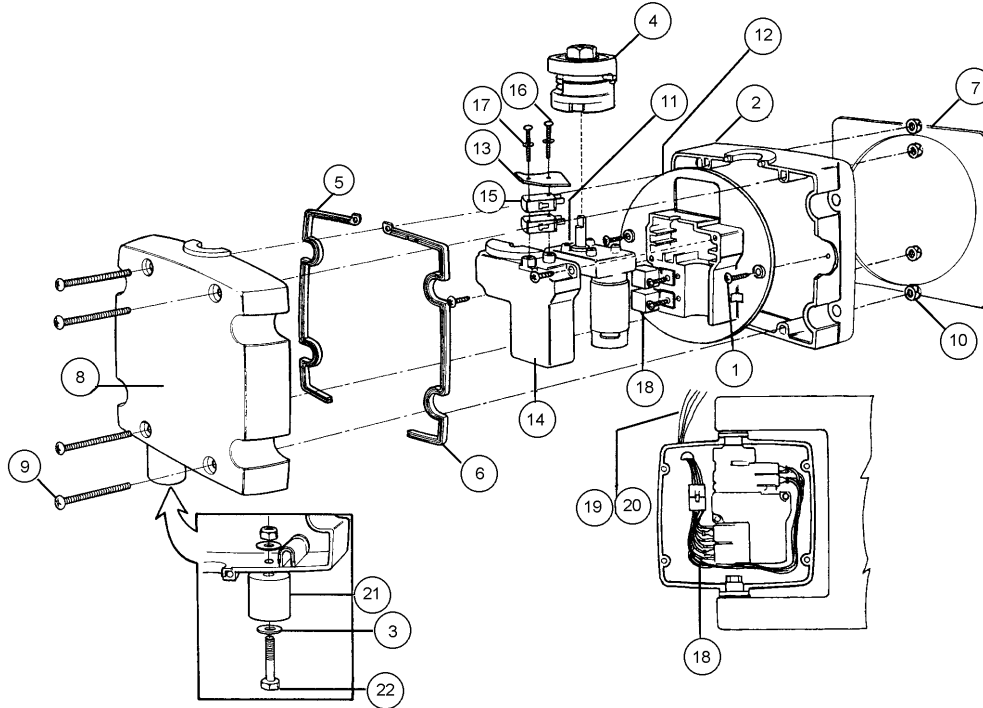
Part No.	Description
65008221	Crossing Control Arm Kit, Ford Minotour (Specialty Model #08059)
65010921	Crossing Control Arm Kit, Ford Minotour (Specialty Model #08059-S)



Part No.	Description
65008228	Crossing Control Arm Kit, GM, Minotour
65010922	Crossing Control Arm Kit, GM Minotour (Specialty Model #08070-S)

## Transpec, Drive Mechanism

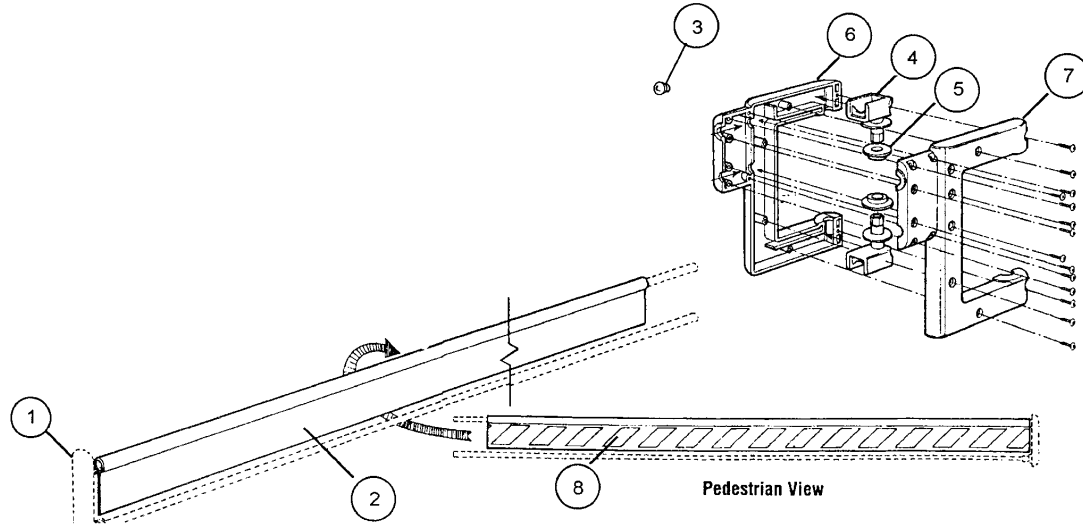
(Note: See Stop Sign Section 12 For New Style Clutch)



Item No.	Part No.	Description
	65007871	Walk Gate, Double Pole Extruded Reflector Plate
1	85651077	Screws - Special
2	85651089	Mechanism - Base
3	85651825	Washer
4	85651817	Clutch - Assembly
5	85651818	Gasket - Motor, Left
6	85651819	Gasket - Motor, Right
7	85651090	Gasket - Mechanism Base
8	85651091	Cover - Mechanism
9	85651092	Screw - Phillips Cover
10	85651093	Nut - Hex Lock
11	85651094	Drive - Motor
12	85651095	Motor - Cradle
13	85651109	Switch - Cover Plate
14	85651096	Cradle - Cover
15	85651098	Microswitch
16	85651099	Screw - Phillips
17	85651100	Lock - Washer
18	85651820	Wire - Harness Relay Module
19	85651821	Wire - Harness (42")
20	85651822	Wire - Harness (176")
21	85651823	Rubber - Bumper
22	85651824	Bolt

# CROSSING ARM

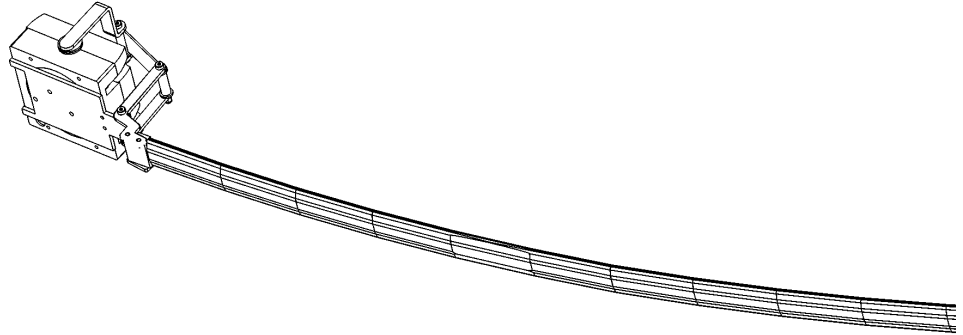
## Transpec, Crossing Control Arm



Item No.	Part No.	Description
1	85651826	Arm - Assembly (Double Pole W/ Extrusion & Bracket)
	TNI 4533	End Piece
	TNI 4525	Vinyl End Cap Cover
2	85651827	Extrusion - Assembly
3	85651828	Plug - Rubber
4	85651078	Drive - Arm
5	85651079	Bushing
6	85651829	Bracket - Front
7	85651830	Bracket - Rear
8	85651831	Reflective - Striping

## Transpec, Crossing Control Arm

### Transpec Walk Gate Assembly

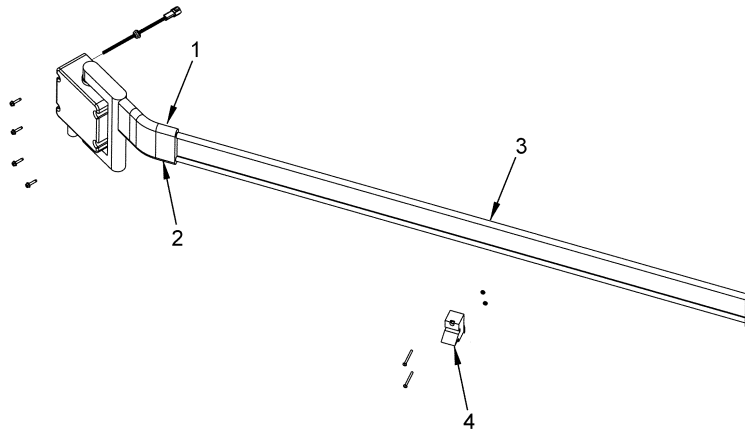


Item No.	Thomas P/N	TNI P/N	Qty.	Description
	65009895		1	Walkgate Assembly, Integrated
1		TNI 4401	1	Housing Bracket, Bottom
2		TNI 4402	1	Housing Bracket, Top
3		TNI 4404	2	Rear Pivot Arm
4		TNI 4410	1	Bracket Arm Support
5		TNI 4415	1	Extrusion Mounting Block
6		TNI 4405	6	Mounting Plate
7		TNI 4421	3	3/8" I.D. X 3/4" O.D. Washer
8		TNI 2420	3	5/16"-18 Nylock Hex Nut
9		TNI 4420	4	3/8" X 2.75" Shoulder Bolt, 5/16"-18, S/S
10		TNI 4030	2	1/4"-20 Nylock Hex Nut
11		TNI 4031	2	1/4"-20 Nylock Hex Nut W/Black Coating
12		TNI 4020	1	1/4"-20 X 3.25" RD. HD. Phillips Screw S/S
13	65009977	TNI 4406	1	Walkgate Arm
14		TNI 4408	2	Polyrod End Cap
15		TNI 4170	2	Bushing, Bronze Oilite
16		TNI 4419	2	Deutch Pin #0460-2020-16-141
17		TNI 2100-B	1	Torx HI-LO Screw, S/S, W/Black Dicromate
18		TNI 4422	1	Retaining Ring
19		TNI 4425	1	Slush Cover
20		TNI 4004	1	Grommet - Tail Harness
21	65010087	TNI 4000-300	1	Motor Assembly
22		TNI 4411-001	1	Stow Bracket Kit

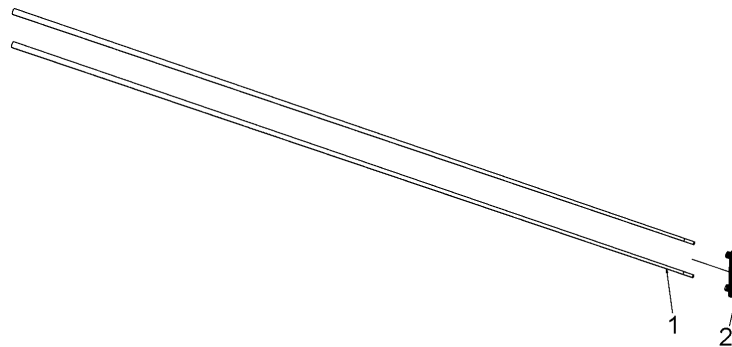
# CROSSING ARM

## Transpec, Crossing Control Arm

### Transpec Walk Gate Assembly - Freightliner



Item No.	Thomas P/N	Qty.	Description
	65007869	1	Walkgate - Transpec Safety Cross-Double Pole, Freightliner
1	TNI 4501	1	Bracket – Offset Crossing Arm, Rear
2	TNI 4502	1	Bracket – Offset Crossing Arm, Front
3	TNI 4531	2	Pole – Crossing Arm
4	TNI 4511	1	Bracket (Thomas P.N. 85652071)



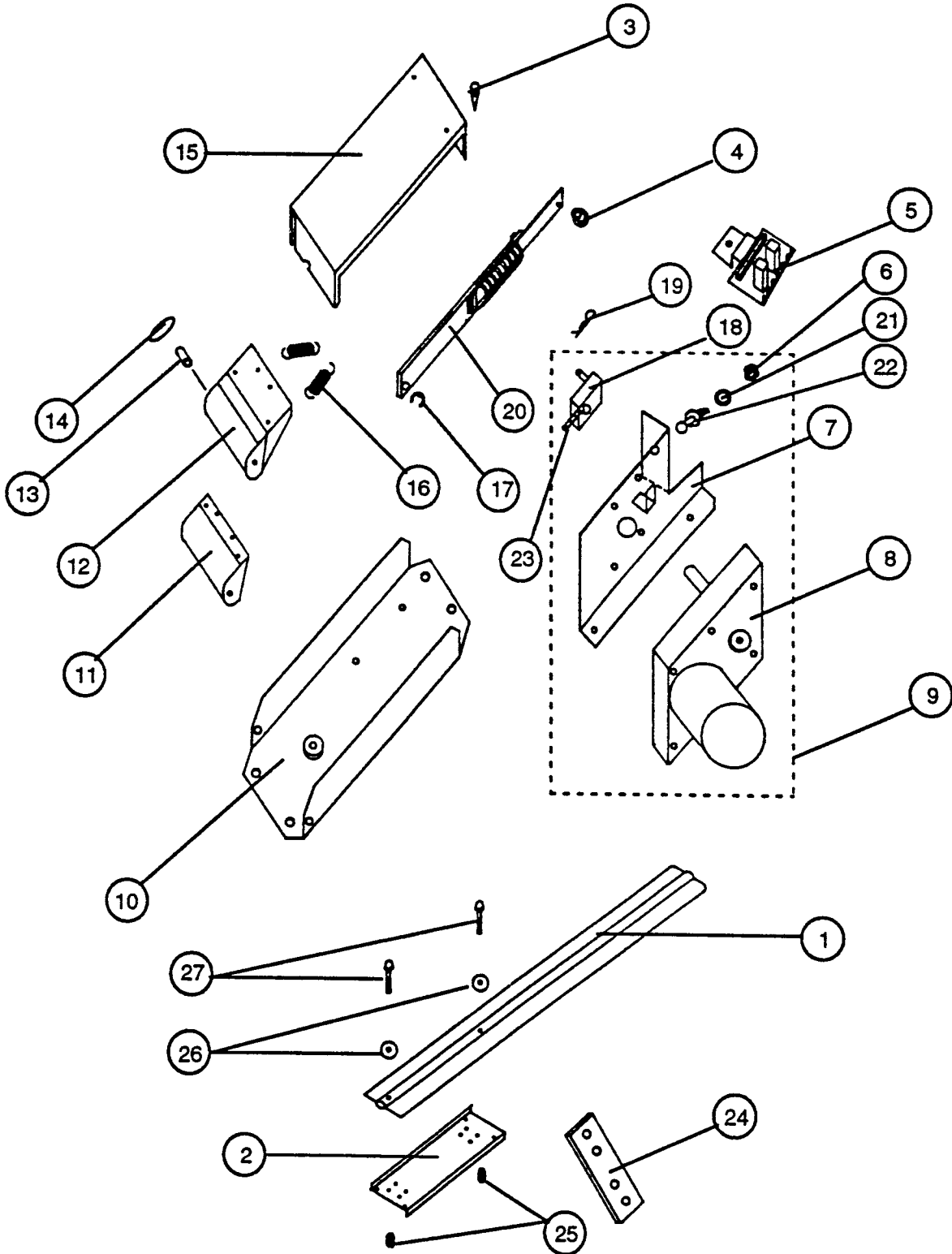
Part No.	Description
TNI 4000-003	Arm Assembly (Double Pole), Transpec
TNI 4531	Pole - Crossing Arm
TNI 4533	End Cap - Double Pole Crossing Arm



**This page intentionally left blank.**

# CROSSING ARM

## BMR, Electric 6000 Series

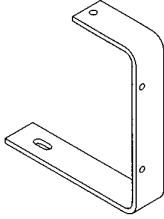


## BMR, Electric 6000 Series

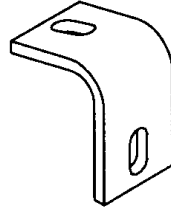
Item No.	Part No.	Qty.	Description
	65005484	1	Crosswalk - Assembly, Complete BMR
	85650200	1	Crosswalk - Assembly, BMR, (Includes items 1, 2, 24-27.)
	65005484	1	Arm - Crossing Control, Electric, W/ Yellow Gate, Assembly
1	85650195	1	Gate - Flexible, Yellow
2	85650196	1	Bracket - Mounting
3	25310365	AR	Grommet
4	81520142	1	Bushing
5	85650505	1	Module - Control
6	85650506	2	Nut - Lock
7	85650522	1	Bracket - Mounting
8	81520134	1	Motor - Gear Drive
9	85650521	1	Drive - Assembly
10	81520143	1	Body
	81520135	1	Grommet
11	85650511	1	Hinge - Breakaway 90 Degrees
12	85650510	1	Hinge - Breakaway, 180 Degrees
13	81520133	1	Sleeve
14	81520132	1	Bushing
15	81520144	1	Plate - Cover
16	81520146	2	Spring
17	85650194	1	Clip - C
18	81520136	1	Arm - Drive
19	85650189	1	Clip - Spring
20	81520138	1	Arm - Linkage
21	85650507	2	Insulator
22	85650508	1	Switch
23	85650509	1	Screw - Set
24	85650519	1	Coupler - Anti-Vibration
25	85650199	2	Nut
26	85650197	2	Washer
27	85650198	2	Bolt

# CROSSING ARM

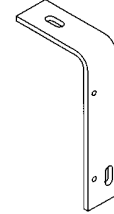
## Brackets, Bumper Mounting



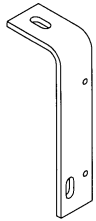
Part No.	Description
65004223	Bracket - Bumper Mounting, Crossing Control Arm, 1990 Navistar



Part No.	Description
65004224	Bracket - Bumper Mounting, Crossing Control Arm, 1990 Navistar



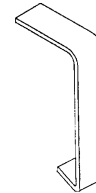
Part No.	Description
65004225	Bracket - Bumper Mounting, Crossing Control Arm, International & Navistar



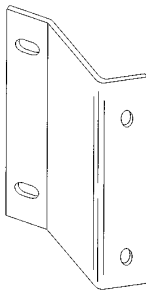
Part No.	Description
65004226	Bracket - Bumper Mounting, Crossing Control Arm Special for Thomas Bumper Only



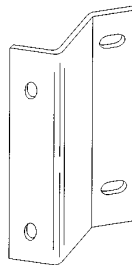
Part No.	Description
65005583	Bracket - Bumper Mounting, Crossing Control Arm, Left Side, Thomas



Part No.	Description
65005584	Bracket - Bumper Mounting, Crossing Control Arm, Right Side, Thomas



Part No.	Description
85651863	Bracket - Outer, Crossing Arm, Freightliner, Air
85651849	Includes 85651862 & 85651863



Part No.	Description
85651862	Bracket - Inner, Crossing Arm, Freightliner, Air
85651849	Includes 85651862 & 85651863

**TABLE OF CONTENTS**

First Aid Kits .....14.2

Fire Extinguishers .....14.6

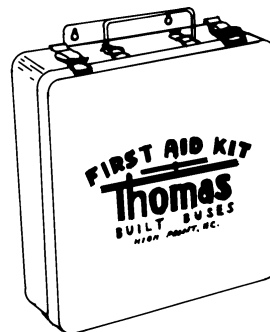
Fire Axes & Wrecking Bars .....14.8

Body Fluid Clean-Up Kits .....14.9

Triangle Reflectors & Fusees .....14.11

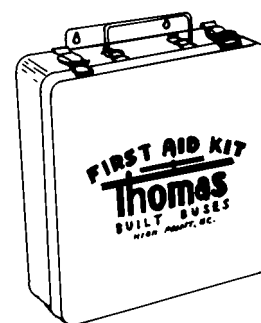
## First Aid Kits

Part No.	Description	State
65000239	Kit - First Aid, 24 Unit	Alabama 16-AL-SB
65001773	Kit - First Aid, 24 Unit	Arizona
65000625	Kit - First Aid, 36 Unit	Arizona #01-12-82
65010780	Kit - First Aid, 10 Unit	Arkansas
25124379	Kit - First Aid, 10 Unit	California
25126379	Kit - First Aid, 16 Unit	California
25031368	Kit - First Aid, 24 Unit	California
65010320	Kit - First Aid, 36 Unit	Can. Maritimes
81650323	Kit - First Aid	Can. Maritimes
65010319	Kit - First Aid, 36 Unit	Canada
25071369	Kit - First Aid, 24 Unit	Colorado
65010184	Kit - First Aid, 10 Unit	Connecticut
25039377	Kit - First Aid, 10 Unit	Delaware
25125379	Kit - First Aid, 10 Unit	Florida
65000238	Kit - First Aid, 10 Unit	Georgia
65004086	Kit - First Aid, 10 Unit	Hawaii
65010185	Kit - First Aid, 10 Unit	Hawaii
65000750	Kit - First Aid, 24 Unit	Idaho
65000751	Kit - First Aid, 7 Unit	Illinois
25037377	Kit - First Aid, 24 Unit	Indiana
25014365	Kit - First Aid, 36 Unit	Iowa
65010188	Kit - First Aid, 10 Unit	Iowa
65010190	Kit - First Aid, 24 Unit	Iowa
25011365	Kit - First Aid, 24 Unit	Iowa 01-12-85
65011114	Kit - First Aid, 24 Unit	Kentucky (Metal)
65010192	Kit - First Aid, 24 Unit	Louisiana
25120378	Kit - First Aid, 16 Unit	Maine
25009365	Kit - First Aid, 24 Unit	Maryland SBK
25028371	Kit - First Aid, 10 Unit	Michigan
25013365	Kit - First Aid, 36 Unit	Minnesota
25034375	Kit - First Aid, 24 Unit	Montana
25055369	Kit - First Aid, 16 Unit	Nebraska SBK
65007753	Kit - First Aid, 24 Unit	New Hampshire
65006486	Kit - First Aid, 24 Unit	New Jersey
65010198	Kit - First Aid, 10 Unit	New Jersey



## First Aid Kits

Part No.	Description	State
65010201	Kit - First Aid, 24 Unit	New Mexico
65001915	Kit - First Aid, 27 Unit	New York
65001195	Kit - First Aid, 10 Unit	New York #01-12-95
65001936	Kit - First Aid, 10 Unit	New York #P-K927-1
25241000	Kit - First Aid, 24 Unit	New York 01-12-95
25076368	Kit - First Aid, 10 Unit	North Carolina
25120372	Kit - First Aid, 24 Unit	North Dakota, 203-037
65010322	Kit - First Aid, 24 Unit	Northwest Canada (Yukon)
25077368	Kit - First Aid, 24 Unit	Ohio
65007977	Kit - First Aid, 24 Unit	Ohio
65010205	Kit - First Aid, 16 Unit	Ohio
25074373	Kit - First Aid, 24 Unit	Oregon #01-12-59
65000346	Kit - First Aid, 10 Unit	Pennsylvania
65007754	Kit - First Aid, 24 Unit	Quebec
65010321	Kit - First Aid, 24 Unit	Quebec
65010211	Kit - First Aid, 10 Unit	Rhode Island
65010323	Kit - First Aid, 10 Unit	Saskatchewan
65004058	Kit - First Aid, 16 Unit	South Carolina
65010213	Kit - First Aid, 24 Unit	South Carolina
25075373	Kit - First Aid, 24 Unit	South Dakota
25240000	Kit - First Aid, 16 Unit	Standard SBK
25243000	Kit - First Aid, 10 Unit	Standard, M DOT
25005365	Kit - First Aid, 24 Unit	Standard, SBK
25071379	Kit - First Aid, 24 Unit	Texas SBK
25127379	Kit - First Aid, 24 Unit	Utah
65010214	Kit - First Aid, 16 Unit	Virginia
25030368	Kit - First Aid, 24 Unit	Washington #01-12-64
65000724	Kit - First Aid, 36 Unit	West Virginia
65008984	Kit - First Aid, 36 Unit	West Virginia
65000840	Kit - First Aid, 16 Unit	Wisconsin
25121378	Kit - First Aid, 24 Unit	Wisconsin #01-12-66
25084375	Kit - First Aid, 16 Unit	Wyoming
65001501	Kit - First Aid, 24 Unit	Wyoming
65010218	Kit - First Aid, 16 Unit	Wyoming
65000718	Kit - First Aid, 18 Unit	(In 24 Unit Box)



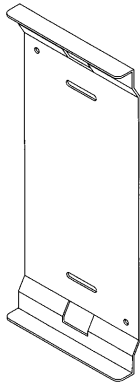
## First Aid Kits

### Box (Only)

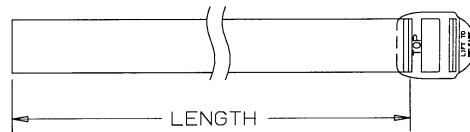
Part No.	Description
97320110	10 Unit Box, Metal
97320116	16 Unit Box, Metal
97320124	24 Unit Box, Metal
97320136	36 Unit Box, Metal
85650975	10 Unit Box, Plastic

### Refill Kits

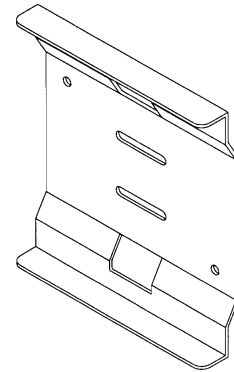
Part No.	Description
25029368	First Aid, 10 Unit, North Carolina
85651154	First Aid, 24 Unit, New Jersey



65004966



65004969  
65004970



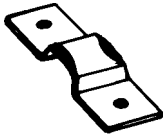
65004965

### Brackets

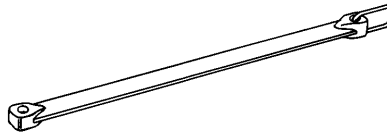
Part No.	Description
65004965	Bracket - First Aid Kit, for 5" High Box
65004966	Bracket - First Aid Kit, for 9 1/2" High Box
65004969	Strap - First Aid Kit, 5" Box, 20" Long
65011335	Strap - First Aid Kit, 5" Box, 20" Long (Red Buckle)
65004970	Strap - First Aid Kit, 9 1/2" Box, 31" Long
65011336	Strap - First Aid Kit, 9 1/2" Box, 31" Long (Red Buckle)
69003099	Screw - Tapping, #10 x 5/8", Truss Head (Quantity of 2)



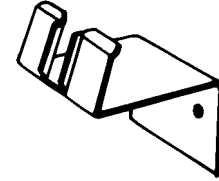
**First Aid Kits**



**25001372**



**25273372**



**25002372**

**Miscellaneous**

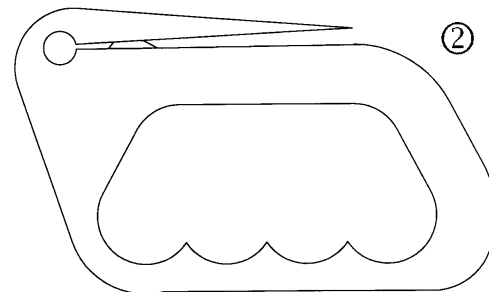
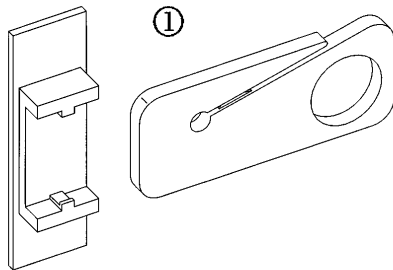
Part No.	Description
25001372	Clamp - Rubber Strap, First Aid Kit
25002372	Retainer - Rubber Strap, First Aid Kit
25273372	Strap - Tarp. Assembly, First Aid Kit, 15"
26081370	Rubber - Sponge, SC 42 VNN, W/NSPSA-M

**Fire Rescue Blanket**

Part No.	Description
65002917	Blanket - Fire, 7030-W Special
65009991	Blanket-Fire, Evacuation Aide, 30" X 96", Reinforced Laminated Nylon

**Fire Rescue Blanket Box**

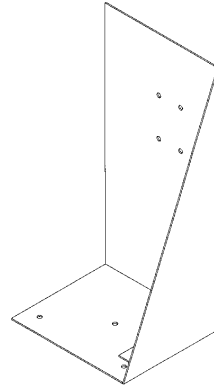
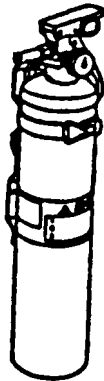
Part No.	Description
65009994	Fire Rescue Blanket Box Assembly



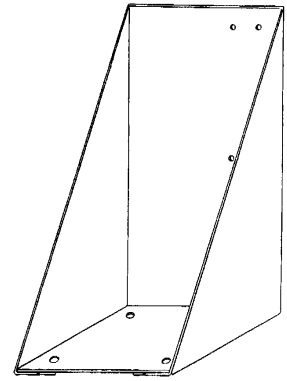
**Seat Belt Cutter**

Part No.	Description
65002846	Cutter - Seatbelt, R200950 (Ref 1)
65006348	Cutter - Seatbelt, Tie Tech (Ref 2)

## Fire Extinguishers



65005601



65002506

### Fire Extinguisher

Part No.	Description
65006529	Extinguishers - Fire, 2 1/2 Lb., Dry Chemical, ABC
65000133	Extinguisher - Fire, 5 Lb.
65004868	Extinguisher - Fire, 5 Lb., Dry Chemical
25400000	Extinguisher - Fire, 5 Lb., Dry Chemical, Rating 3A-40BC
65005527	Extinguisher - Fire, 5 Lb., Dry Chemical, ULC Label
65002276	Extinguisher - Fire, 5 Lb., Halon Model #50G
65002842	Extinguisher - Fire, 5 3/4 Lb.
65005525	Extinguisher - Fire, 10 Lb., Dry Chemical, ULC Label
65008013	Extinguisher - Fire, 5 Lb., Dry Chemical, Rating 3A-40B:C
25033377	Extinguisher - Fire, 10 Lb., Dry Chemical (Mounted At Lift Door Area)
65007077	Extinguisher - Fire, 6 Lb., Dry Chemical Rating 3A-40BC

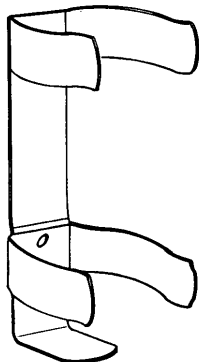
### Mounting Boxes

Part No.	Description
65002506	Box - Mounting, Fire Extinguisher
65005601	Box - Mounting, Fire Extinguisher

### Fire Extinguisher Cover

Part No.	Description
65011763	Fire Extinguisher Cover, Red, Plastic

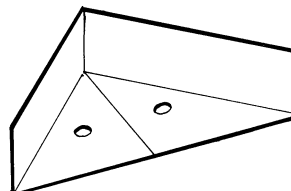
**Fire Extinguishers**



**65002852**



**25123367**

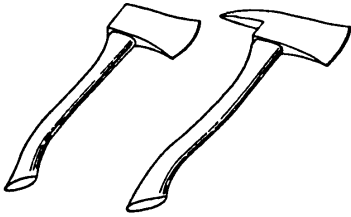


**25139377**

**Brackets**

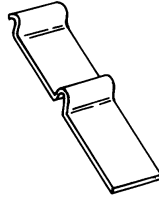
Part No.	Description
65001275	Bracket - Mounting, Fire Extinguisher, 5 Lb.
65002852	Bracket - Mounting, Fire Extinguisher, 5 Lb.
65001763	Bracket - Mounting, Fire Extinguisher, 2 1/2 Lb.
25034377	Bracket - Mounting, Fire Extinguisher, HD for 10 Lb 100 ABC
25139377	Bracket - Mounting, Fire Extinguisher, NC, Used W/ Box 25123367
25123367	Box - Fire Extinguisher, Assembly, W/ Handle & Latch, North Carolina

## Fire Axes & Wrecking Bars

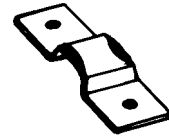


25021365

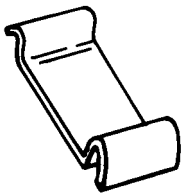
25020365



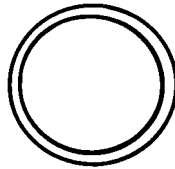
25146369



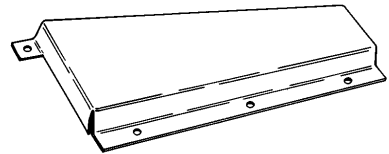
25042369



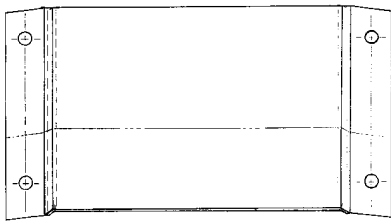
25003369



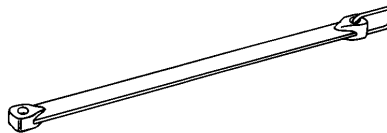
29990201



25006369



25018365



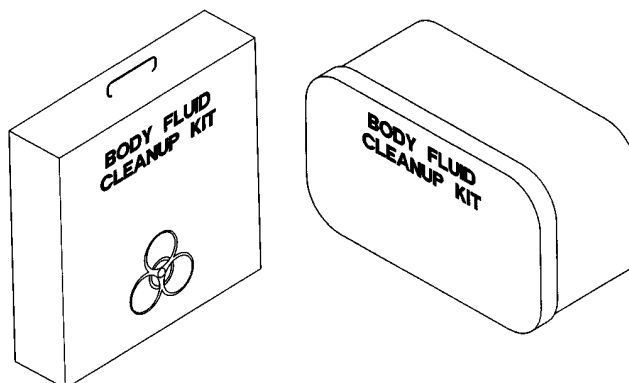
25004372



25057365

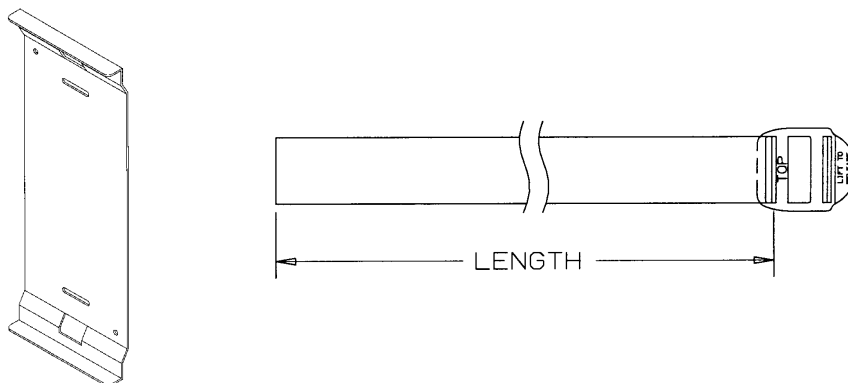
Part No.	Description
25021365	Axe - Fire, Flat Head, 18"
25020365	Axe - Fire, Pick Type, 24"
25146369	Bracket - Axe Handle, Hold Down, W/ Extension
25003369	Bracket - Axe Handle, O-Ring, 1/8" x 1" x 3 9/32"
25042369	Bracket - Hold Down, Wrecking Bar
29990201	O-Ring - Axe Handle
25006369	Guard - Fire Axe, Hold Down
25018365	Pocket - Fire Axe
25004372	Strap - Tarp, First Aid Kit, 15"
25057365	Bar - Wrecking, 24" x 3/4", Black

## Body Fluid Clean-Up Kits



Part No.	Description	State
65008983	Kit - Body Fluid Clean-Up, 10 Unit	(National STD)
65010222	Kit - Body Fluid Clean-Up, 10 Unit	Alaska
65010223	Kit - Body Fluid Clean-Up, 10 Unit	Arizona
65010224	Kit - Body Fluid Clean-Up, 10 Unit	Delaware
65005300	Kit - Body Fluid Clean-Up, 10 Unit	Florida
65010225	Kit - Body Fluid Clean-Up, 10 Unit	Georgia
65005403	Kit - Body Fluid Clean-Up, 10 Unit	Idaho
65010226	Kit - Body Fluid Clean-Up, 10 Unit	Indiana
65010227	Kit - Body Fluid Clean-Up, 10 Unit	Iowa
65007508	Kit - Body Fluid Clean-Up, 10 Unit	Kentucky
65004771	Kit - Body Fluid Clean-Up, 10 Unit	Maryland
65010228	Kit - Body Fluid Clean-Up, 10 Unit	Mississippi
65010229	Kit - Body Fluid Clean-Up, 10 Unit	Missouri
65010230	Kit - Body Fluid Clean-Up, 10 Unit	Montana
65006901	Kit - Body Fluid Clean-Up, 10 Unit	Nebraska
65010231	Kit - Body Fluid Clean-Up, 10 Unit	Nevada
65010233	Kit - Body Fluid Clean-Up, 10 Unit	New Hampshire
65007335	Kit - Body Fluid Clean-Up, 10 Unit	New Mexico
65004616	Kit - Body Fluid Clean-Up, 10 Unit	North Carolina
65010234	Kit - Body Fluid Clean-Up, 10 Unit	North Carolina
65010235	Kit - Body Fluid Clean-Up, 10 Unit	Ohio
65010236	Kit - Body Fluid Clean-Up, 10 Unit	Oklahoma
65007397	Kit - Body Fluid Clean-Up, 10 Unit	Oregon
65010237	Kit - Body Fluid Clean-Up, Heat Sealed Bag	South Carolina
65010238	Kit - Body Fluid Clean-Up, 10 Unit	Tennessee
65004608	Kit - Body Fluid Clean-Up, 10 Unit	Texas
65010239	Kit - Body Fluid Clean-Up, 10 Unit	Utah
65010240	Kit - Body Fluid Clean-Up, 10 Unit	Virginia
65005296	Kit - Body Fluid Clean-Up, 10 Unit	Washington
65010241	Kit - Body Fluid Clean-Up, 10 Unit	West Virginia

## Body Fluid Clean-Up Kits



### Refills

Part No.	Description
85650777	Kit - Refill, Body Fluid Clean-Up (For Kit #65004616)
85650701	Kit - Refill, Body Fluid Clean-Up (For Kit 465004771)
85650828	Kit - Refill, Body Fluid Clean-Up, Texas (For Kit #65004608)

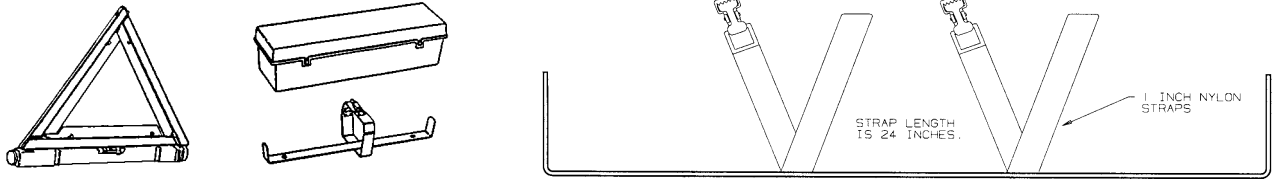
### Brackets

Part No.	Description
65004985	Bracket - Body Fluid Kit, for 10 5/8" High Box
65004970	Strap - First Aid Kit, 9 1/2" Box, 31" Long
69003099	Screw - Tapping, #10 x 5/8", Truss Head (2 required)

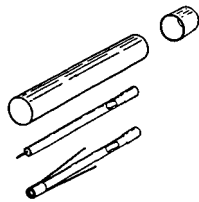
### Box

Part No.	Description
85650799	Box - Metal Body Fluid Clean Up Kit, 10 Unit

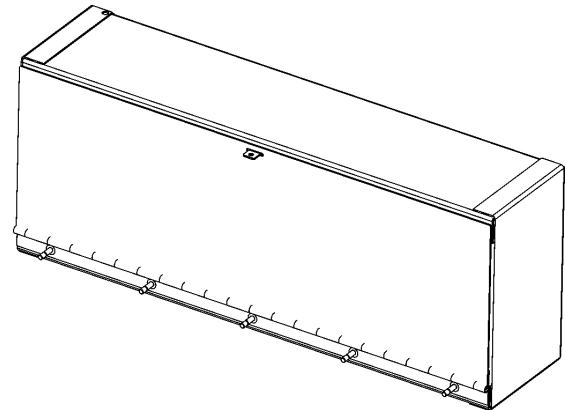
**Triangle Reflector & Fusees**



Part No.	Description
25015373	Reflector - Triangle, Kit (Includes 3 reflectors & box.)
65002962	Box - Reflector
25098376	Bracket - Triangle Reflect Kit
52004149	Bracket, Mounting, Warning Triangle, Universal



Part No.	Description
25060365	Fusee, 30 Minute, SR 30
25068369	Fusee, W/ Wire Holder
65002834	Case - Fusee, W/ Mounting Bracket



Part No.	Description
65008036	Container, Fusees & Triangle Reflectors, Lockable Overhead Storage





**TABLE OF CONTENTS**

Transpec Roof Hatches .....15.2

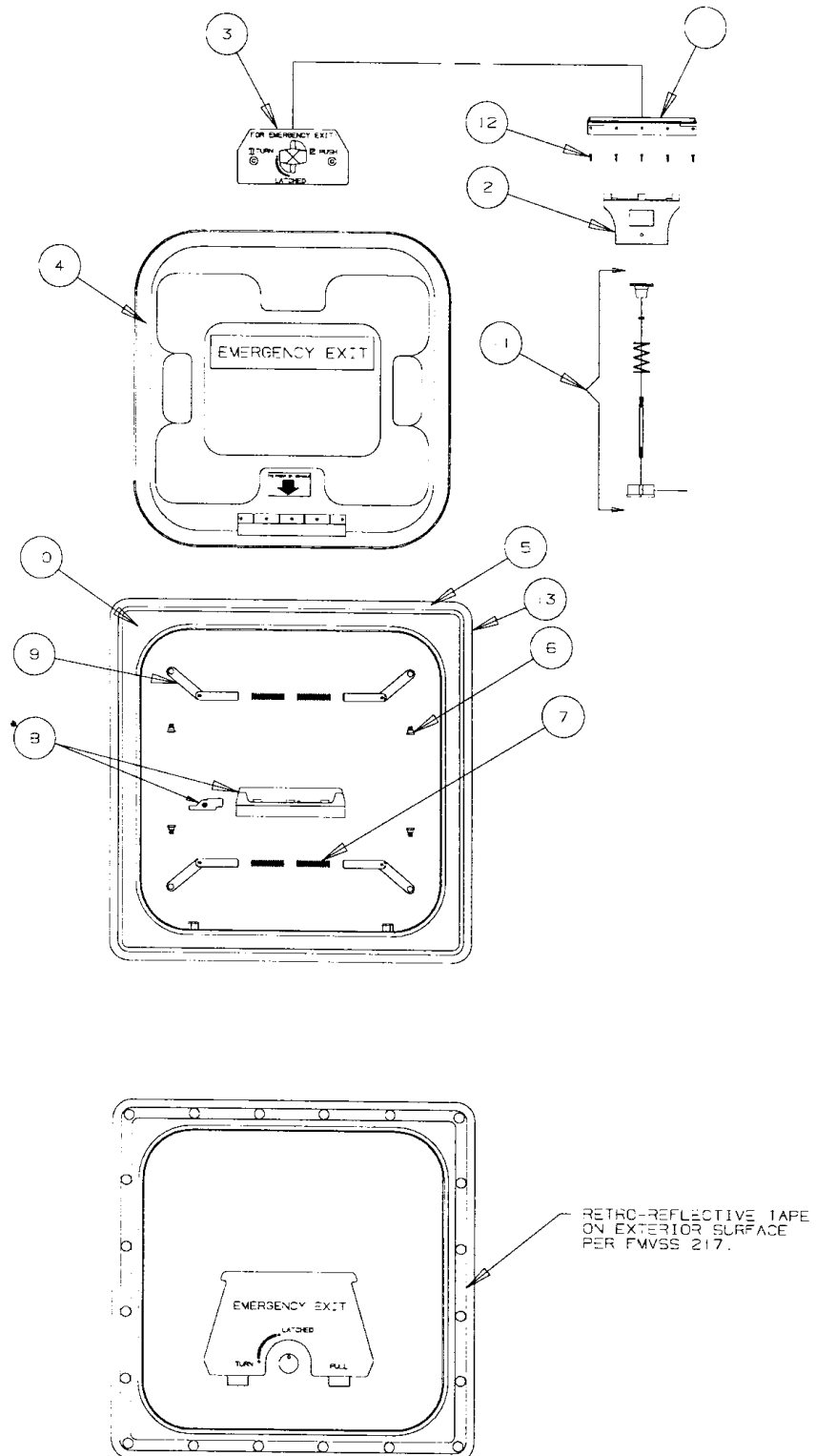
Specialty Roof Hatches .....15.26

Specialty Roof Hatch Components .....15.42

# ROOF HATCH

## Transpec Roof Hatches

56000349



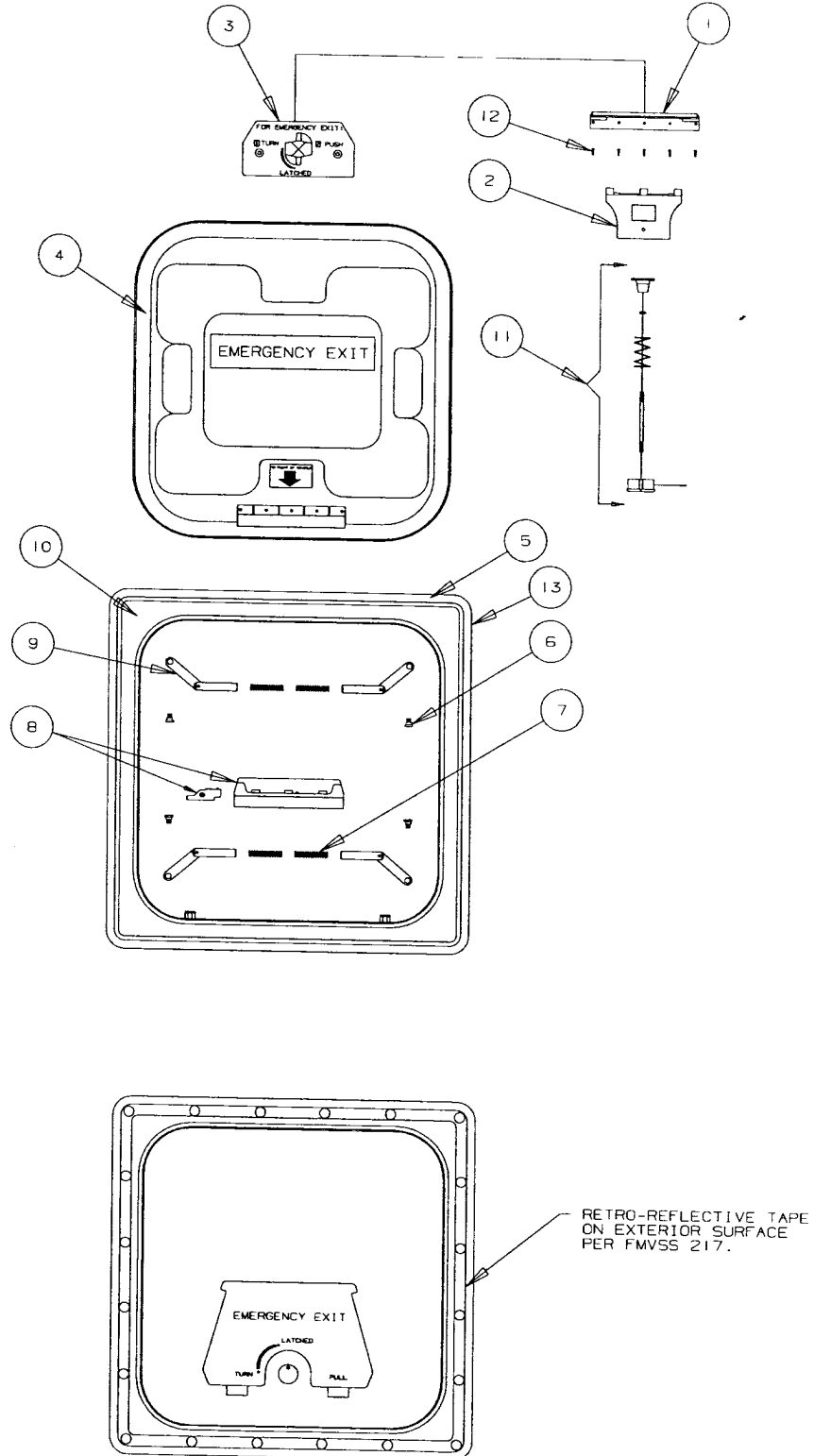
**Transpec Roof Hatches**

<b>Item No.</b>	<b>Part No.</b>	<b>Vendor No.</b>	<b>Description</b>
	56000349		Hatch - Roof Escape, Transpec Triple Value Safety Vent, Model 1100
1	56000100	2070	Base, Handle, Roof Escape Hatch
2	56000101	2695	Handle, Release Asm., roof Escape Hatch
3	56000102	2770	Shield, Release Handle
4	56000103	2810	Gasket, Sealing
5	56000104	2240-28	Frame, Mounting Roof Escape Hatch
6	56000105	2030	Bolt, Shoulder, Roof Escape Hatch
7	56000106	2040	Spring, Plunger, Roof Escape Hatch
8	56000107	2820	Hinge, Release w/ Alarm Switch
9	56000108	2700	Link & Plunger Asm., Roof Escape Hatch
10	56000109	2220-28	Trim, Interior, Molding, Roof Escape Hatch
11	56000110	2760	Release, Exterior Asm., Roof Escape Hatch
12	56000111	2100	Screw, Special, Roof Escape Hatch
13	56000342	2136	Gasket

# ROOF HATCH

## Transpec Roof Hatches

56000350



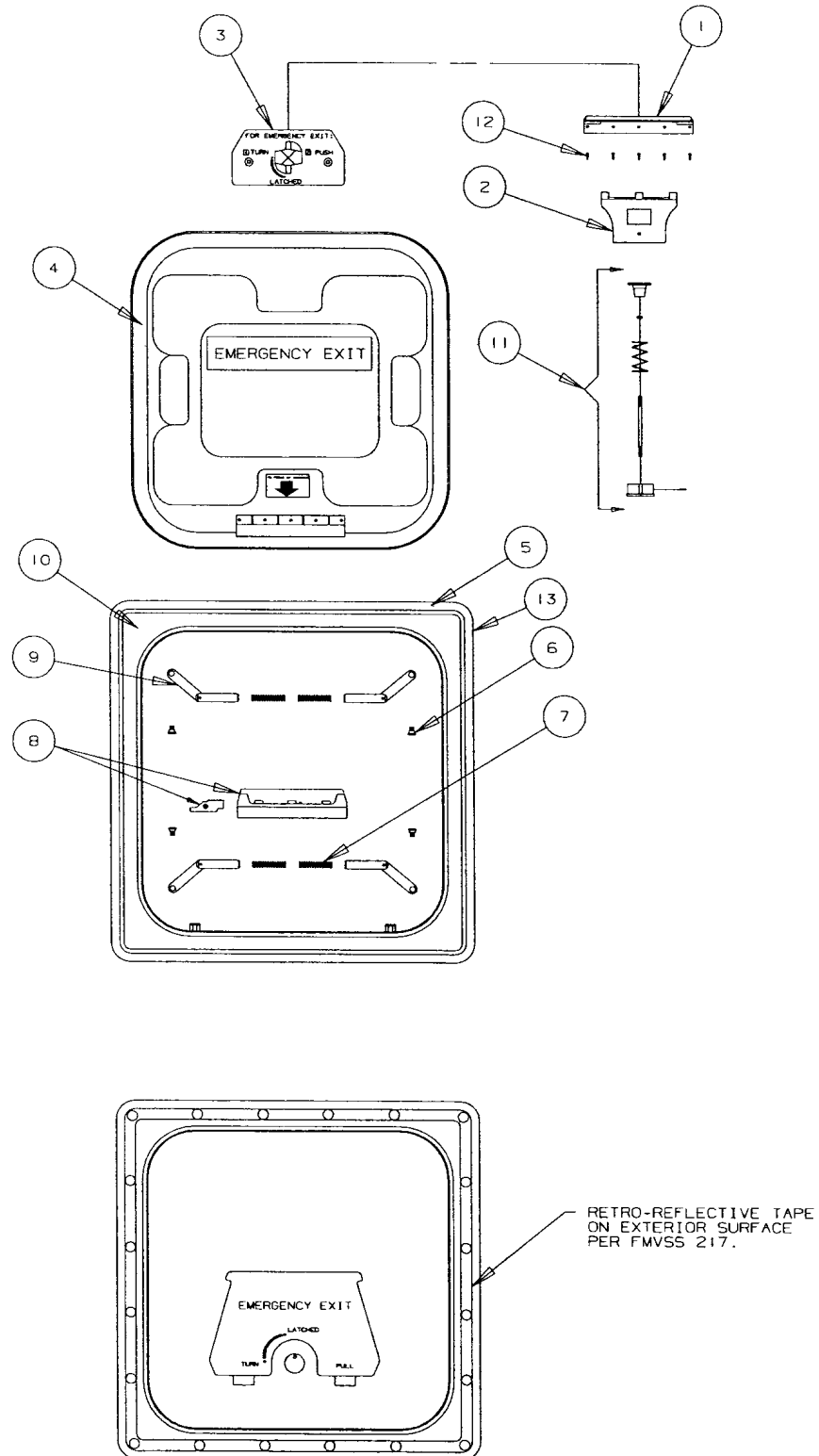
## Transpec Roof Hatches

Item No.	Part No.	Vendor No.	Description
	56000350		Hatch - Roof Escape, Transpec Econo Safety Vent, Model 1900
1	56000100	2070	Base, Handle, Roof Escape Hatch
2	56000101	2695	Handle, Release Asm., roof Escape Hatch
3	56000102	2770	Shield, Release Handle
4	56000103	2810	Gasket, Sealing
5	56000251	2242-28	Frame, Mounting Roof Escape Hatch
6	56000105	2030	Bolt, Shoulder, Roof Escape Hatch
7	56000106	2040	Spring, Plunger, Roof Escape Hatch
8	56000107	2820	Hinge, Release w/ Alarm Switch
9	56000108	2700	Link & Plunger Asm., Roof Escape Hatch
10	56000252	2222-28	Trim, Interior, Molding, Roof Escape Hatch
11	56000110	2760	Release, Exterior Asm., Roof Escape Hatch
12	56000111	2100	Screw, Special, Roof Escape Hatch
13	56000342	2136	Gasket

# ROOF HATCH

## Transpec Roof Hatches

56000387



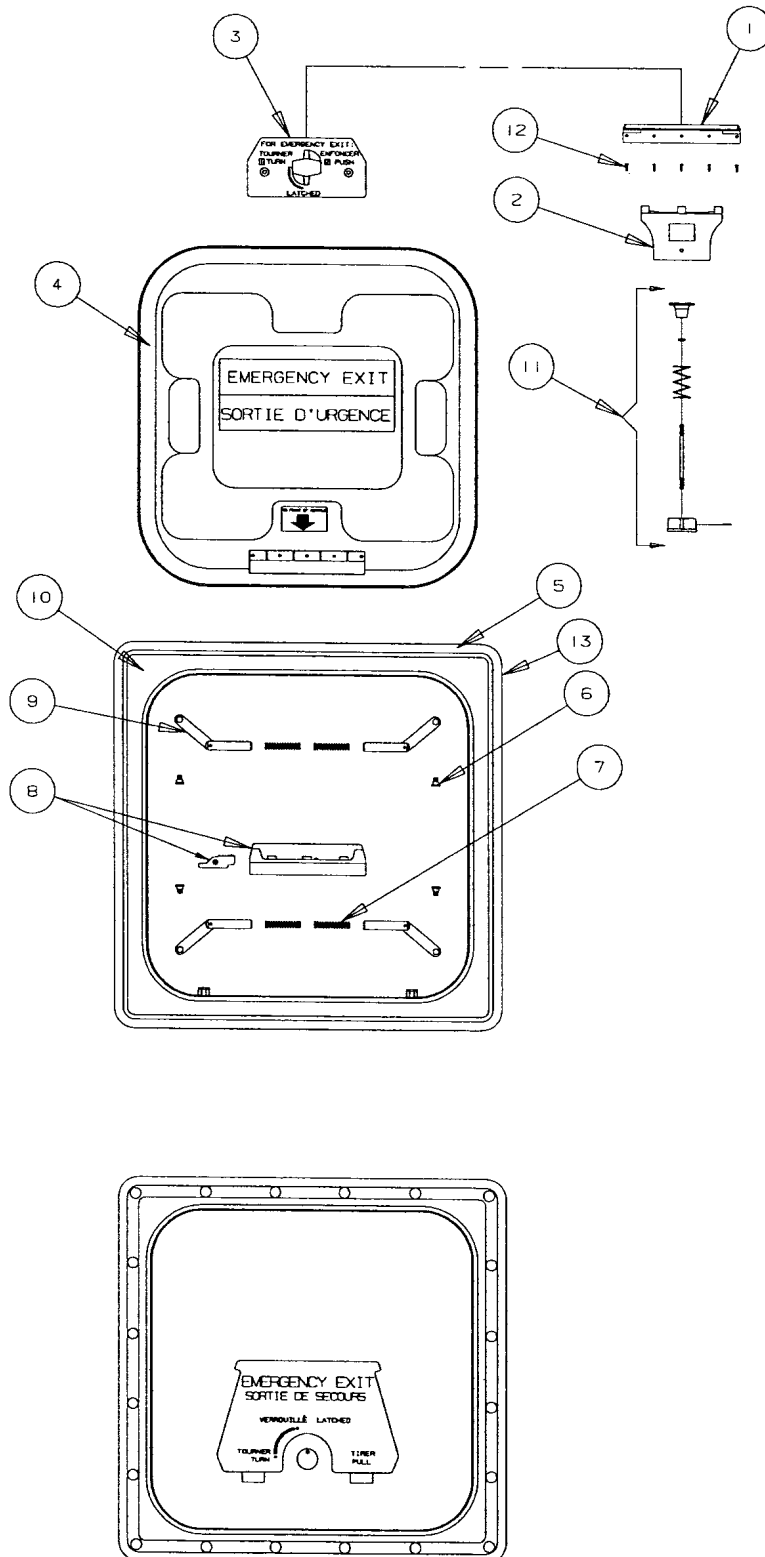
## Transpec Roof Hatches

Item No.	Part No.	Vendor No.	Description
	56000387		Hatch - Roof Escape, Transpec Triple Value, Model 1100
1	56000100	2070	Base, Handle, Roof Escape Hatch
2	56000101	2695	Handle, Release Asm., roof Escape Hatch
3	56000102	2770	Shield, Release Handle
4	56000103	2810	Gasket, Sealing
5	56000104	2240-28	Frame, Mounting Roof Escape Hatch
6	56000105	2030	Bolt, Shoulder, Roof Escape Hatch
7	56000106	2040	Spring, Plunger, Roof Escape Hatch
8	56000107	2820	Hinge, Release w/ Alarm Switch
9	56000108	2700	Link & Plunger Asm., Roof Escape Hatch
10	56000109	2220-28	Trim, Interior, Molding, Roof Escape Hatch
11	56000110	2760	Release, Exterior Asm., Roof Escape Hatch
12	56000111	2100	Screw, Special, Roof Escape Hatch
13	56000342	2136	Gasket

# ROOF HATCH

## Transpec Roof Hatches

56000445





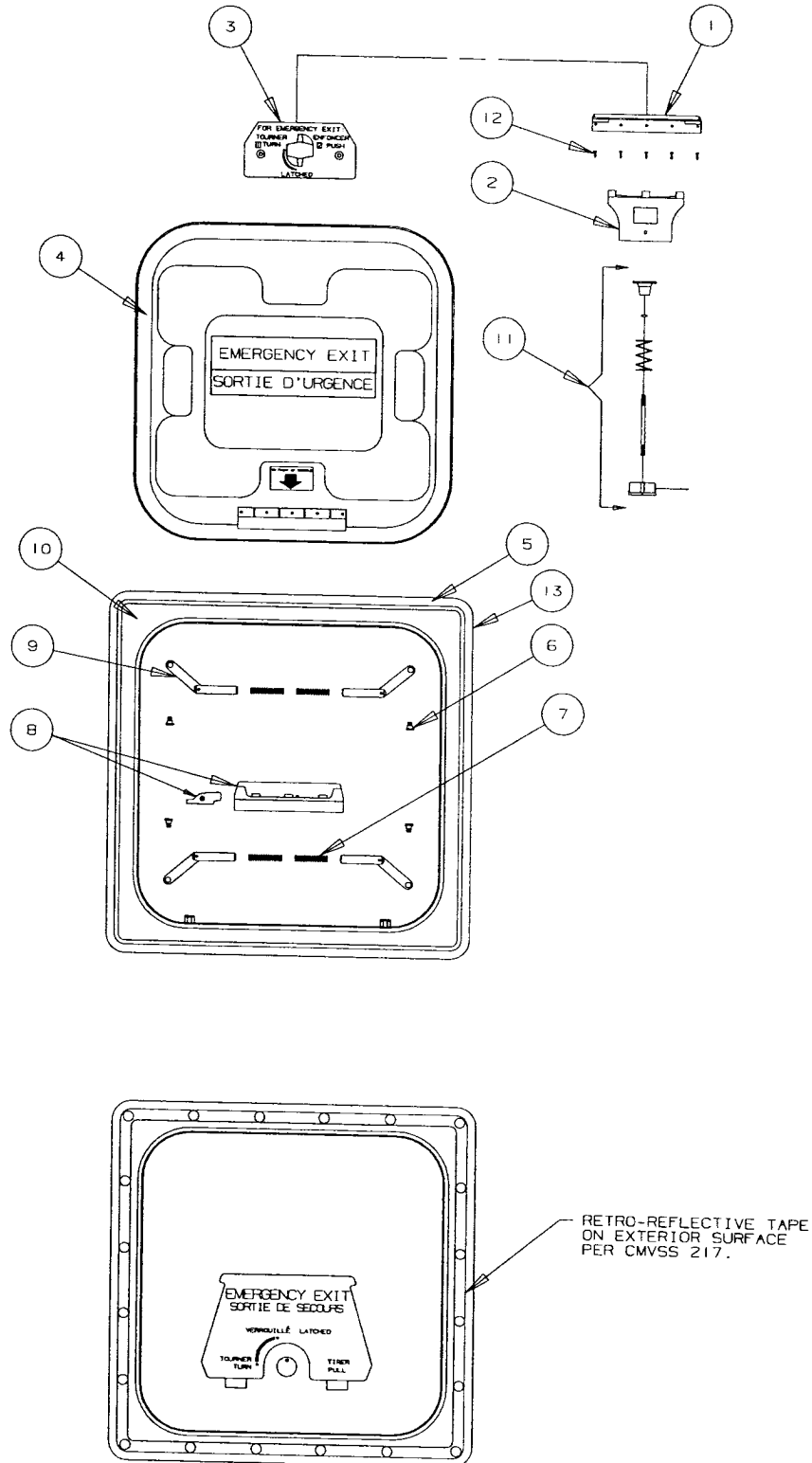
**Transpec Roof Hatches**

<b>Item No.</b>	<b>Part No.</b>	<b>Vendor No.</b>	<b>Description</b>
	56000445		Hatch - Roof Escape, Transpec Triple Value, Model 1100
1	56000100	2070	Base, Handle, Roof Escape Hatch
2	56000101	2695	Handle, Release Asm., roof Escape Hatch
3	56000102	2770	Shield, Release Handle
4	56000103	2810	Gasket, Sealing
5	56000251	2240-28	Frame, Mounting Roof Escape Hatch
6	56000105	2030	Bolt, Shoulder, Roof Escape Hatch
7	56000106	2040	Spring, Plunger, Roof Escape Hatch
8	56000107	2820	Hinge, Release w/ Alarm Switch
9	56000108	2700	Link & Plunger Asm., Roof Escape Hatch
10	56000252	2220-28	Trim, Interior, Molding, Roof Escape Hatch
11	56000110	2760	Release, Exterior Asm., Roof Escape Hatch
12	56000111	2100	Screw, Special, Roof Escape Hatch
13	56000342	2136	Gasket

# ROOF HATCH

## Transpec Roof Hatches

56000446



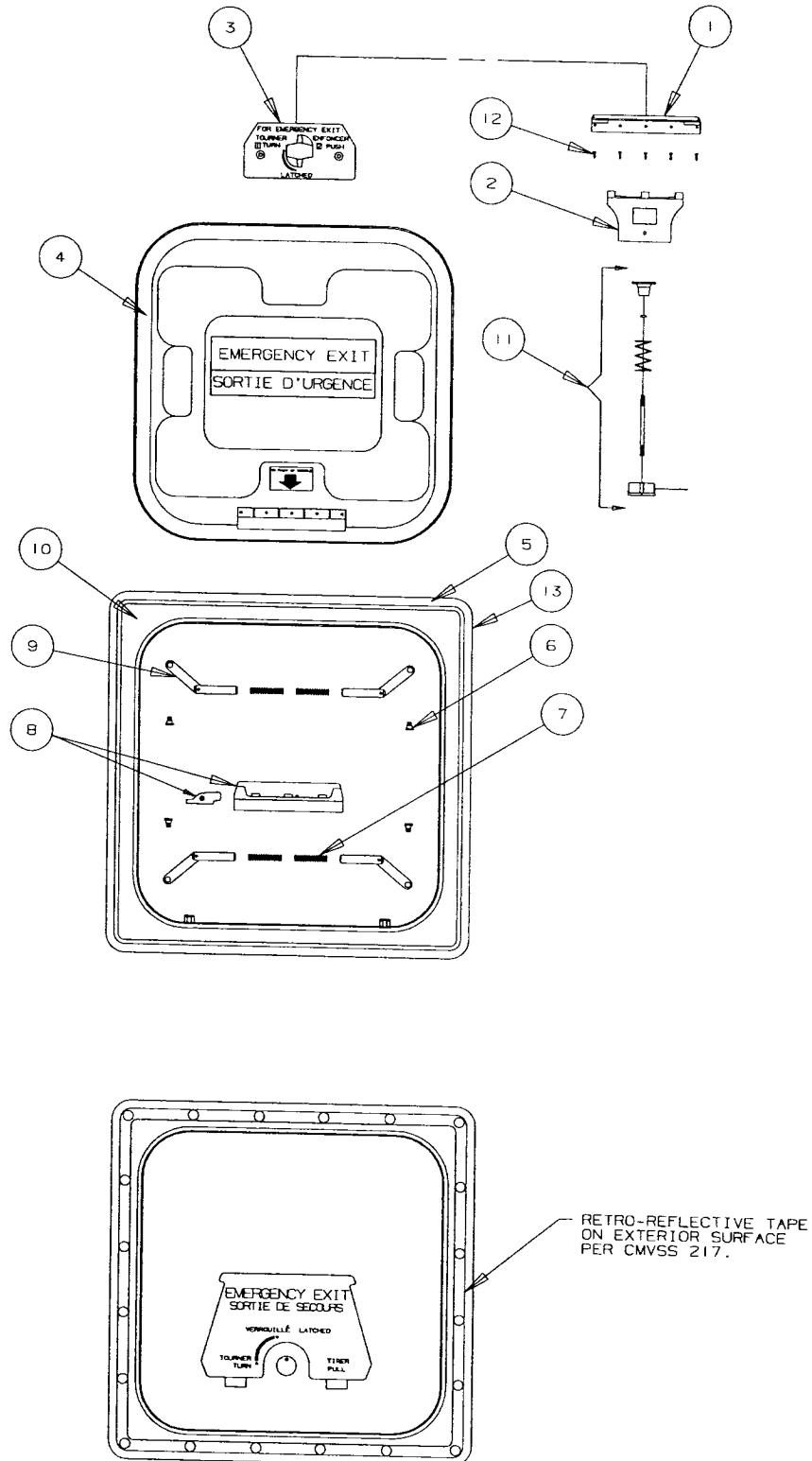
**Transpec Roof Hatches**

<b>Item No.</b>	<b>Part No.</b>	<b>Vendor No.</b>	<b>Description</b>
	56000446		Hatch - Roof Escape, Transpec Econo Safety Vent, Model 1900
1	56000100	2070	Base, Handle, Roof Escape Hatch
2	56000101	2695	Handle, Release Asm., roof Escape Hatch
3	56000102	2770	Shield, Release Handle
4	56000103	2810	Gasket, Sealing
5	56000251	2242-28	Frame, Mounting Roof Escape Hatch
6	56000105	2030	Bolt, Shoulder, Roof Escape Hatch
7	56000106	2040	Spring, Plunger, Roof Escape Hatch
8	56000107	2820	Hinge, Release w/ Alarm Switch
9	56000108	2700	Link & Plunger Asm., Roof Escape Hatch
10	56000252	2222-28	Trim, Interior, Molding, Roof Escape Hatch
11	56000110	2760	Release, Exterior Asm., Roof Escape Hatch
12	56000111	2100	Screw, Special, Roof Escape Hatch
13	56000342	2136	Gasket

# ROOF HATCH

## Transpec Roof Hatches

56000351



Transpec Roof Hatches

Item No.	Part No.	Vendor No.	Description
	56000351		Hatch - Roof Escape, Power Safety Vent, Model 1600
1	56000100	2070	Base, Handle, Roof Escape Hatch
2	56000101	2695	Handle, Release Asm., roof Escape Hatch
3	56000102	2770	Shield, Release Handle
4	56000103	2810	Gasket, Sealing
5	56000254	2240-28	Frame, Mounting Roof Escape Hatch
6	56000105	2030	Bolt, Shoulder, Roof Escape Hatch
7	56000106	2040	Spring, Plunger, Roof Escape Hatch
8	56000107	2820	Hinge, Release w/ Alarm Switch
9	56000108	2700	Link & Plunger Asm., Roof Escape Hatch
10	56000255	2220-28	Trim, Interior, Molding, Roof Escape Hatch
11	56000110	2760	Release, Exterior Asm., Roof Escape Hatch
12	56000111	2100	Screw, Special, Roof Escape Hatch
13	85560104	2895	Motor, Fan, Roof Escape Hatch
14	56000257	2940	Blade, Fan, Roof Escape Hatch
15	56000258	2880	Screen, Power Safety Vent, Roof Escape Hatch
16	56000259	2960	Screw, Oval HD, Power Vent Roof Escape Hatch
17	56000260	2950	Washer, Flange, Power Vent, Roof Escape Hatch
18	56000261	3010	Trim, Power Safety Vent, Roof Escape Hatch
19	56000262	2740	Decal, Instructional Kit, Roof Escape Hatch
20	56000263	2140	Pin, Hinge, Power Safety Vent, Roof Escape Hatch
21	56000342	2136	Gasket

# ROOF HATCH

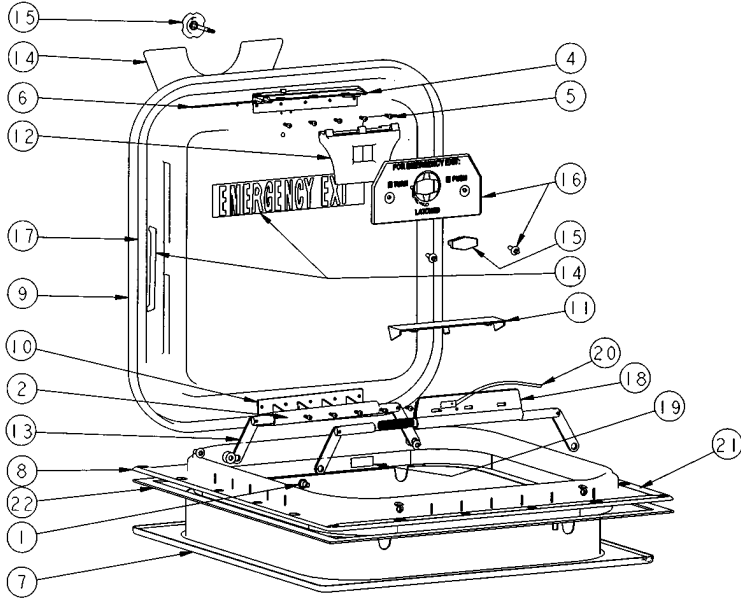
---

---

**This page intentionally left blank.**

Transpec Roof Hatches

56001235



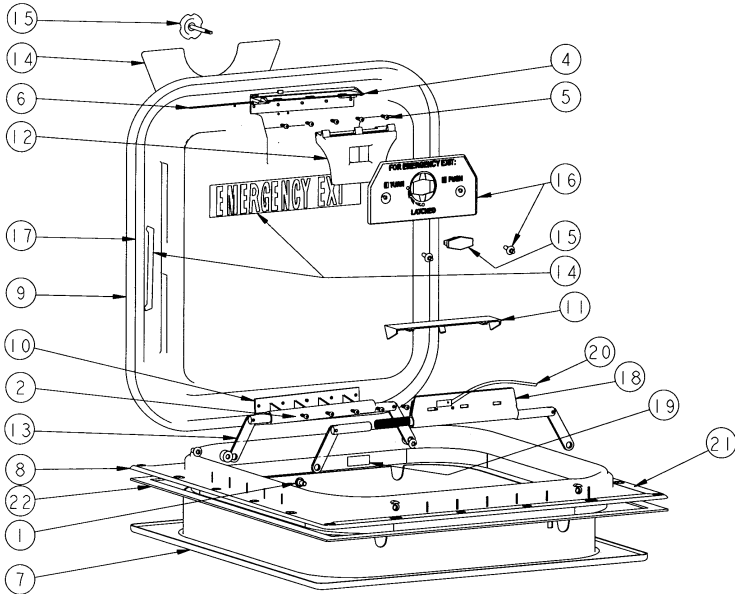
Item No.	Part No.	Vendor No.	Description
	56001235		Hatch Asm., Roof Escape, Low Profile, Econo Safety Vent Bilingual Instructions English/French
1	56000105	2030	Shoulder Bolt
2	56000106	2040	Plunger Spring
4	56000100	2070	Handle Base
5	56000111	2100	Special Screw, Torx Hi-Lo
6	56001239	2140	Hinge Pin
7	56001240	2220-28	#28 Trim Modling
8	56001241	2247	#28 Mounting Frame, Low Profile
9	Unavailable	1925	Econo Vent Lid w/ OSR (Low Profile)
10	Unavailable	2050	Fixed Hinge
11	56001242	2055	Hinge Cover
12	56001243	1000-003	Release Handle Asm. (OSR)
13	56001244	1000-005	Link & Plunger Asm.
15	56001246	1000-031	Outside Release Asm. (Low Profile)
16	56001247	1000-015	Release Handle Shield Asm.
17	56001248	1900-009	Extruded Gasket Kit
18	56001249	1000-018	Release Hinge w/ Alarm Switch
19	56001250	2686	Decal, Econo Safety Vent
20	56001251	2300	Nylon Tube Clamp
21	56001252	2495	White Retro-reflective Stripping
22	56001253	2002	Adhesive Sealant





Transpec Roof Hatches

56001237

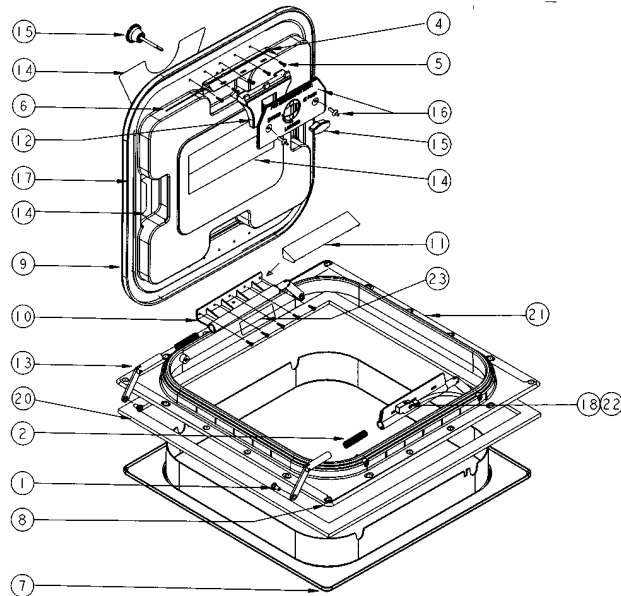


Item No.	Part No.	Vendor No.	Description
	56001237		Hatch Asm., Roof Escape, Low Profile, Econo Safety Vent W/ OSR, Alarm & English Instructions
1	56000105	2030	Shoulder Bolt
2	56000106	2040	Plunger Spring
4	56000100	2070	Handle Base
5	56000111	2100	Special Screw, Torx Hi-Lo
6	56001239	2140	Hinge Pin
7	56001240	2220-28	#28 Trim Modling
8	56001241	2247	#28 Mounting Frame, Low Profile
9	Unavailable	1925	Econo Vent Lid w/ OSR (Low Profile)
10	Unavailable	2050	Fixed Hinge
11	56001242	2055	Hinge Cover
12	56001243	1000-003	Release Handle Asm. (OSR)
13	56001244	1000-005	Link & Plunger Asm.
15	56001246	1000-031	Outside Release Asm. (Low Profile)
16	56001247	1000-015	Release Handle Shield Asm.
17	56001248	1900-009	Extruded Gasket Kit
18	56001249	1000-018	Release Hinge w/ Alarm Switch
19	56001250	2686	Decal, Econo Safety Vent
20	56001251	2300	Nylon Tube Clamp
21	56001252	2495	White Retro-reflective Stripping
22	56001253	2002	Adhesive Sealant

# ROOF HATCH

## Transpec Roof Hatches

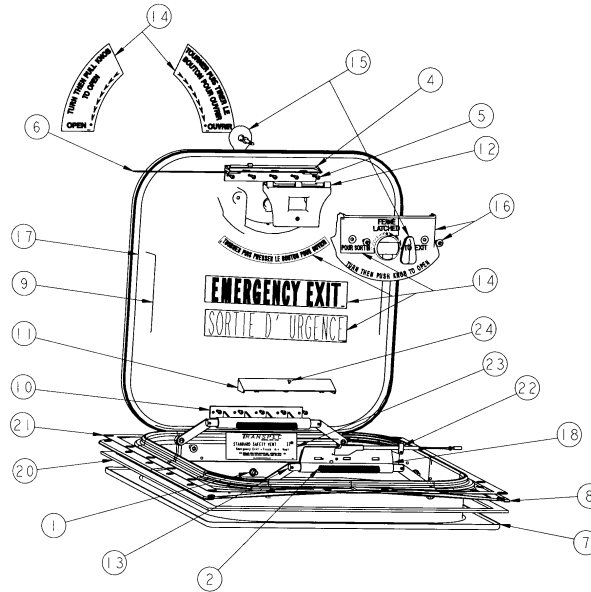
56001238



Item No.	Part No.	Vendor No.	Description
	56001238		Hatch Asm., Roof Escape, Low Profile, Triple Value Safety Vent W/ OSR, Alarm & English Instructions
1	56000105	2030	Shoulder Bolt
2	56000106	2040	Plunger Spring
4	56000100	2070	Handle Base
5	56000111	2100	Special Screw, Torx Hi-Lo
6	56001239	2140	Hinge Pin
7	56001240	2220-28	#28 Trim Modling
8	56001255	2257	#28 Mounting Frame, Low Profile
9	Unavailable	1100	Triple Value Vent Lid w/ OSR (Low Profile)
10	Unavailable	2050	Fixed Hinge
11	56001242	2055	Hinge Cover
12	56001243	1000-003	Release Handle Asm. (OSR)
13	56001244	1000-005	Link & Plunger Asm.
15	56001262	1000-014	Outside Release Asm. (Low Profile)
16	56001247	1000-015	Release Handle Shield Asm.
17	56001263	1000-017	Extruded Gasket Kit
18	56001249	1000-018	Release Hinge w/ Alarm Switch
19	56001253	2002	Adhesive Sealant
20	56001252	2495	White Retro-reflective Stripping
21	56001251	2300	Nylon Tube Clamp
22	56001256	2680	Decal, Triple Value Safety Vent

## Transpec Roof Hatches

56001341

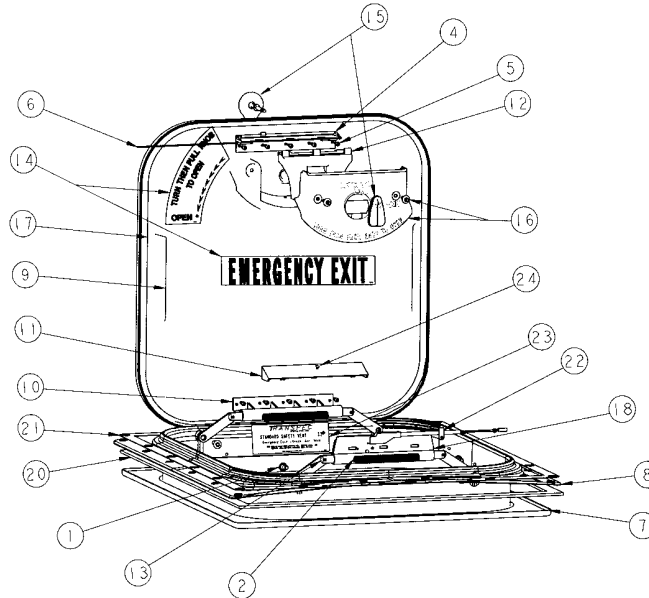


Item No.	Part No.	Vendor No.	Description
	56001341		Hatch Asm., Roof Escape, Transpec, Next Generation, Standard Safety Vent W/ OSR, Alarm English/French Instructions
1	56000105	2030	Shoulder Bolt
2	56000106	2040	Plunger Spring
4	56000100	2070	Handle Base (White)
5	56000111	2100	Special Screw, Torx Hi-Lo
6	56001239	2140	Hinge Pin
7	56001346	2220-28-001	#28 Trim Modling, (White)
8	56001254	2247001	#28 Mounting Frame, (White)
9	Unavailable	1975	Triple Value Vent Lid w/ OSR (White)
10	Unavailable	2050	Fixed Hinge (White)
11	56001242	2055	Hinge Cover (White)
12	56001243	1000-003	Release Handle Asm. OSR (White)
13	56001244	1000-005	Link & Plunger Asm.
15	56001349	1976-014	Outside Release Asm. (White)
16	56001350	1975-015	Release Handle Shield Asm. (White)
17	56001263	1000-017	Extruded Gasket Kit
18	56001249	1000-018	Release Hinge w/ Alarm Switch
21	56001252	2495	White Retro-reflective Stripping
24	56001352	2105	Screw, #8 x 1/2 LG, Flat Head, S/S

# ROOF HATCH

## Transpec Roof Hatches

56001343



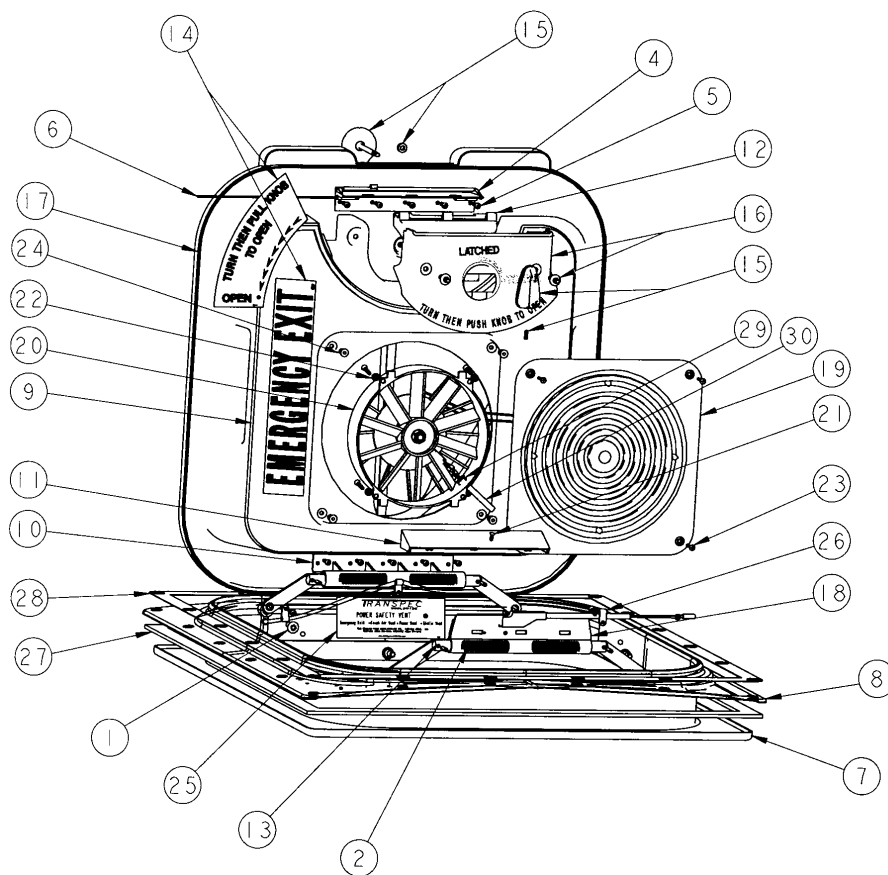
Item No.	Part No.	Vendor No.	Description
	56001343		Hatch Asm., Roof Escape, Transpec Next Generation, Standard Safety Vent OSR, Alarm English Instructions
1	56000105	2030	Shoulder Bolt
2	56000106	2040	Plunger Spring
4	56000100	2070	Handle Base (White)
5	56000111	2100	Special Screw, Torx Hi-Lo
6	56001239	2140	Hinge Pin
7	56001346	2220-28-001	#28 Trim Modling (White)
8	56001354	2247-001	#28 Frame (White)
9	Unavailable	1975	Standard Safety Vent Lid w/ OSR (White)
10	Unavailable	2050	Fixed Hinge (White)
11	56001242	2055	Hinge Cover (White)
12	56001243	1000-003	Release Handle Asm. (OSR) (White)
13	56001244	1000-005	Link & Plunger Asm. (White)
15	56001349	1976-014	Outside Release Asm.
16	56001350	1975-015	Release Handle Shield Asm. (White)
17	56001263	1000-017	Extruded Gasket Kit
18	56001249	1000-018	Release Hinge w/ Alarm Switch
21	56001252	2495	White Retro-reflective Stripping
24	56001352	2105	Screw, #8 x 1/2 LG. Flat Head, S/S

**This page intentionally left blank.**

# ROOF HATCH

## Transpec Roof Hatches

56001342



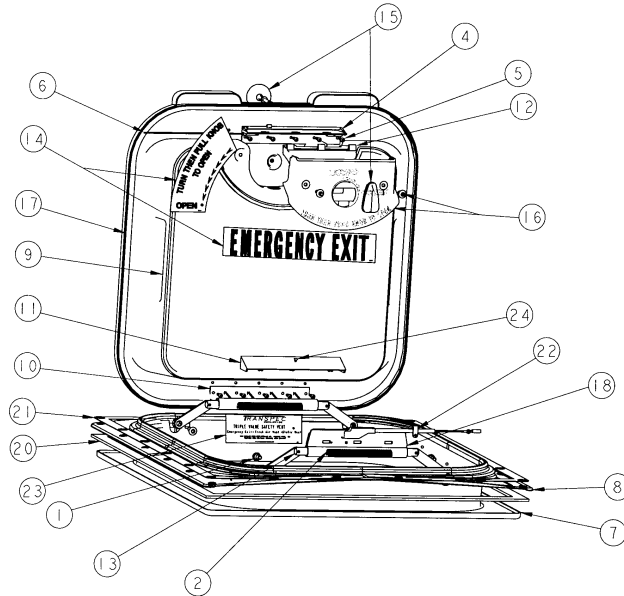
## Transpec Roof Hatches

Item No.	Part No.	Vendor No.	Description
	56001342		Hatch Asm., Roof Escape, Transpec Next Generation, Safety Vent W/ OSR, Alarm English Instructions
1	56000105	2030	Shoulder Bolt
2	56000106	2040	Plunger Spring
4	56000100	2070	Handle Base (White)
5	56000111	2100	Special Screw, Torx Hi-Lo
6	56001239	2140	Hinge Pin
7	56001346	2220-28-001	#28 Trim Modling (White)
8	56001347	2257-001	#28 Frame (White)
9	Unavailable	1675	Power Vent Lid w/ OSR (White)
10	Unavailable	2050	Fixed Hinge (White)
11	56001242	2055	Hinge Cover (White)
12	56001243	1000-003	Release Handle Asm. (White)
13	56001244	1000-005	Link & Plunger Asm.
15	56001349	1976-014	Outside Release Asm, (White)
16	56001350	1975-015	Release Handle Shield Asm. (White)
17	56001263	1000-017	Extruded Gasket Kit
18	56001249	1000-018	Release Hinge w/ Alarm Switch (White)
19	56001360	1602	Power Vent Grill (White)
20	56001361	2941-001	8" Straight Blade Fan, 12V w/ Terminals
21	56001352	2105	Screw, #8 x 1/2 LG. Truss Head, S/S
22	56001362	2195	Nylon Shoulder Washer
23	56001363	2966	Screw, #6 -32 x 3/4 LG. Truss Head, S/S
24	56001364	2965	Well Nut, #6 - 32
25	56001270	2685	Power Safety Vent Decal
28	56001252	2495	White Retro-reflective Stripping
29	56001365	4584	Instulating Bushing
30	56001366	2167-001	Cord Assembly

# ROOF HATCH

## Transpec Roof Hatches

56001344

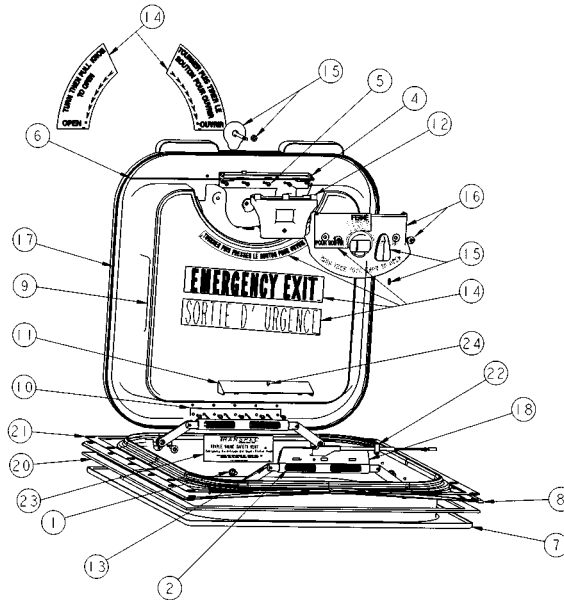


Item No.	Part No.	Vendor No.	Description
	56001344		Hatch Asm., Roof Escape, Transpec Next Generation, Triple Value Safety Vent OSR, Alarm English Instructions
1	56000105	2030	Shoulder Bolt
2	56000106	2040	Plunger Spring
4	56000100	2070	Handle Base (White)
5	56000111	2100	Special Screw, Torx Hi-Lo
6	56001239	2140	Hinge Pin
7	56001346	2220-28-001	#28 Trim Modling (White)
8	56001347	2257-001	#28 Frame (White)
9	Unavailable	1175	Triple Value Safety Vent Lid w/ OSR (White)
10	Unavailable	2050	Fixed Hinge (White)
11	56001242	2055	Hinge Cover (White)
12	56001243	1000-003	Release Handle Asm. (OSR) (White)
13	56001244	1000-005	Link & Plunger Asm. (White)
15	56001349	1976-014	Outside Release Asm. (White)
16	56001350	1975-015	Release Handle Shield Asm. (White)
17	56001263	1000-017	Extruded Gasket Kit
18	56001249	1000-018	Release Hinge w/ Alarm Switch
21	56001252	2495	White Retro-reflective Stripping
24	56001352	2105	Screw, #8 x 1/2 LG. Flat Head, S/S



## Transpec Roof Hatches

56001345



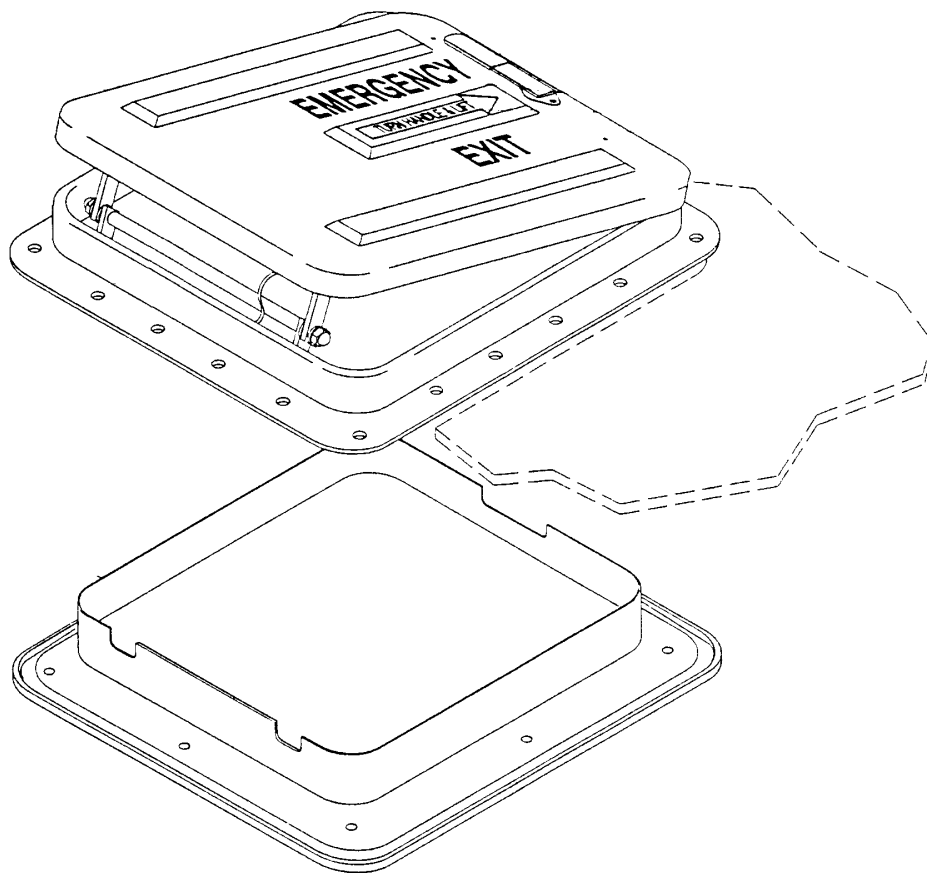
Item No.	Part No.	Vendor No.	Description
	56001345		Hatch Asm., Roof Escape, Transpec Next Generation, Triple Value Safety Vent OSR, Alarm English/French Instructions
1	56000105	2030	Shoulder Bolt
2	56000106	2040	Plunger Spring
4	56000100	2070	Handle Base (White)
5	56000111	2100	Special Screw, Torx Hi-Lo
6	56001239	2140	Hinge Pin
7	56001346	2220-28-001	#28 Trim Modling (White)
8	56001347	2257-001	#28 Frame (White)
9	Unavailable	1175	Triple Value Safety Vent Lid w/ OSR (White)
10	Unavailable	2050	Fixed Hinge (White)
11	56001242	2055	Hinge Cover (White)
12	56001243	1000-003	Release Handle Asm. (OSR) (White)
13	56001244	1000-005	Link & Plunger Asm. (White)
15	56001349	1976-014	Outside Release Asm. (White)
16	56001350	1975-015	Release Handle Shield Asm. (White)
17	56001263	1000-017	Extruded Gasket Kit
18	56001249	1000-018	Release Hinge w/ Alarm Switch
21	56001252	2495	White Retro-reflective Stripping
24	56001352	2105	Screw, #8 x 1/2 LG. Flat Head, S/S

# ROOF HATCH

---

## Specialty Roof Hatches

56000303, 56000720, 56000723,  
56000840, 56000847, 56000849,  
56000849, 56000851, & 56000886



## Specialty Roof Hatches

Part No.	Description
56000303	Hatch - Roof Escape, Low Profile, W/ Pop-Up Feature (8650-12-04)
85560055	Microswitch - Alarm
85560059	Handle - Interior, Asm.
85560061	Trim - Ring, Inside, Asm.
85560063	Linkage - Pop-Up, Asm.
85560064	Decal - Set, English
85560066	Strike - Insert
85560072	Cam - Handle
85560073	Rubber - Gasket
85560074	Cover - Microswitch
85560075	Decal - Set, French/English
85560080	Mounting - Frame, Asm.
85560105	Handle - Exterior, Asm.
85560106	Top - Asm.

Part No.	Description
56000720 & 56000841	Hatch - Roof Escape, Pop-Up Feature, Buzzer Switch Equipped
SMA 8639	Microswitch - for Alarm
SMA 8943	Cover - Microswitch
SMA 8741	Asm. - Inside Trim Ring
SMA 8819	Cable, 6', Alarm
SMA 8930	Decal Set - English
SMA 8934	Decal Set - French/English
SMA 8956	Rear Support, Nylon
SMA 8959	Rubber Gasket
SMA 8812	Cam - for Handle
SMA 8582	Assembly - Exterior Handle
SMA 8986	Assembly - Front spring w/ Hardware (each)
SMA 8678K	Rubber Gasket
SMA 8810	Interior Handle

Part No.	Description
56000723	Hatch - Roof Escape, Emergency Exit, Pop-Up Vent, Buzzer Switch Equipped
SMA 8617	Strike Insert
SMA 8639	Microswitch Alarm
SMA 8641	Rubber Gasket
SMA 8644	Decal Set - English
SMA 8727	Cover - Microswitch
SMA 8731	Asm. - Linkage, Pop-Up
SMA 8734	Decal Set - French/English
SMA 8580	Asm. - Exterior Handle
SMA 8823	Asm. - Inside Trim Ring
SMA 8810	Interior Handle
SMA 8811	Cam - Handle

Part No.	Description
56000847	Hatch - Roof Escape, Low Profile, W/ Pop-Up Feature
SMA 8617	Strike Insert
SMA 8622-1	Asm. - Interior Handle
SMA 8623	Cam - Handle
SMA 8639	Microswitch - Alarm
SMA 8641	Rubber Gasket
SMA 8644	Decal Set - English
SMA 8727	Cover - Microswitch
SMA 8731	Asm. - Linkage, Pop-Up
SMA 8734	Decal Set - French/English
SMA 8754	Asm. - Exterior Handle
SMA 8823	Asm. - Inside Trim Ring

# ROOF HATCH

## Specialty Roof Hatches

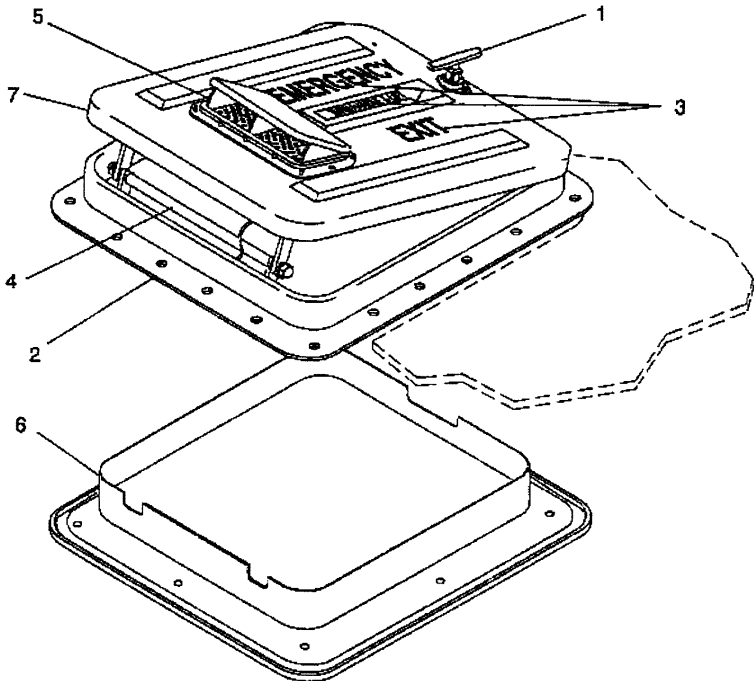
Part No.	Description
56000849	Hatch - Roof Escape, Pop-Up Feature, w/ Static Vent
SMA 8639	Microswitch
SMA 8727	Cover - Microswitch
SMA 8741	Asm. - Inside Trim Ring
SMA 8822-1	Asm. - Interior Handle
SMA 8927	Cable, 6', Alarm
SMA 8929	Frame, Mounting, Fan
SMA 8930	Kit - Decals
SMA 8931	Cable - Safety
SMA 8956	Rear Support, Nylon
SMA 8959	Rubber Gasket
SMA 8966	Asm. - Exterior Handle
SMA 8986	Asm. - Front Spring w/ Hardware (each)
SMA 8987	Kit - Rear Linkage Asm.

Part No.	Description
56000851	Hatch - Roof Escape, Pop-Up Vent, Buzzer Switch Equipped
SMA 8561	Lid Asm. - 8650's
SMA 8580	Sub Asm. - O/S Handle
SMA 8641	O-Ring - Roof Hatch Handle
SMA 8811	Cam - Handle Shaft
SMA 8810	Handle - Interior, Red, Roof
SMA 8639	Microswitch
SMA 8727	Cover - Microswitch
SMA 8731	Asm. - Linkage, Pop-Up
SMA 8734	Decal Set
SMA 8823	Asm. Interior Trim Ring

Part No.	Description
56000886	Hatch - Roof Escape, Pop-Up Vent, Buzzer Switch Specialty
SMA 8639	Microswitch Alarm
SMA 8741	Asm. - Inside Trim Ring
SMA 8819	Cable, 6', Alarm
SMA 8930	Decal Set - English
SMA 8934	Decal Set - French/English
SMA 8562	Asm. - Top, Model 8945
SMA 8956	Rear Support, Nylon
SMA 8959	Rubber Gasket
SMA 8812	Cam - for Handle
SMA 8582	Asm. - Exterior Handle
SMA 8986	Asm. - Front Spring w/ Hardware (each)
SMA 8678K	Kit - Rear Linkage
SMA 8810	Interior Handle
SMA 8943	Cover - Microswitch

Specialty Roof Hatches

56001284

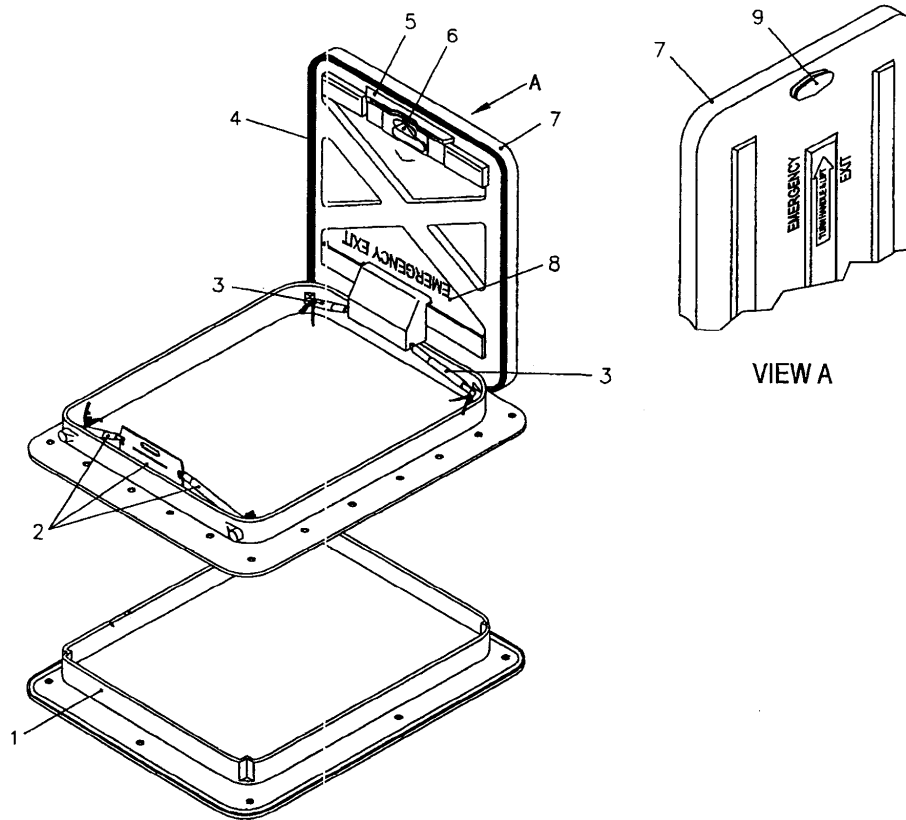


Part No.	Description
56001284	Hatch - Roof, w/ Pop-Up Vent w/ buzzer Switch (8640B-1204)
85560058	Exterior - Handle, Asm.
85560059	Interior - Handle, Asm.
85560072	Cam - Handle
85560066	Strike - Insert
85560055	Microswitch - Alarm
85560074	Cover - Microswitch
85560080	Mounting - Frame, Asm.
85560064	Decal, English
85560063	Linkage - Pop-Up, Asm.
85560065	Kit - 2-Way Screened Vent
85560057	Knob - Black Vent
SMA 8823	Decal, English/French
85560082	Top - Assembly
85560073	Rubber - Gasket, Seal

# ROOF HATCH

## Specialty Roof Hatches

56001292



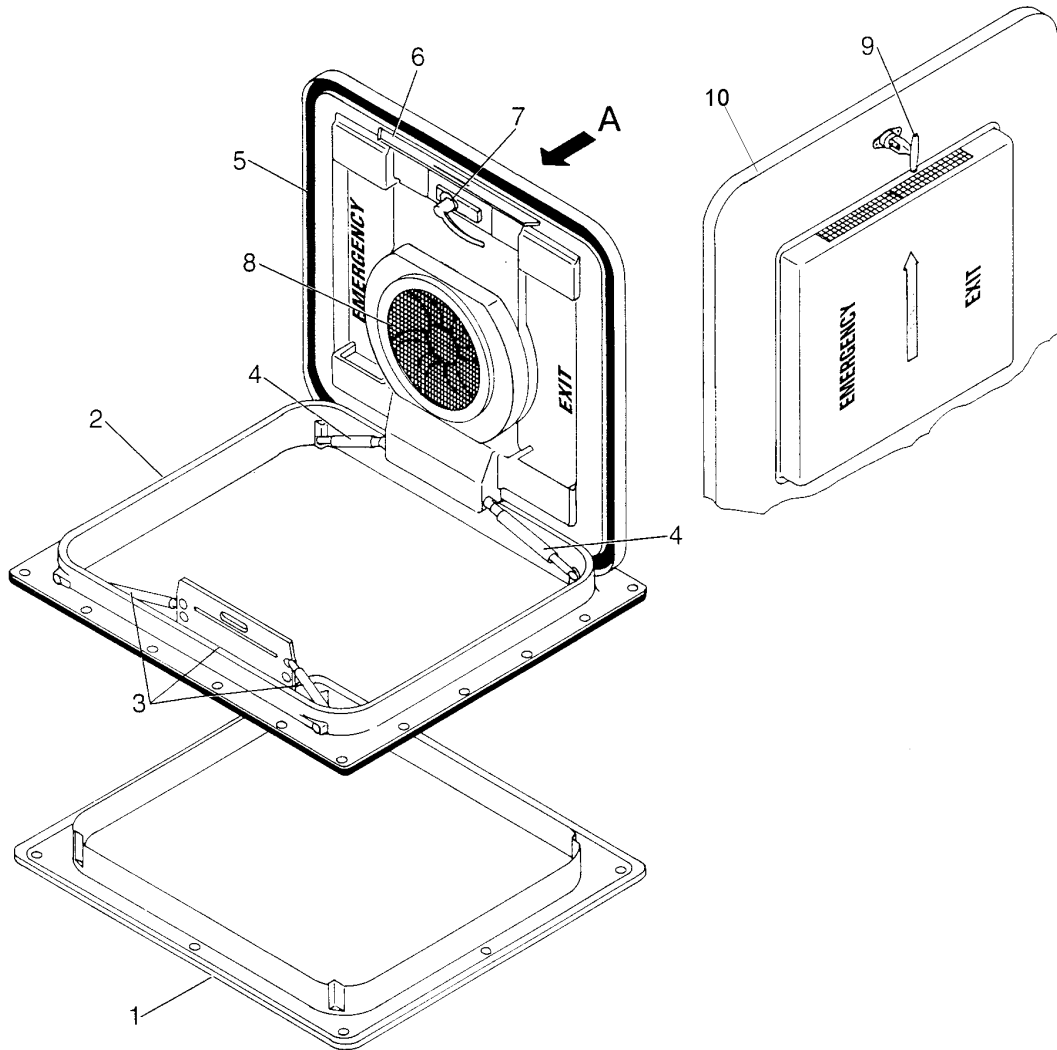
Part No.	Description
56001292	Hatch - Roof, w/ Pop-Up Vent w/ buzzer Switch (8640B-1204)
SMA 8741	Asm. - Inside Trim Ring
SMA 8678K	Kit - Rear Linkage Asm.
SMA 8986	Asm. - Front Springs w/ Hardware (each
SMA 8959	Rubber Gasket
SMA 8956	Rear Support, Nylon, White
SMA 8810	Interior Handle (optional)
SMA 8562	Asm. - Top Model 8945, White
SMA 8930	Decal Set - English
SMA 8582	Handle Kit
SMA 8947	French/English
<b>Not Shown:</b>	
SMA 8639	Microswitch (optional)
SMA 8943	Cover Microswitch
SMA 8819	Cable - Alarm
SMA 8934	Deca Set - French/English
SMA 8812	Cam - for Handle

**This page intentionally left blank.**

# ROOF HATCH

## Specialty Roof Hatches

56000347, 56000722, & 56000843





## Specialty Roof Hatches

Item No.	Part No.	Description
	56000347	Hatch Asm., Roof Escape, Transpec Next Generation, Triple Value Safety Vent OSR, Alarm English/French Instructions
1	85560087	Trim - Ring, Inside, Asm.
2	85651802	Mounting - Frame
3	85560098	Kit - Rear linkage Asm.
4	85560097	Asm. - Front springs w/ Hardward
5	85560094	Rubber - Gasket
6	85560093	Rear - Support, Nylon
7	85651805	Asm. - Interior Handle
8	85651803	Fan - Single Speed
9	85650096	Asm. - Exterior handle
10	85651801	Asm. - Top

**Not Shown:**

85560089	Kit - Decals
85650238	Microswitch - Alarm
85560074	Cover - Microswitch
85560088	Cable - Alarm, 6'

Item No.	Part No.	Description
	56000722	Hatch, Roof Escape, Pop-Up Feature w/ Power Vent, Vandalock, w/ Buzzer Switch
1	85560087	Trim - ring, Inside, Asm.
2	85651802	Mounting - Frame
3	85560098	Kit - Rear linkage Asm.
4	85560097	Asm. - Front springs w/ Hardward
5	85560094	Rubber - Gasket
6	85560093	Rear - Support, Nylon
9	SMA 8582	Asm. Exterior Handle

**Not Shown:**

85560089	Kit - Decals
85650238	Microswitch - Alarm
85560074	Cover - Microswitch
85560088	Cable - Alarm, 6'
SMA 8810	Interior Handle
SMA 8811	Cam - Handle

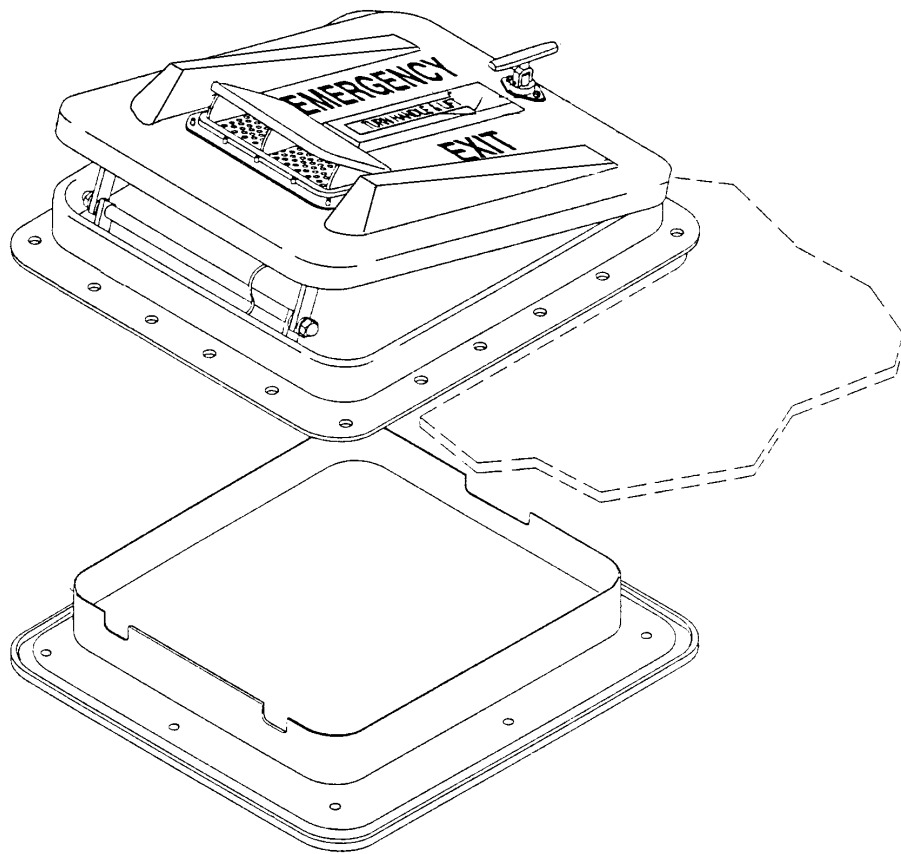
Part No.	Description
56000843	Hatch, Roof Escape, Pop-Up Feature w/ Power Vent, Vandalock, Buzzer Switch Equipped
SMA 8639	Microswitch
SMA 8727	Cover - Microswitch
SMA 8741	Asm. - Inside Trim Ring
SMA 8922-1	Asm. - Interior Handle
SMA 8927	Cable - Alarm, 6'
SMA 8928	Fan, Single Speed 12V
SMA 8929	Frame - Mounting, Fan
SMA 8931	Cable - Safety
SMA 8956	Rear Support, Nylon
SMA 8959	Rubber Gasket
SMA 8966	Asm. - Exterior Handle
SMA 8986	Asm. - Front Springs w/ Hardware (each)
SMA 8987	Kit - Rear Linkage Asm.

# ROOF HATCH

---

## Specialty Roof Hatches

56000727, 56000848, & 56000850



## Specialty Roof Hatches

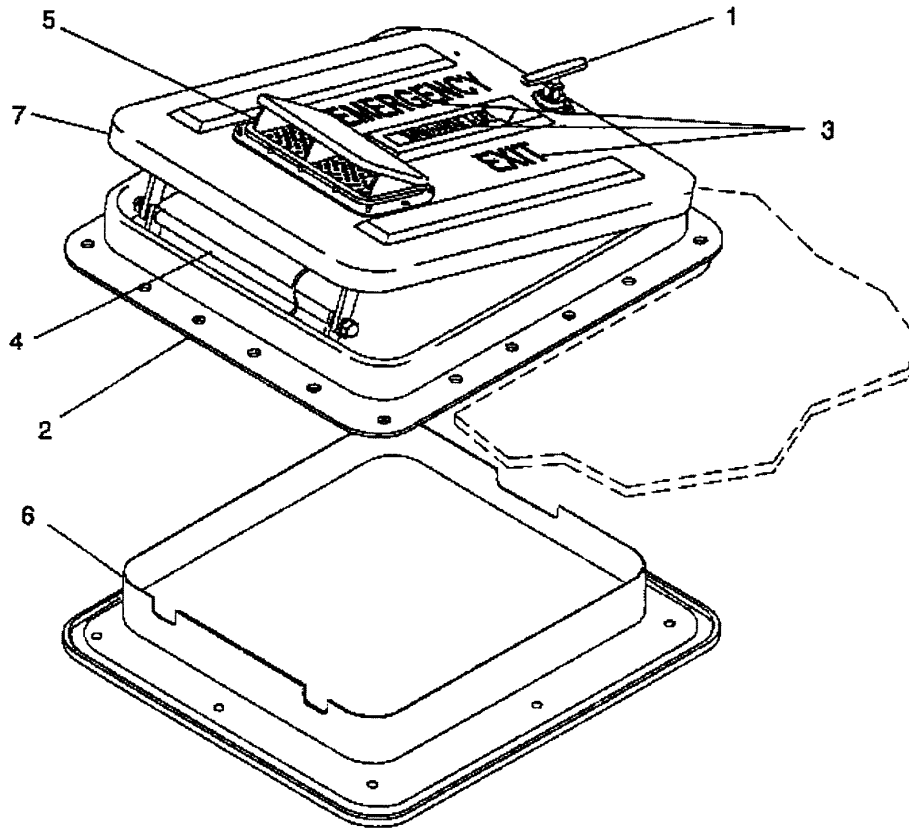
Part No.	Description
56000727 & 56000848	Hatch - Roof Escape, Multi-Position Vent, Vandalock, Buzzer Switch Equipped
SMA 8617	Strike Insert
SMA 8621-2	Asm. - Exterior Handle
SMA 8622-1	Asm. - Interior Handle
SMA 8623	Cam - for Handle
SMA 8626	Knob - Black Vent
SMA 8639	Microswitch - Alarm
SMA 8641	Rubber Gasket
SMA 8644	Decal - English
SMA 8727	Cover - Microswitch
SMA 8731	Asm. - Linkage, Pop-Up
SMA 8733	Kit - 2-Way Screened Vent
SMA 8734	Decal Set - French/English
SMA 8823	Asm. - Inside Trim Ring
SMA 8845	Asm. - Top, 8840, Complete

Part No.	Description
56000850	Hatch - Roof Escape, High Profile, w/ Screened Vent and Gasket
SMA 8617	Strike Insert
SMA 8621-2	Asm. - Exterior Handle
SMA 8622-1	Asm. - Interior Handle
SMA 8623	Cam - for Handle
SMA 8626	Knob - Black Vent
SMA 8639	Microswitch - Alarm
SMA 8641	Rubber Gasket
SMA 8644	Decal - English
SMA 8727	Cover - Microswitch
SMA 8731	Asm. - Linkage, Pop-Up
SMA 8733	Kit - 2-Way Screened Vent
SMA 8734	Decal Set - French/English
SMA 8823	Asm. - Inside Trim Ring
SMA 8845	Asm. - Top, 8840, Complete

# ROOF HATCH

## Specialty Roof Hatches

56000301, 56000719, 56000840, & 56000844



Part No.	Description
56000301	Hatch - Roof Escape, w/ Pop-Up Vent w/ Buzzer Switch
85560058	Asm. - Exterior Handle
85560059	Asm. - Interior Handle
85560072	Cam - for Handle
85560066	Strike - Insert
85560055	Microswitch - Alarm
85560074	Cover - Microswitch
85560080	Mounting - Frame Asm.
85560064	Decal - English
85560063	Asm. - Linkage, Pop-Up
85560065	Kit - 2-Way Screened Vent
85560057	Knob - Black Vent
85560075	Decal Set - French/English
85560061	Asm. - Inside Trim Ring
85560082	Asm. - Top
85560073	Rubber Gasket

Part No.	Description
56000719	Hatch - Roof Escape, Pop-Up Feature
56000840	Hatch - Roof Escape, Pop-Up Feature w/ Buzzer Switch Equipped
56000844	Hatch - Roof Escape, Emergency Exit, Pop-Up Vent Style Buzzer Equipped
SMA 8617	Strike Insert
SMA 8810	Asm. - Interior Handle
SMA 8623	Cam - for Handle
SMA 8626	Knob - Black Vent
SMA 8639	Microswitch - Alarm
SMA 8641	Rubber - Gasket
SMA 8644	Decal - English
SMA 8727	Cover - Microswitch
SMA 8731	Asm. - Linkage, Pop-Up
SMA 8733	Kit - 2-Way Screened Vent
SMA 8734	Decal Set - French/English
SMA 8823	Asm. - Inside Trim Ring
SMA 8811	Cam - Handle

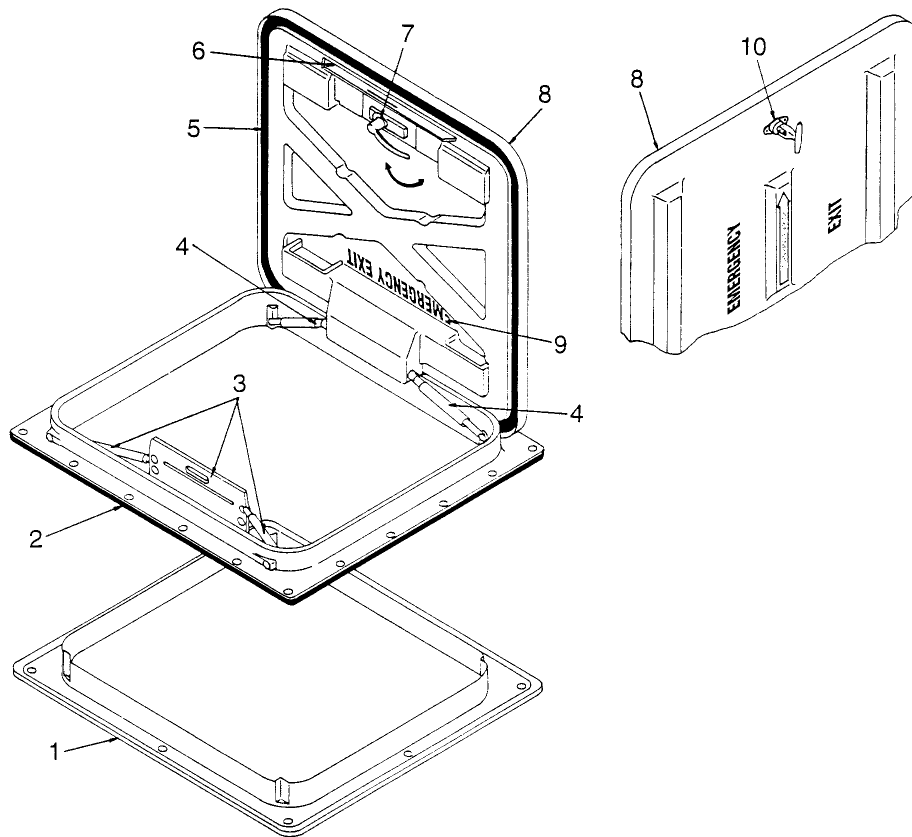
**This page intentionally left blank.**

# ROOF HATCH

---

## Specialty Roof Hatches

56000305, 56000838, 56000839, & 56001283



## Specialty Roof Hatches

Part No.	Description
56000305	Hatch - Roof Escape, Max. Air Flow w/ Buzzer Switch, White (8945-12-04)
85560087	Trim - Ring, Inside Asm., White
85560091	Mounting - Frame, Asm., White
85560098	Kit - Rear Linkage
85560097	Spring - Front, w/ Hardware, Asm.
85560094	Gasket - Rubber
85560093	Rear - Support, Nylon
85560059	Handle - Interior w/ Cam, Asm.
85560092	Top, Asm., White
85560089	Decal - Set, English
85560096	Handle - Exterior, Asm.
<b>Not Shown:</b>	
85650238	Mircoswitch - for Alarm
85560074	Cover - Microswitch
85560088	Cable - 6', Alarm

Part No.	Description
56000338	Hatch - Roof Escape, Max. Air Flow w/ Buzzer Switch, Gray (8945-G-02)
85651686	Trim - Ring, Inside Asm., White
85651687	Mounting - Frame, Asm., White
85560098	Kit - Rear Linkage
85560097	Spring - Front, w/ Hardware, Asm.
85560094	Gasket - Rubber
85560093	Rear - Support, Nylon
85560059	Handle - Interior w/ Cam, Asm.
85651688	Top, Asm., White
85560089	Decal - Set, English
85560096	Handle - Exterior, Asm.
<b>Not Shown:</b>	
85650238	Mircoswitch - for Alarm
85560074	Cover - Microswitch
85560088	Cable - 6', Alarm

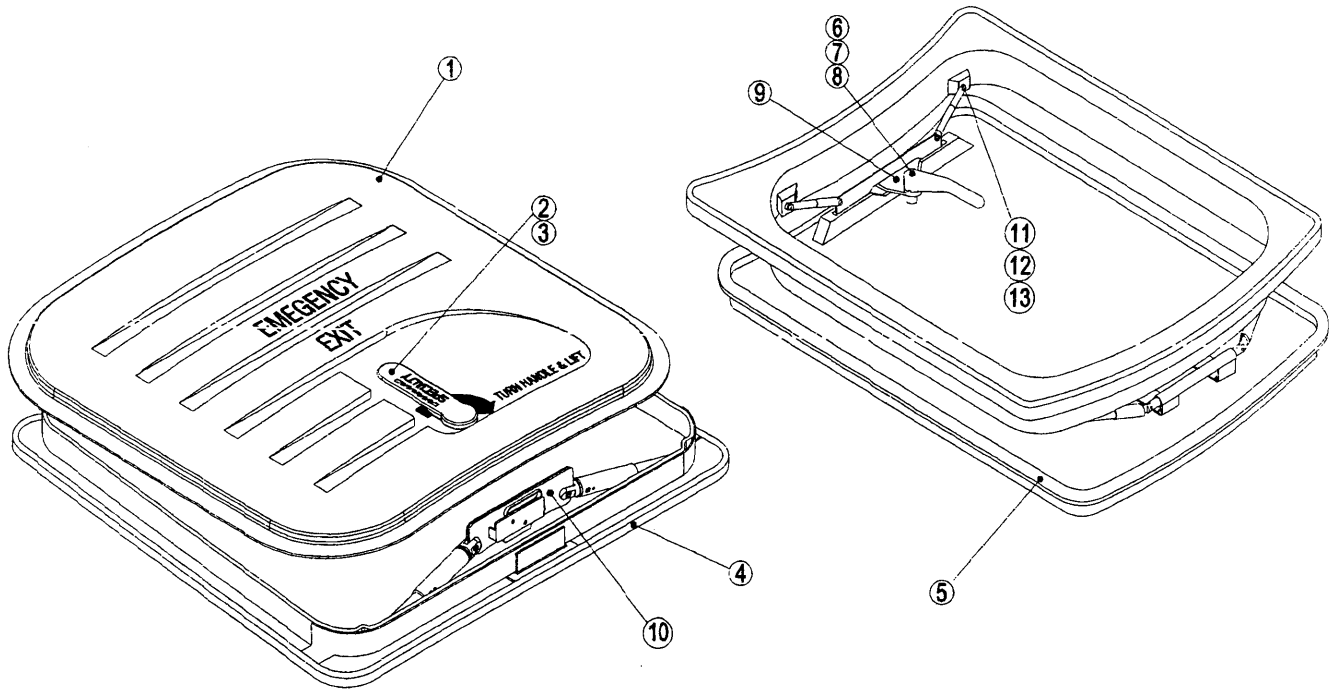
Part No.	Description
56000839	Hatch - Roof Escape, Specialty Air Flow, w/ Vandalock, Vented w/ Gasket
SMA 8617	Strike Insert
SMA 8621-2	Asm. - Exterior Handle
SMA 8622-1	Asm. - Interior Handle
SMA 8623	Cam - for Handle
SMA 8626	Knob - Black Vent
SMA 8639	Microswitch - Alarm
SMA 8641	Rubber Gasket
SMA 8644	Decal - English
SMA 8727	Cover - Microswitch
SMA 8731	Asm. - Linkage, Pop-Up
SMA 8733	Kit - 2-Way Screened Vent
SMA 8734	Decal Set - French/English
SMA 8823	Asm. - Inside Trim Ring

Part No.	Description
56001283	Hatch - Roof Escape, Specialty Air Flow, w/ Vandalock, Vented w/ Gasket
SMA 8617	Strike Insert
SMA 8621-2	Asm. - Exterior Handle
SMA 8622-1	Asm. - Interior Handle
SMA 8623	Cam - for Handle
SMA 8626	Knob - Black Vent
SMA 8639	Microswitch - Alarm
SMA 8641	Rubber Gasket
SMA 8644	Decal - English
SMA 8727	Cover - Microswitch
SMA 8731	Asm. - Linkage, Pop-Up
SMA 8733	Kit - 2-Way Screened Vent
SMA 8734	Decal Set - French/English
SMA 8823	Asm. - Inside Trim Ring

# ROOF HATCH

## Specialty Roof Hatches

56001293, 56001295, & 56001297





## Specialty Roof Hatches

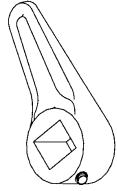
Part No.	Description
56001293	Hatch - Roof Escape, Prolo, (White)
SMA 8515	Spacer - Steel, .312 OD
SMA 8798	Screw 10 -24 x 3/4" Stainless Steel
SMA 8810	Handle - Interior Red, Roof
SMA 8812	Cam - Handle Shaft
SMA 8846	Screw, 1/4 - 20 x 1 Hex Head
SMA 8905	Washer, 3-Wave .321 x 7
SMA 9318	O-Ring, 3/4" OD
SMA 9319-05	Asm. - Lid Prolow, White
SMA 9320	Asm. - Trim Ring, Prolow
SMA 9321-5	O-Ring, Viton, 1" OD
SMA 8581	Handle / Shaft, Exterior
SMA 9327	Asm. - Spring Assist Plate
SMA 9392	Decal - English

Part No.	Description
56001295	Hatch - Roof Escape, Prolo, Bilingual Instruction English/French, (White)
SMA 8515	Spacer - Steel, .312 OD
SMA 0151	Nut - Lock, Thin Nylon
SMA 8798	Screw 10 -24 x 3/4" Stainless Steel
SMA 8810	Handle - Interior Red, Roof
SMA 8812	Cam - Handle Shaft
SMA 8846	Screw, 1/4 - 20 x 1 Hex Head
SMA 8892	Washer - Flat, 1/4 ID x 7
SMA 8905	Washer, 3-Wave .321 x .5
SMA 9318	O-Ring, 3/4" OD x 1/8"
SMA 8931	Cable - Safety, 8900
SMA 9319-05	Asm. - Lid Prolow, White
SMA 9320	Asm. - Trim Ring, Prolow
SMA 9321-5	O-Ring, Viton, 1" OD
SMA 9336	Handle / Shaft, Exterior
SMA 9393	Decal - French/English

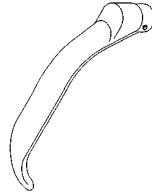
Part No.	Description
56001297	Hatch - Roof Escape, Prolo, w/o Buzzer, (White)
SMA 0151	Nut - Lock, Thin Nylon
SMA 8515	Spacer - Steel, .312 OD
SMA 8798	Screw 10 -24 x 3/4" Stainless Steel
SMA 8810	Handle - Interior Red, Roof
SMA 8812	Cam - Handle Shaft
SMA 8846	Screw, 1/4 - 20 x 1 Hex Head
SMA 8892	Washer - Flat, 1/4 ID x 7
SMA 8905	Washer, 3-Wave .321 x .5
SMA 8931	Cable - Safety, 8900
SMA 9318	O-Ring, 3/4" OD
SMA 9319-05	Asm. - Lid Prolow, White
SMA 9320	Asm. - Trim Ring, Prolow
SMA 9321-5	O-Ring, Viton, 1" OD
SMA 9336	Handle / Shaft, Exterior

# ROOF HATCH

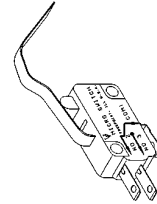
## Specialty Roof Hatch Components



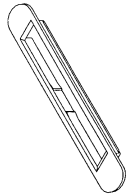
**85560072**



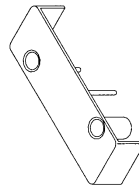
**85560059**



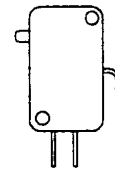
**85560055**



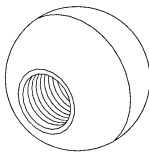
**85560066**



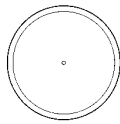
**85560074**



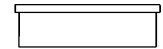
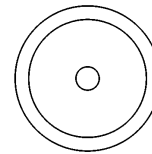
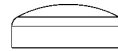
**85650238**



**85560057**



**60002844**  
**67000566**  
**67000567**



**67000569**

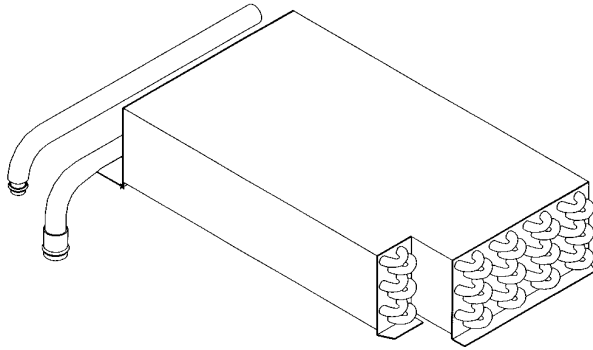
Part No.	Description	Used W/ Assembly Part No.
85560072	Cam - Handle	56000303, 56000301
85560059	Handle - Interior	56000303, 56000301, 56000305, 56000038
85560055	Micro-switch - Alarm	56000303, 56000301, 56000305, 56000338
85560066	Strike - Insert	56000303, 56000301
85560074	Cover - Micro-switch	56000303, 56000301, 56000305, 56000338, 56000347
85650238	Switch - Limit	56000305, 56000338, 56000347
85560057	Knob - Black Vent	56000301
60002844	Cover-Fastener, Snap-Cap, W/ 12/12 FB Washer, #170 (Morning Grey)	As Needed
67000566	Fastener Cover, 12/12 Snap Cap, #180 (Black)	As Needed
67000567	Fastener Cover, 12/12 Snap Cap, # 106 (Off White)	As Needed
67000569	Fastener Cover, 12/12 Snap Cap Washer Base, Flat BTM (Clear)	As Needed

## TABLE OF CONTENTS

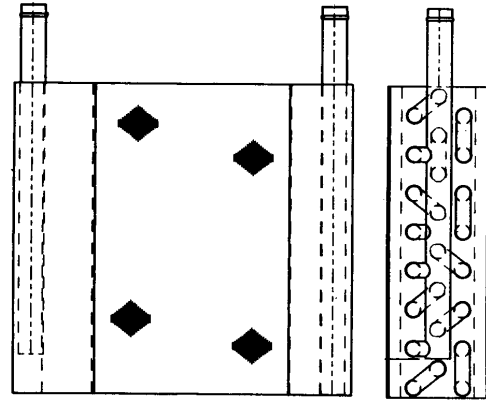
Bergstrom Heater Cores & Coils .....	16.2
Red Dot Heater Cores .....	16.10
Control Units and Control Cables .....	16.11
Filters .....	16.12
Motors .....	16.13
Remote Valves .....	16.14
Blower Wheels, Fan Blades, & Booster Pumps .....	16.16
Miscellaneous .....	16.17
Heater Chart .....	16.20

# HEATER

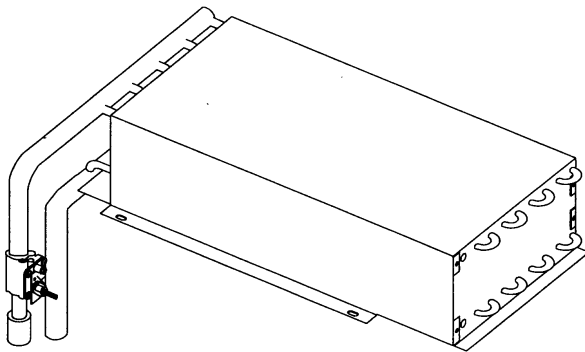
## Bergstrom Heater Cores & Coils



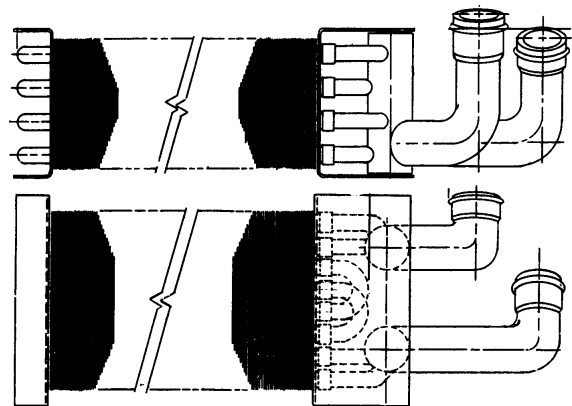
Part No.	Description
85660011	Core - Heater, #108230, Vista, Underdash, 2.375" x 8" x 16.25"



Part No.	Description
85660129	Coil - Heater, #108250, All★Star Footwarmer, 1.8" x 5" x 8"

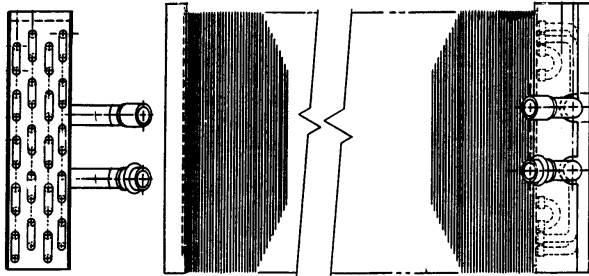


Part No.	Description
85660458	Core - Heater, W/Valve



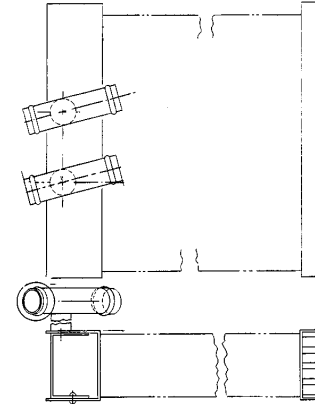
Part No.	Description
26022374	Core - Heater, 1064-2, New #11059, Driver's 20,000 BUT, 3" x 4" x 8.68"

## Bergstrom Heater Cores & Coils

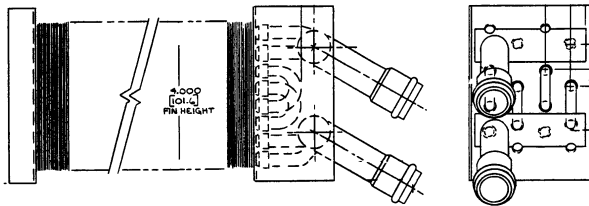


Part No.	Description
26056367	Core - Heater, #11062, Right Front, 87, 200 BTU, 2.5" x 10" x 20.18"

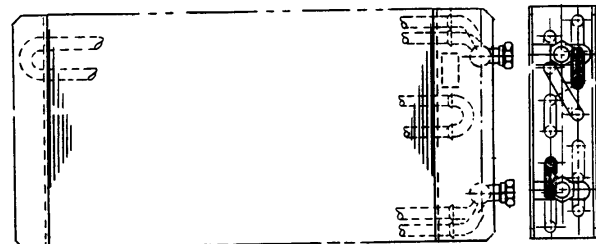
\* Dimensions reflect cooling surface only.



Part No.	Description
66000067	Core - Heater, High Pressure, #11030, 2.5" x 10 x 23.375"
66000152	Core - Heater, #11029, 10 x 20 3/4" x 2 1/2"

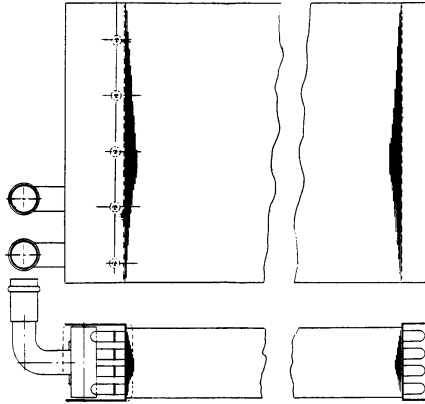


Part No.	Description
66000069	Core - Heater, Right Defroster 1064-1, New #11060, 20,000 BTU, 3" x 4" x 8.55"

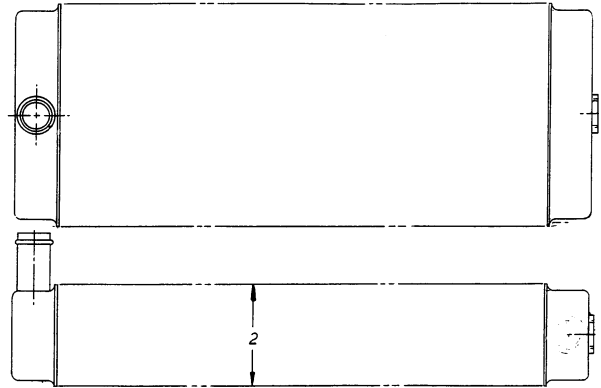


Part No.	Description
66000091	Core - Heater, Underseat, #11018 Chick Bus, 46,500 BTU, 2.16" x 8.75" x 16.7"

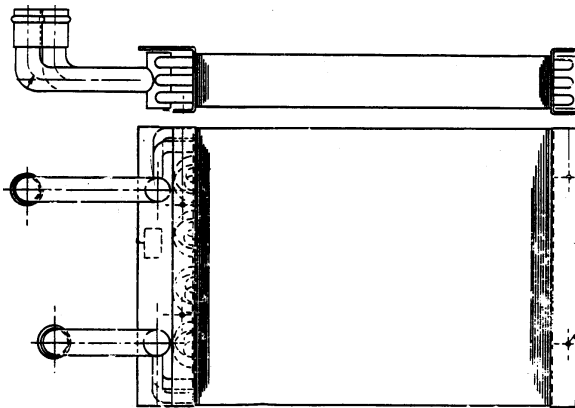
## Bergstrom Heater Cores & Coils



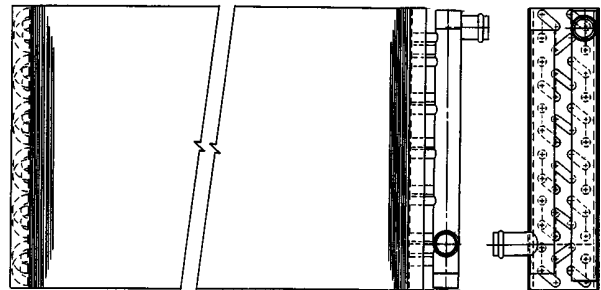
Part No.	Description
66000227	Core - Heater, #11040, 2.5" x 10" x 20.75"



Part No.	Description
66000230	Core - Heater, #10850, Under Wheel Chair, Low Profile, 32,000 BTU, 2" X 4.375" X 11.375"



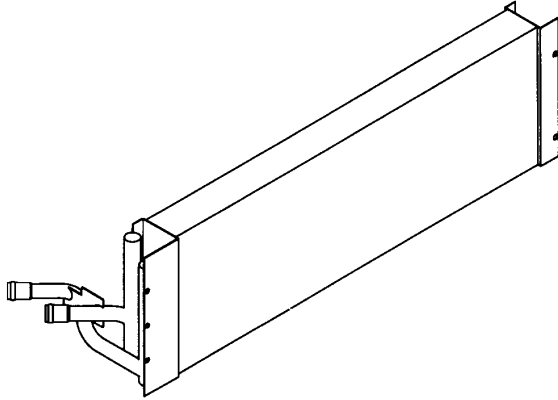
Part No.	Description
66000286	Core - Heater, #11044, 1.88" x 10" x 19.88"



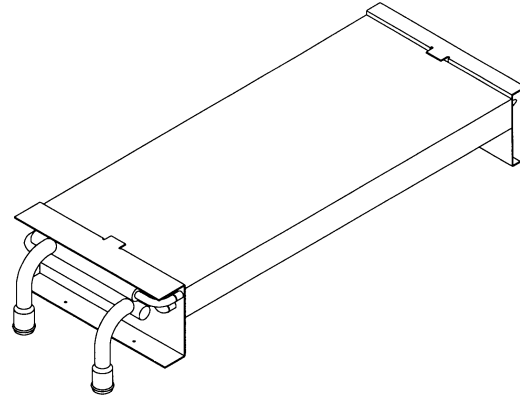
Part No.	Description
66000289	Core - Heater, #11054, 2.5" x 12" x 25.25"

\* Dimensions reflect cooling surface only.

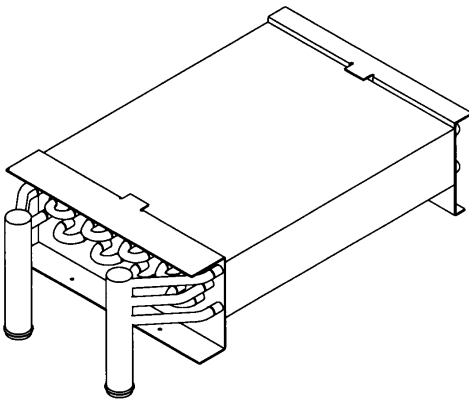
## Bergstrom Heater Cores & Coils



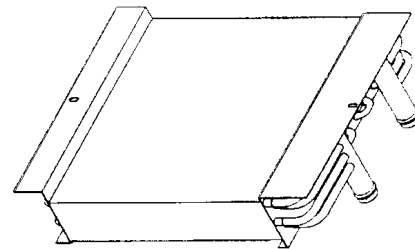
Part No.	Description
85660010	Core - Heater, #108235, 1990 Low Windshield, 101,000 BTU, 2.5" x 10" x 30.34"



Part No.	Description
85660377	Coil - Heater, #108275, Underseat, 84,000 BTU, Twin Fan, 1.73" x 10" x 22.6"



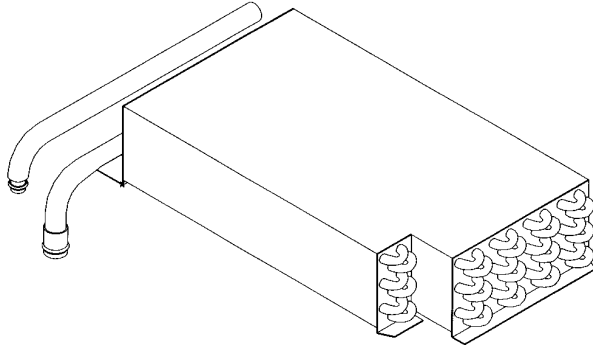
Part No.	Description
85660384	Coil - Heater, #108274, Underseat, 50,000 BTU, 2.59" x 10" x 12.33"
85660062	Coil - Heater, #11046, 12" x 12 1/8" x 2 1/2"



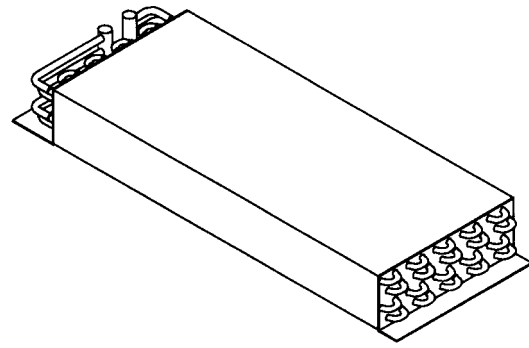
Part No.	Description
85660296	Coil - Heater, #108271, Stepwell, 52,000 BTU, 2.5" x 12" x 12 1/8"
66000068	Core - Heater, High Pressure, #11009, 12" x 12 1/2" x 2 1/2"

# HEATER

## Bergstrom Heater Cores & Coils

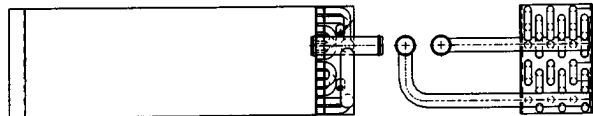


Part No.	Description
85660100	Coil - Heater, #108246, All★Star, Right Side Defroster, 3.75" x 10" x 17.36"

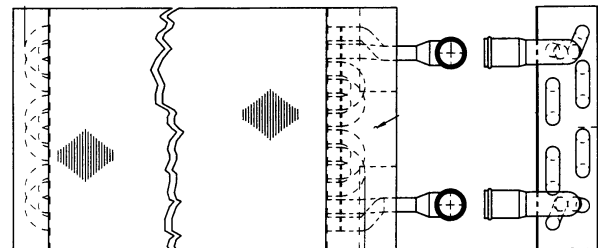


Part No.	Description
85660244	Coil - Heater, #108259, Left Side Heater/Defrost, 93,000 BTU, Fresh Air, 3.5" x 10" x 24"

\* Dimensions reflect cooling surface only.



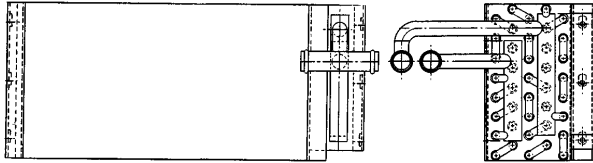
Part No.	Description
85660171	Coil - Heater, #108239, Vista, Left Side, 50,000 BTU, 3.75" x 6" x 16.36"



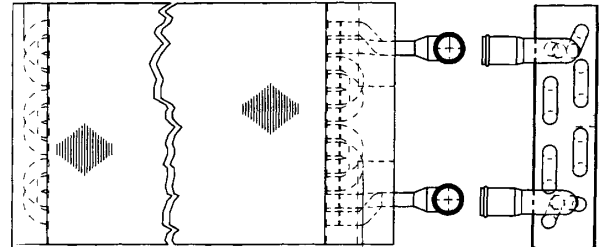
Part No.	Description
85660053	Core - Heater, 34K Underseat, Straight Leg #108248



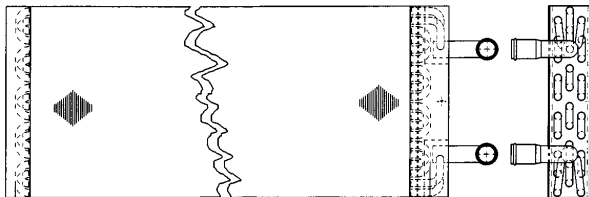
## Bergstrom Heater Cores & Coils



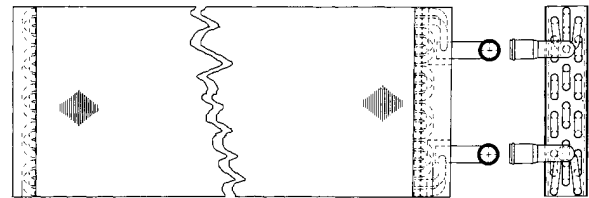
Part No.	Description
85660012	Core - Heater, #108231, Vista, Underseat, 4.33" x 8" x 14.719"



Part No.	Description
85660052	Coil - Heater, #108241, Underseat, Straight Leg, 68,000 BTU, Twin Fan, 1.22" x 8.75" x 18.9"



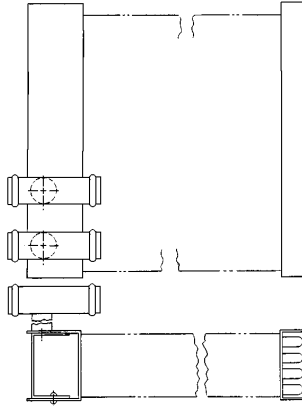
Part No.	Description
85660056	Coil - Heater, #108249, Underseat (No Longer Available)
66001751	Coil - Heater - Underseat, 54K BTU Assembly (Replaces 85660056)



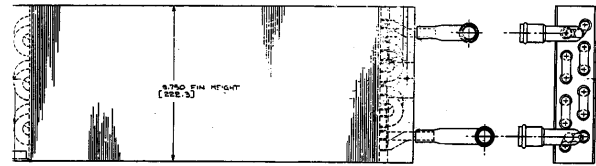
Part No.	Description
85660098	Coil - Heater, #108242, Underseat, Straight Leg, 84,000 BTU, 1.87" x 10" x 19.75"

\* Dimensions reflect cooling surface only.

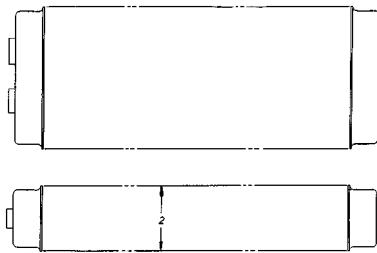
## Bergstrom Heater Cores & Coils



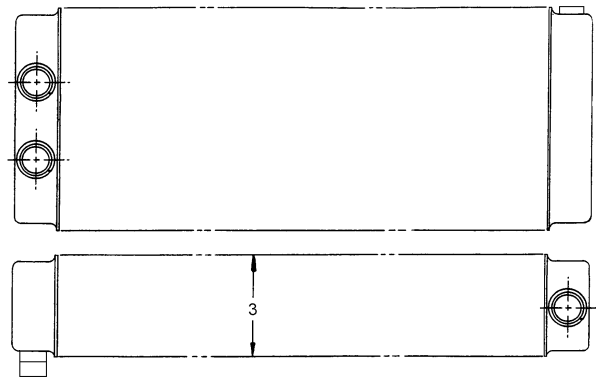
Part No.	Description
66000284	Core - Heater, #11053, 10" x 23 5/16" x 2 1/2"



Part No.	Description
26023374	Core - Heater, #110080, 2.16" x 8.75" x 19.562"
66000274	Core - Heater, #11038, 19 9/16" x 8 3/4" x 2 5/32"

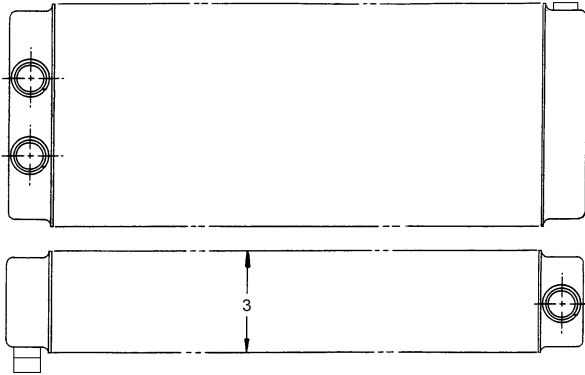


Part No.	Description
26015377	Core - Heater, #10950, 10 1/2" x 20 3/8" x 3 5/16"



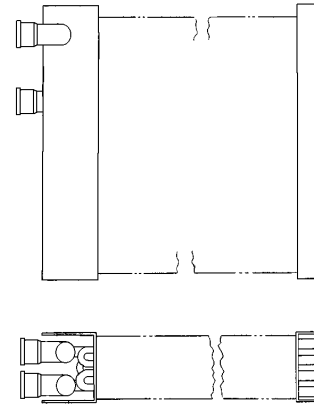
Part No.	Description
26057370	Core - Heater, #1072, 10 1/2" x 20 1/2" 3 5/16"

## Bergstrom Heater Cores & Coils

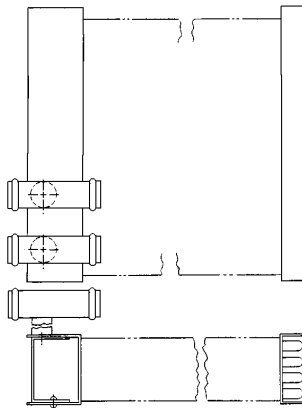


Part No.	Description
26058370	Core - Heater, #1073, 10 1/2" x 23 1/8" x 3 5/16"

\* Dimensions reflect cooling surface only.

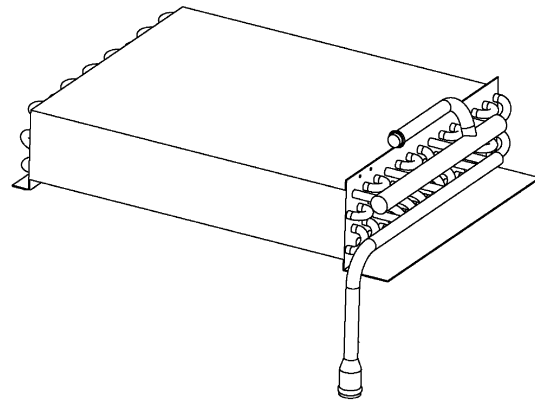


Part No.	Description
26008378	Core - Heater, 10931, 12" x 20 3/4" x 2 1/2"



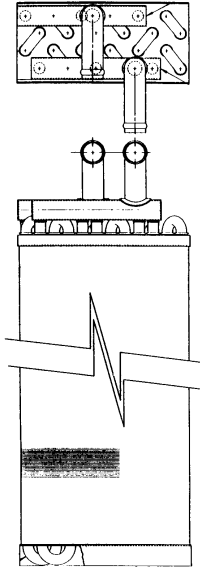
Part No.	Description
66000283	Core - Heater, #11052, 10" x 20 3/4" x 2 3/4"

\* Dimensions reflect cooling surface only.

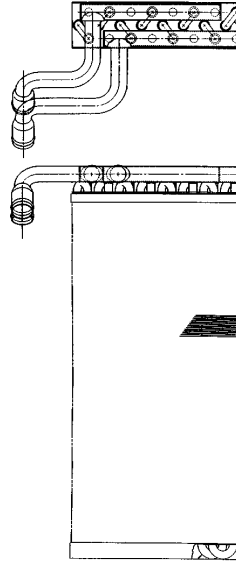


Part No.	Description
BSM 108346	Core - Heater, Component of 66004748, 66004896, 66005030 Heater Assemblies

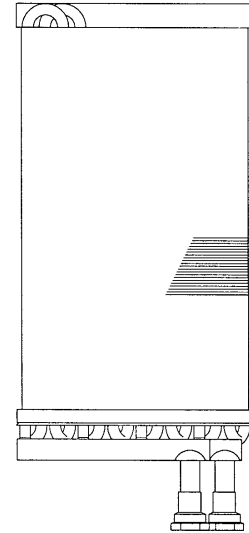
## Red Dot Heater Cores



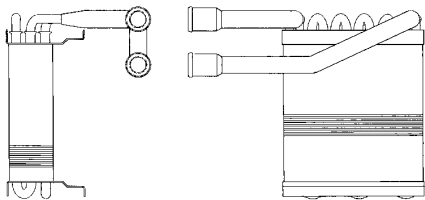
Part No.	Description
85660088	Core - Heater, RD-1-0837, 2.75" x 6.1" x 17.81"



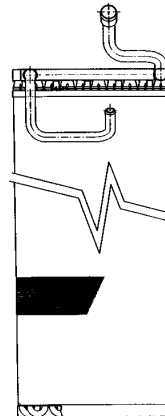
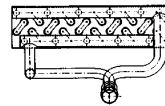
Part No.	Description
85660094	Core - Heater, RD-1-0872, 2.16" x 8.1" x 16.5"



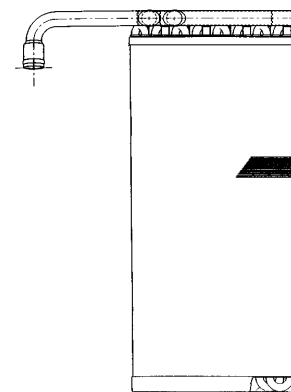
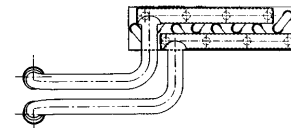
Part No.	Description
85660493	Core - Heater, RD-1-1496-0, (NLA - See PSB 6-21 for Replacement)



Part No.	Description
85660680	Core - Heater, RD-1-1401-0, 3.35" x 7.22" x 6.10"



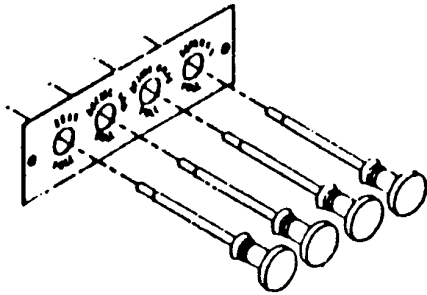
Part No.	Description
85660310	Core - Heater, Assembly, Front Heater, Pusher, 115,000 BTU RD-1-1160, 2.78" x 10.10" x 30"



Part No.	Description
85660410	Core - Heater, Right Side, Defrost, RD-1-1141, 2.16" x 8.1" x 16.5"

\* Dimensions reflect cooling surface only.

## Control Units and Control Cables

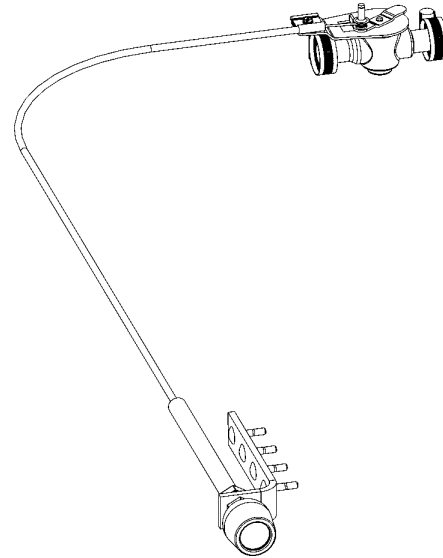


### Bergstrom

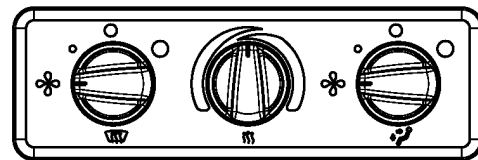
Part No.	Length
85660039	17"
66000443	21"
26002377	21 3/4"
66000340	30 1/2"
66000444	32 1/4"
85660001	40"
85660116	57 3/4"
85660117	77 1/4"
61250108	62"
66000106	78"
85660466	52 3/4"
85660467	72 3/4"
85660468	40 3/4"
66000092	Knob

### Red Dot

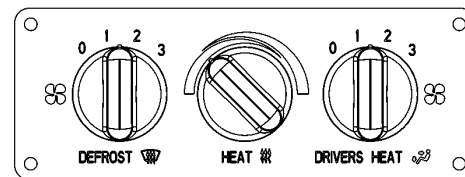
Part No.	Length
85660399	18"
85660398	31 3/8"



Part No.	Length	Description
66004600	72"	Cable, Water Flow Regulating Valve, Underseat Heater, Minotour

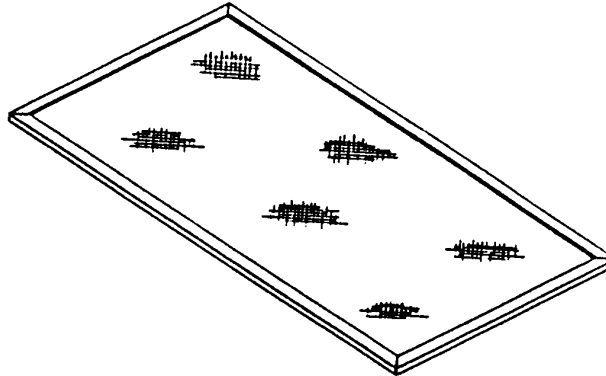


Part No.	Description
66004757	Heater Control Panel, Low Amperage



Part No.	Description
66001970	Heater Control Unit
BSM E525082	Knob only
BSM 585288	Decal only
66004529	Heater Control Unit (Replaces 66001970)
66004667	Heater Control Unit (Replaces 66004529)
BSM 890072	Fan Switch
BSM 660582	Heat Sink

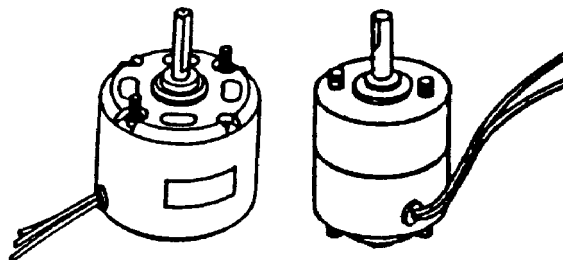
## Filters



Part No.	Description	Vendor No.
26055372	13" x 9"	54231
26067370	23 3/8" x 6 3/4"	55080
66000295	14" x 12 3/4"	58157
66000290	9 1/4" x 4"	58295
65001455	11 3/4" x 24 3/8"	58023
85660202	4 1/2" x 15 1/2"	525159
66000500	12" x 23 9/16"	587190
85660034	4 1/2" x 10 1/2"	868044
26014377	10 5/8" x 24"	57301
26055372	9" x 13"	54231
26067370	6 3/4" x 28 5/16"	55080
66000290	3 15/16" x 9 1/16"	58295
85660299	12 3/4" x 12 3/4"	525433
85660380	10 1/8" x 22 1/2"	525459
85660114	8 9/32" x 2 1/4"	525281
85660281	8 3/4" x 7 27/32"	525406
85660177	10 1/2" x 4 31/64"	525169
66000294	11 1/4" x 10 5/16"	58422
66000292	12" x 9 1/4"	58420
26093370	14" x 11 9/64"	5409
66000295	14" x 12 3/4"	58157
85660113	15 3/8" x 10 3/32"	525259
26101370	18 5/8" x 9"	54230
66000293	20 1/4" x 10 5/16"	58423
66000291	21" x 9 1/4"	58421

Part No.	Description	Vendor No.
66000541	23 9/16" x 12"	587190
26014377	24" x 10 5/8"	57301
66000296	26 1/2" x 12"	58539
85660237	28 1/2" x 7 3/32"	525313
66000225	28 1/2" x 8 1/8"	58279
85660032	30" x 10 3/8"	525170
85660439	9" x 9"	525460
85660380	10 1/2" x 22 1/2"	525459
85660385	10 1/4" x 12 1/4"	525458
85660237	7 1/16" x 28 1/2"	525313
46020082	23" x 5" (Under Driver's Seat, Freightliner)	525636
46020316	Guard - Filter (Under Driver's Seat, Freightliner. Use W/ 46020082 Filter.)	
85660097	19 3/32" x 4 13/64"	RD-1-0861-0
85660089	22 19/32" x 5 27/32"	RD-1-0860-0
85660348	10 1/4" x 33 1/4"	RD-5-7581-0
85660347	2 13/16" x 13"	RD-5-7580-0
85660097	19" x 4"	RD-1-0861-0
85660494	19 3/16" x 8 3/8"	RD-5-8313-0
85660623	22 39/64" x 5 27/32"	RD-1-0860-0
85660643	19 3/16" x 8 3/8"	RD-1-0840-0

## Motors

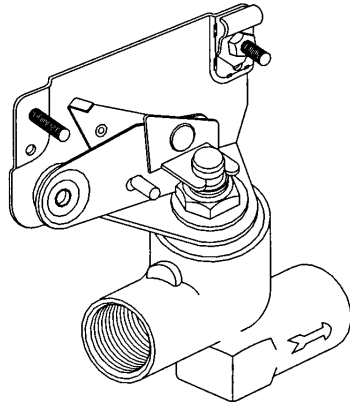


Part No.	Vendor #	Rotation	Shaft Size	Speed
90000105	GR157	Clockwise/Counterclockwise	5/16"	2
85660082	RD-5-5049-0	Double Shaft	5/16"	2
85660685	RD-5-5049-1	Double Shaft	5/16"	2
85660681	RD-3133-4	Clockwise	1/4"	2
85660390	RD-5-7575-0	Clockwise	5/16"	1
85660395	RD-5-7575-1	Counterclockwise	5/16"	1
85660683	RD-5-7575-2	Clockwise	5/16"	1
85660684	RD-5-7575-3	Counterclockwise	5/16"	1
26062365	201520	Clockwise	5/16"	2
26065366	201320	Clockwise	5/16"	2
65000439	203020	Clockwise	5/16"	2
85660009	205840	Double Shaft	5/16"	2
85660007	205780	Double Shaft	5/16"	2
85660102	203061	Counterclockwise	5/16"	2
85660101	203059	Counterclockwise	5/16"	2
26034369	202520	Counterclockwise	1/4"	2
26044367	202220	Clockwise	1/4"	2
85660226	203066	Counterclockwise	5/16"	1
85660378	203088	Clockwise	5/16"	2
85660161	203056	Clockwise	5/16"	1
85660130	202270	Clockwise	1/4"	2
85660447	205853	Counterclockwise	5/16"	*1
85660226	203066	Counterclockwise	5/16"	*1
85660227	203067	Clockwise	5/16"	*1

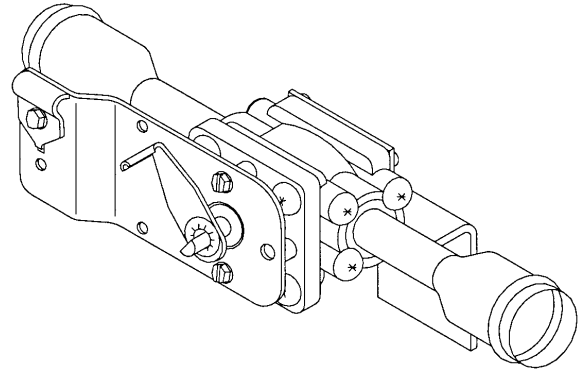
Part No.	Description
85660125	Resistor, 12-Volt (Bergstrom)
85660078	Resistor (Red Dot)

\*pm (permanent magnet) used with resistor

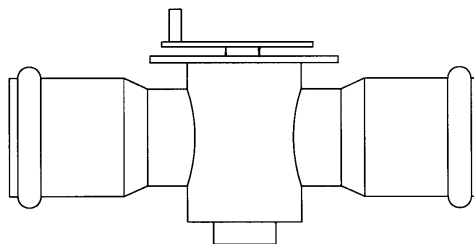
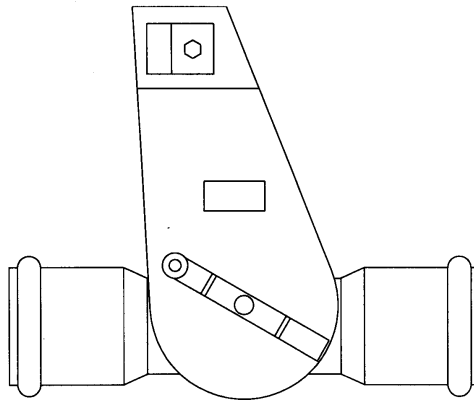
## Remote Valves



Part No.	Description
66000129	Valve - Remote, 3/4"



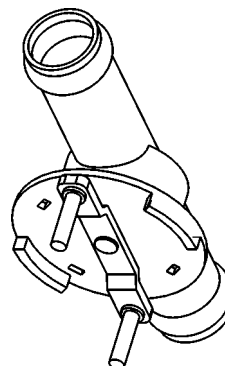
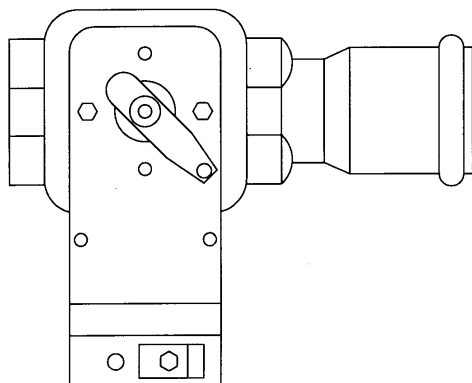
Part No.	Description
85660014	Valve - Water, Heater Assembly



Part No.	Description
85660091	Water - Valve, 1"

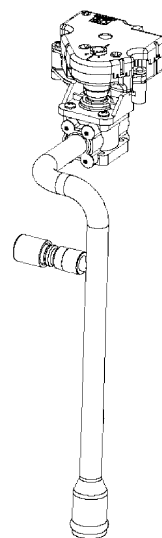
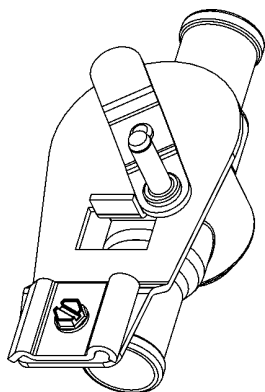


## Remote Valves



Part No.	Description
80660051	Valve-Inline Heater Shut-Off, 5/8"

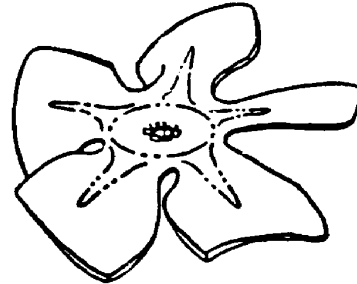
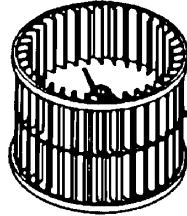
Part No.	Description
85660108	Valve - Water, Assembly



Part No.	Description
66004602	Valve, 5/8 Dia., Remote Water Flow Regulating, Underseat Heater

Part No.	Description
BSM 869162	Valve - Water, Assembly

## Blower Wheels, Fan Blades, & Booster Pumps

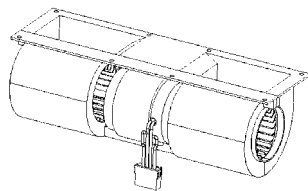


Part No.	Vendor #	Size	Rotation	Type
85660442	RD-5-8092-0	4 11/16"	Clockwise	Steel
85660443	RD-5-8092-1	4 11/16"	Clockwise	Steel
85660391	RD-5-7576-0	5 3/4"	Clockwise	Steel
85660396	RD-5-7576-1	5 3/4"	Counterclockwise	Steel
85660050	589540	4 53/100"	Clockwise/ Counterclockwise	Plastic
26031374	529800	5 1/4"	Counterclockwise	Steel
26026374	566300	5 19/32"	Clockwise	Steel
85660050	58940	5 1/4"	Counterclockwise	Plastic
85660233	510014	5 35/64"	Counterclockwise	Steel
26057365	507700	3 13/16"	Counterclockwise	Steel
26051367	515400	3 13/16"	Clockwise	Steel
26070370	538700	5 19/32"	Clockwise	Steel
85660238	571040	5 19/32"	Counterclockwise	Steel
26024374	563500	5 19/32"	Clockwise	Plastic

Part No.	Vendor #	Description
85660295	525222	Clip - Spring, Blower Wheel (Use with 26024374 Wheel.)

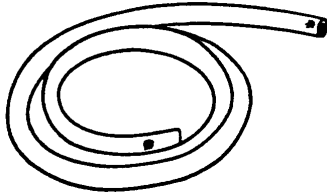
Part No.	Vendor #	Size
26034373	508300	4-Blade, 6 1/2"
85660135	587380	5-Blade, 7"
66000305	511400	5-Blade, 7"
26065365	575080	5-Blade, 8 3/4"
26061365	572980	5-Blade, 10"
26061365	57298	5-Blade, 9 3/4"
85660682	RD-31339	4-Blade, 1/4"

Part No.	Description
61230211	Pump - Booster, 12-Volt, Straight Fitting
66000784	Pump - Booster, Water, 90° Fitting
66000440	Pump - Booster, Water, 12-Volt 90° Fitting (GROCO)
61230161	Pump - Heater Booster, 12-Volt, (GROCO)
61230214	Pump - Booster, 24-Volt, (Bergstrom)
BSM 868784	Pump - Booster, W/ 45° Elbows (Bluebird)



Part No.	Description
BSM 530803	Blower Motor Assembly 12-Volt
BSM 530277	Blower Motor Assembly 12-Volt

## Miscellaneous



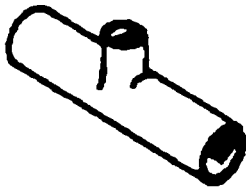
Part No.	Description
26073365	Hose - Heater, Rubber, 1" Inner Diameter x 4 Ply
66000352	Hose - Heater, Silicone, 1" Inner Diameter
26074365	Hose - Heater, Rubber, 1" Inner Diameter



Part No.	Description
26037365	Clamp - Band, 1" Inner Diameter Hose
66000464	Clamp - Band, 1" Inner Diameter Silicone Hose
66001163	Clamp-Constant Torque For 1" Heater Hose Stainless Steel



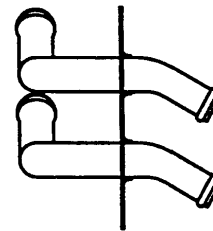
Part No.	Description
26002376	Hose - Tubing, Flexible, 1 1/2" Outer Diameter x 36"
85660632	Hose - Rubber, 3/4" x 4 13/32"



Part No.	Description
26001376	Valve - Bleeder, In-Line, 3/8" x 1"



Part No.	Description
26041375	Valve - Gate, 3/4"
66000471	Valve - Ball Valve, 3/4"
85660674	Valve - Ball Valve, 3/4" W/Yellow Handle (Freightliner Chassis)



Part No.	Description
66000776	Plate - Firewall, Heater Hose, Assembly, 16 Gauge x 4" x 6 1/2"



Part No.	Description
26016367	Connector - Plastic, 1" Inner Diameter Hose



Part No.	Description
66000156	Connector - Plastic, "Y", 1" Inner Diameter Hose



Part No.	Description
66000366	Restrictor - In-Line, 5/16" x 1"

# HEATER

## Miscellaneous



Part No.	Description
26038369	Clamp - Hose, Heater, Single



Part No.	Description
26032365	Clamp - Hose, Heater, Double



Part No.	Description
26062366	Elbow - Brass, 3/4" MPT x 1" ID Hose



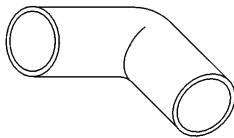
Part No.	Description
66000448	Shield - Plastic, Elbow



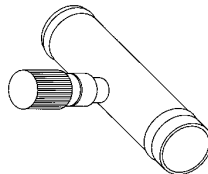
Part No.	Description
66000303	Hose - Defroster, 3"
66000705	Hose - Defroster, 2"



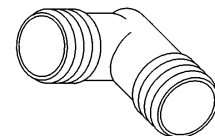
Part No.	Description
26014372	Hose - Defroster, 4"



Part No.	Description
26029367	Elbow - Curved, 1"



Part No.	Description
66001613	Valve - Filler/Bleeder

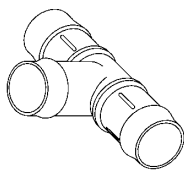


Part No.	Description
26021367	Elbow - Plastic, 1", 90°

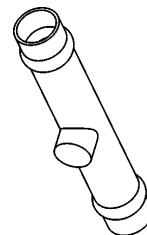
## Miscellaneous



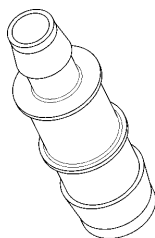
Part No.	Description
26016367	Nipple - Plastic, 1" x 3"



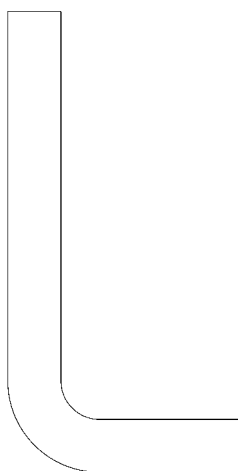
Part No.	Description
66001649	Hose - Tee, 1"
80660108	Hose - Tee, 5/8"



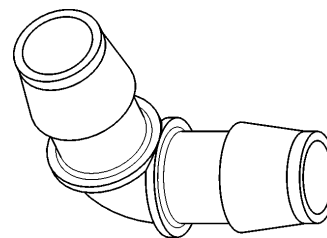
Part No.	Description
66004915	Bleeder, 5/8"



Part No.	Description
80660122	Insert-Fitting 1" To 5/8"Hose



Part No.	Description
66001950	Elbow, 90 Deg., Unequal Length Legs
65001890	Elbow, 90 Deg., Brass Long Leg



Part No.	Description
80660107	Elbow-Heater 5/8" ID

# HEATER

## Heater Chart

Heater Assembly	Vendor No.	Description	Coil	Filter	Motor(s)	Fan Blade	Blower Wheel
26048376	710400	Heater - Left Front, 46,500 BTU, Chick	66000091	85660679	65000439	None	26026374
66000060	791840	Heater - Underseat, 65,000 BTU	66000091	26101370	26062365	26065365	None
66000100	791440	Heater - Underseat, 32,000 BTU, Wheelchair	66000230	None	85660256	65000305	None
66000275	710890	Heater - Driver's 20,000 BTU, Left Front, Conventional	26022374	None	85660130	None	26051367
66000277	710910	Heater - Footwarmer, 10,000 BTU, Conventional	66000355	None	26034369	None	26057365
66000278	710920	Heater- Front Right, 87,200 BTU, Conventional	26056367	26093370	26065366 26062365	26061365	26031374
66000421	710062	Heater - Defroster, Scat	26008378	66000541	65000439	None	26024374
66000430	710061	Heater - Right Front, 20,000 BTU, Chick	85660267	None	26034369 85660103	None	26051367 26057365
66000447	710064	Heater - Right Front, 90,000 BTU, Mighty Mite	26008378	66000541	65000439	None	26024374
66000496	710065	Heater - Front, 106,500 BTU, Transit/Pusher	66000289	66000296	65000439	None	26024374
66000550	710066	Heater - Stepwell, 60,000 BTU, Fresh Air, Conventional	85660062	85660063	65000439	None	26024374
66000650	710071	Heater - Front, 101,000 BTU, Pusher	85660010	85660032 85660177	85660009 65000439	None	26024374
66000725	710075	Heater - Stepwell, 66,000 BTU, Conventional	85660062	85660063	65000439	None	26024374
66000726	710076	Heater - Stepwell, 20,000 BTU, Right Front, Conventional	85660267	None	26034369 85660130	None	26057365 26051367
66000727	710074	Heater - Stepwell, 60,000 BTU, Fresh Air, Conventional	85660062	85660063	65000439	None	26024374
66000769	710081	Heater - Underseat, 34,000 BTU, Straight Leg	66000285	66000292	26062365	26065365	None
66000770	710082	Heater - Underseat, 42,000 BTU, Straight Leg	85660056	66000294	26062365	26061365	None
66000771	710078	Heater - Underseat, 84,000 BTU, Straight Leg	85660098	66000293	26062365	26061365	None
66000772	710077	Heater - Underseat, 68,000 BTU, Straight Leg	85660052	66000291	26062365	26065365	None
66000787	710085	Heater, Right Front, RHD, 98,000 BTU, Conventional	85660225	85660237	85660226 85660227	85660135	85660238 85660233
66000812	710088	Heater - Stepwell, 60,000 BTU, RHD, Conventional	85660678	85660063	85660677	None	85660238
66000813	710086	Heater - Left Front, 93,000 BTU, Conventional	85660244	85660237	85660226 85660227	None	26024374 85660233
66000856	710089	Heater - Defroster, Right Front, 91,000 BTU, Forward Control	85560100	85660114 85660113	85660101 85660102	None	85660050
66000863	R72501M	Heater - Defrost, Right Side, Vista	85660410	85660097	85660082	None	85660083 85660084
66000884	710090	Heater - Left Front, 93,000 BTU, Chick	85660244	None	85660226 85660227	None	85660233 26024374
66000894	710091	Heater - Footwarmer, 5,000 BTU, Forward Control	85660129	85660281	85660130	85660135	None
66000908	710092	Heater - Stepwell, 52,000 BTU, Conventional	85660296	85660299	85660297	None	26024374
66001053	710095	Heater - Stepwell, 52,000 BTU, Conventional	85660296	85660299	85660297	None	26024374
66001056	710094	Heater - Underseat, 84,000 BTU	85660377	85660380	85660378	26061365	None



## Heater Chart

Heater Assembly	Vendor No.	Description	Coil	Filter	Motor(s)	Fan Blade	Blower Wheel
66001057	710093	Heater - Underseat, 50,000 BTU	85660384	85660385	85660378	26061365	None
66001165	R3501M	Heater - Front, Pusher	85660310	85660347 85660348	85660683 85660684		85660391
66001358	R72503M	Heater - Driver's, Vista	85660088	85660623	85660082	None	85660488 85660489
66001359	R72502M	Heater - Defrost, Vista	85660410	85660097	85660082	None	85660083 85660084
66001363	710096	Heater - Defroster, Forward Control	85660458	85660439	85660447	None	85660050
66001368	R72503M	Heater - Front, Right Side, Vista	85660410	85660097	85660082	None	85660083 85660084
66001369	R71504M	Heater - Driver's, Front, Vista	85660088	85660089	85660685		85660442 85660443
66001391	710097	Heater - Stepwell, 52,000 BTU, Conventional	85660296	85660670	85660297	None	26024374
66001392	710098	Heater - Stepwell, 52,000 BTU, Conventional	85660296	85660670	85660297	None	26024374
66001452	R7550	Heater - Stepwell, Front, Vista	85660680		85660681	85660682	
66001506	R72505M	Heater - Defrost, Vista	85660493	85660494	85660082	None	85660488 85660489
66001518	R71505M	Heater - Driver's, Front, Vista	85660088	85660089	85660685		85660442 85660443
66001529	R7350-3M	Heater - Front, 115,000 BTU, Transit	85660310	85660347 85660348 85660675	85660395 85660390	None	85660391 85660396
66001600	R73504M	Heater - Front, 115,000 BTU, Transit	85660310	85660347 85660348 85660675	85660390 85660395	None	85660391 85660396
66001601	710105	Heater - Stepwell, 53,000 BTU, Conventional	85660296	85660670	65000439	None	26024374
66001603	710106	Heater - Stepwell, 53,000 BTU, Conventional	85660296	85660670	65000439	None	26024374
66001616	710109	Heater - Left Front, 93,000 BTU, Conventional	85660244	85660237	85660226 85660227	None	85660233 26024374
66001624	710108	Heater - Left Front, 93,000 BTU, Conventional	85660244	85660237	85660226 85660227	None	85660233 26024374
66001688	R73505M	Heater - Front, 115,000 BTU, Transit	85660310	85660347 85660348 85660675	85660390 85660395	None	85660391 85660396
66001747	710111	Heater - Left Front, 93,000 BTU, Conventional	85660244	46020082	85660226 85660227	None	85660233 26024374
66001750	710112	Heater - Underseat, Pusher	85660377	85660380	85660378	85660382	
66001751	710113	Heater - Underseat, Pusher	85660384	85660385	85660378	85660382	

# HEATER

## Heater Chart



Heater Asm.	Vendor No.	Description	Coil	Filter	Motor(s)	Fan Blade	Blower Wheel
66001812	710116	Heater - Driver Side W/Gate Valve, W/O Driver Blower, Conventional	85660244	46020082	85660226 85660227		85660233 26024374
66001813	710117	Heater - Driver Side W/Gate Valve, W/O Driver Blower, Conventional	85660244	46020082	85660226 85660227		85660233 26024374
66001891	710127	Heater Assm., Front 89,000 BTU / HR, Ext. Mounted	BSM 108346	BSM 525836	<b>BSM 530803</b>		
66001923	710118	Heater - Front, 115,000 BTU	85663745	85660759	85660746 85660747	85660755 85660756	85660755 85660756
66004603	780015	Heater - Wall Mounted, Rear 40,000 BTU	<b>BSM 108336</b>	<b>BSM 525801</b>	<b>BSM 530277</b>		
66004748	710131	Heater - Front, Exterior Mounted, 90,000 BTU/HR	BSM 108346	BSM 525836	<b>BSM 530803</b>		
66004774	R 7160 DM	Heater - Driver Side, New Vestibule Floor, Conventional	RDH RD 1 2379 0	RDH RD 5 10795 0	RDH RD 5 10867 0		RDH RD 5 9000 0
66004821	710132	Heater - Underseat, 84,000 BTU, Minotour	85660377	85660380	85660378	85660382	None
66004822	710133	Heater - Underseat, 50,000 BTU, Minotour	25660384	85660385	85660378	85660382	None
66004823	710134	Heater - Underseat, 84,000 BTU, Minotour	85660377	85660380	85660378	85660382	None
66004824	710135	Heater - Underseat, 50,000 BTU, Minotour	25660384	85660385	85660378	85660382	None
66004896	710138	Heater - Front, Exterior Mounted, 90,000 BTU/HR	BSM 108346	BSM 525836	<b>BSM 530803</b>		
66005030	710143	Heater - Front, Exterior Mounted, 90,000 BTU/HR	BSM 108346	BSM 525836	<b>BSM 530803</b>		
66005065	710133C	Heater - Underseat, 50,000 BTU	85660384	85660385	<b>BSM 203397</b>	85660382	None
66005066	710132C	Heater - Underseat, 84,000 BTU	85660377	85660380	<b>BSM 203397</b>	85660382	None
<b>66005172</b>	<b>710148</b>	<b>Heater - Underseat, 32,000 BTU</b>	<b>66000230</b>	<b>None</b>	<b>85660256</b>	<b>65000305</b>	<b>None</b>



TABLE OF CONTENTS

Paints & Sealants .....17.2

Fasteners .....17.3

Reflective Tape .....17.4

Keys .....17.5

Air Fittings .....17.6

Access Door Latches .....17.7

Support Publications .....17.8

# MISCELLANEOUS

## Paints & Sealants

### \* Air Dry Polyurethane (Chrome Yellow)

Part No.	Description
85680018	1 Quart - Activator
85680019	1 Gallon
85680020	1 Gallon - Activator
85680016	5 Gallon

### \* Air Dry Enamel (Chrome Yellow)

(Matches Polyurethane paint used in production starting 2-25-93, Body #78415)

Part No.	Description
85680014	1 Gallon
85680015	5 Gallon
85680021	1 Gallon - Reducer (Exempt Medium Reducer)
68000447	5 Gallon - Reducer (Exempt Medium Reducer)

### \* Air Dry Enamel (Chrome Yellow)

(Matches paint used on buses built prior to 2-25-93, Body #78415)

Part No.	Description
68000008	1 Gallon
68000199	5 Gallon
85680021	1 Gallon - Reducer (Exempt Medium Reducer)
68000447	5 Gallon - Reducer (Exempt Medium Reducer)

### \* Air Dry Enamel (Black)

Part No.	Description
85680001	1 Gallon
68000447	5 Gallon - Reducer

### Sealants

Part No.	Description
01013370	Sealant - Silicone, Clear, 10.3 oz.
28017375	Sealant - Silicone, Black, 10.3 oz.
68000080	Sealant - Silicone, White, 10.3 oz.
68000244	Sealant - Silver, 10 oz.
68000545	Sealant - Yellow, 10.3 oz.
68152374	Sealant - White, 10.3 oz. (Cartridge)
68152444	Sealant - Yellow, 10.3 oz. (Cartridge)
68152445	Sealant - Aluminium, 10.3 oz. (Cartridge)
68152446	Sealant - Black, 10.3 oz. (Cartridge)
68152491	Sealant - Blue, 10.3 oz. (Cartridge)
68152492	Sealant - Beige, 10.3 oz. (Cartridge)
68152493	Sealant - Green, 10.3 oz. (Cartridge)
68152494	Sealant - Gray, 10.3 oz. (Cartridge)

### Tools

Part No.	Description
85410058	Caulking Gun

\* Paint available only through direct shipment program with BASF; contact THOMAS BUILT BUS dealer for OEM paint.

## Fasteners



### Rivet - Bucking Type\*\*

Part No.	Description
29950008	3/16" x 5/16", lb. - 206 pcs./lb.
29950014	3/16" x 3/4", Brazier Head, Steel
69005080	3/16" X 3/8", Brazier Head, Aluminum
29950009	3/16" x 3/8", lb. - 131 pcs./lb.
29950010	3/16" x 7/16", lb. - 179 pcs./lb.
29950012	3/16" x 9/16", lb. - 144 pcs./lb.



### Screw - Tapping, Truss Head\*

Part No.	Description
27273451	#10 x 1/2"
29920003	#10 x 5/8"
69003118	#10 x 1 1/4"



### Screw - Machine, Quadrix Head\*

Part No.	Description
69003096	#10 x 1/2"
69003287	#10 x 1/2" Steel (Magniguard)
69003286	#10 x 5/8" Steel (Magniguard)
69003272	#10 x 5/8" (Black)
69003123	#10 x 1" (Black)
69003119	#10 x 1-1/4" (Black)
69003118	#10 x 1-1/4"
69003248	#12 x 1/2" Steel (Magniguard)
69003249	#12 x 5/8" Steel (Magniguard)
69003167	#12 x 1", (Black)
69003250	#12 x 1" Steel (Magniguard)
69003205	#12 x 1/2", Steel (Magniguard) (Silver/Gray)
69003099	#10 x 5/8"
69003091	#10 x 5/8"
69003092	#12 x 5/8"



### Rivet - Huck\*

Part No.	Description
69005005	3/16"
69005004	1/4"



### Rivet - Break Mandrel\*

Part No.	Description
29006365	5/32" x 3/8"
69005003	5/32" x 3/8"
29003372	5/32" x 1/2"
69005023	1/8"
29001373	3/16" x 13/32"
29008365	3/16" x 17/32"
29950021	3/16" x 25/32"
69005030	1/4"
29003370	1/4" x 7/16"
69005006	1/4" x 1 3/8"

\* Order by piece

\*\* Order by pound

## Reflective Tape



Part No.	Description
85680023	Kit - Tape, 30' Bus or Shorter
85680024	Kit - Tape, 30' to 40' Bus

Kits include:  
 Reflective Tape, 2" Wide  
 (Length depends on kit, 88' or 108'.)  
 Two School Bus Signs  
 Squeegee  
 Instruction Sheet

Part No.	Description
85680025	Kit - Tape, Emergency Exit Markings

Kit includes:  
 Reflective Tape, 1" Wide x 84'  
 Squeegee  
 Instruction Sheet

Part No.	Description
68000702	Tape - Reflective, Yellow, "School Bus", 10" x 34" Sign
68000659	Tape - Reflective, Yellow, "School Bus", 10" x 42" Sign
85410090	Decal - Reflective, White, "Activity Bus", 10" x 42" Sign
85410089	Decal - Reflective, White, Blank, 10" x 42" Sign
85410257	Decal - Reflective, Red, "Activity Bus", 10" x 42" Sign
85410250	Decal - Reflective, Blue, "Activity Bus", 10" x 42" Sign

### Black Tape

Part No.	Description
68000660	Tape - Reflective, 2" x 50 Yards
85680022	Tape - Reflective, 3" x 50 Yards
68000730	Tape - Reflective, 2" x 50 Yards (3M - Not dual striped)

### Yellow Tape

Part No.	Description
68000840	Tape - Reflective, 1" x 50 Yards
68000657	Tape - Reflective, 1 1/4" x 50 Yards
68000656	Tape - Reflective, 2" x 50 Yards
68000658	Tape - Reflective, 6 1/2" x 50 Yards
68000788	Tape - Reflective, 10" x 50 Yards
68000682	Tape - Reflective, 6" x 50 Yards 3M Diamond Grade

### White Tape

Part No.	Description
68000863	Tape - Reflective, 1" x 50 Yards
68000722	Tape - Reflective, 2" x 50 Yards
68000787	Tape - Reflective, 10" x 50 Yards
68000953	Tape - Reflective, 6 1/2" x 50 Yards

### Red Tape

Part No.	Description
68000867	Tape - Reflective, 1" x 50 Yards
68000952	Tape - Reflective, 2" x 50 Yards
68000954	Tape - Reflective, 6 1/2" x 50 Yards

### Blue Tape

Part No.	Description
85680032	Tape - Reflective, 1" x 50 FT
85680033	Tape - Reflective, 2" x 50 FT

## Keys

Part No.	Key No.	Description	Usage
65001315	204	Key - Cut, Fuel Lock	23001365
67000774	CH-545	Key - Single Bitted	67000773
85670001	EM-510	Key - Cut, Vandalock	67000093
85670002	CH-545	Key - Cut, Recessed Paddle	67000051
85670002	CH-545	Key - Cut, Recessed Paddle	67000112
85670002	CH-545	Key - Cut, Recessed Paddle	67000110
85670002	CH-545	Key - Cut, Recessed Paddle	85670019
85670003	507-CH	Key - Cut, Rear Engine Door	67000054
85670004	4T31220	Key - Cut, Rear Emergency Door & Luggage Box	23008369
85670005	CH-500	Key - Cut, Vandalock	24081376
85670006	CH-501	Key - Cut, Vandalock	24082376
85670007	CH-502	Key - Cut, Vandalock	24082376
85670008	CH-503	Key - Cut, Vandalock	24082376
85670009	CH-504	Key - Cut, Vandalock	24082376
85670010	CH-505	Key - Cut, Vandalock	24082376
85670011	CH-506	Key - Cut, Vandalock	24082376
85670012	CH-507	Key - Cut, Vandalock	24082376
85670013	CH-508	Key - Cut, Vandalock	24082376
85670014	CH-509	Key - Cut, Vandalock	24082376
85670015	CH-510	Key - Cut, Vandalock	24082376
85670017	CH-535	Key - Cut, Electric Door Switch	52001825
85670018	CH-527	Key - Cut, Electric Door Switch	52001825
85670020	CH-526	Key - Cut, Electric Front Door	52001825
85670021	CH-528	Key - Cut, Electric Front Door	52001825
85670022	CH-529	Key - Cut, Electric Front Door	52001825
85670023	CH-530	Key - Cut, Electric Front Door	52001825
85670024	CH-531	Key - Cut, Electric Front Door	52001825
85670025	CH-532	Key - Cut, Electric Front Door	52001825
85670026	CH-533	Key - Cut, Electric Front Door	52001825
85670027	CH-534	Key - Cut, Electric Front Door	52001825
85670028	CH-536	Key - Cut, Electric Front Door	52001825
86200006	801	Key - Cut, Ignition	61200148
86200007	802	Key - Cut, Ignition	61200148
86200008	803	Key - Cut, Ignition	61200148
86200009	804	Key - Cut, Ignition	61200148
86200010	805	Key - Cut, Ignition	61200148
86200011	806	Key - Cut, Ignition	61200148
86200038	PK 556	Key - Cut, Ignition	61200812
86200056	PK 31-173-104	Key - Blank, Ignition	61200881, 61200882, & 61201261
85670036	CH-545-A	Key - Cut, Vandalock, Pop-Up Handle	67000166
85670044	TM500	Key - Cut, Rear Engine Door	67000234

## Air Fittings

### Quick Release Air Fitting

Part No.	Description
69008053	Fitting - Air, 1/4" x 1/4" 90 Degree Elbow
69008054	Fitting - Air, 1/8" x 1/4" 90 Degree Elbow
69008055	Fitting - Air, 3/8" x 1/4" 90 Degree Elbow
69008056	Fitting - Air, 1/4" x 1/4" Male Union, Brass, SAE, (Straight)
69008058	Fitting - Air, 1/4" x 1/4" Union Tee, Brass

## Access Door Latches

Part No.	Description
53001590	Latch - Adjustable Lever, Flush Mount, Black
64009870	Latch - Locking Lever, Sealed
67000143	Latch - Adjustable Lever, Flush Mount, Black Powder Coated
67000181	Latch - Push Button Activated Lock W/Key, Flush Mount
67000184	Latch - Push Button Activated Lock W/Key, Flush Mount
67000204	Latch - Locking W/CH545 Key, Flush Mount, Black Powder Coated
67000660	Latch - Trigger, Non Locking
67000661	Latch - Trigger, Key Locking
67000662	Latch - Trigger, Key Locking
67000772	Latch - Non Locking, Flush Mount
67000773	Latch - Locking, Flush Mount

## Support Publications

### Parts Manuals

Part No.	Description	Covers
TBB 85410039	Minotour Parts Manual	1990
TBB 85410169	Minotour Parts Manual	1997 - 1998
TBB 41000024	Conventional Parts Manual	1989 - 1991
TBB 85410040	Conventional Parts Manual	1991 - 1993
TBB 85410165	Conventional Parts Manual	1994 - 1997
TBB 85410038	Vista Parts Manual	1989 - 1992
TBB 85410168	Vista Parts Manual	1994 - 1997
TBB 85410036	All★Star Parts Manual	1991 - 1992
TBB 85410141	MVP-EF Parts Manual	1994 - 1995
TBB 62500206	MVP Parts Manual	1988
TBB 85410035	MVP Parts Manual	1990 - 1991
TBB 85410143	MVP-ER Parts Manual	1995 - 1996
TBB 62500207	ER Transit Parts Manual	1988 - 1989
TBB 85410034	ER Transit Parts Manual	1991 - 1994
TBB 85410188	ER Transit Parts Manual	1998
TBB 85410291	Saf-T-Liner ER & HD Parts Manual	2001
TBB 61500153	TL960 Parts Manual	1997
TBB 61500152	CL960 Parts Manual	1995 - 1996
TBB 85410394	Accessory Parts Manual	1998 - Present

### Operator's Manuals

Part No.	Description	Covers
TBB 85410041	Owner Operator's Maintenance Manual	1992
TBB 41000293	Minotour Operator's Manual	2000
TBB 41000291	Conventional (3 Lang.) School Operator's Manual	2000
TBB 41000292	Conventional Commercial Operator's Manual	2000
TBB 61500149	MVP-EF School Operator's Manual	1998
TBB 61500153	MVP-EF Commercial Operator's Manual	1998
TBB 61500701	MVP-EF School Operator's Manual	2000
TBB 61500162	MVP-ER School Operator's Manual	1998
TBB 61500163	MVP-ER Commercial Operator's Manual	1998
TBB 61500168	ER Transit School Operator's Manual	1999
TBB 61500169	ER Transit Commercial Operator's Manual	1999
TBB 61500705	Saf-T-Liner ER & HD Operator's Manual	2000
TBB 61500154	TL960 Operator's Manual	1998



## Support Publications

### Service Manuals

Part No.	Description	Covers
TBB 85410174	MVP-EF Service Manual	1997
TBB 85410204	MVP-ER Service Manual	1998
TBB 85410249	TL960 Service Manual	1999
TBB 85410248	ER Transit Service Manual	1999
TBB 85410317	Saf-T-Liner ER/HD Service	2002
TBB 85410391	Saf-t-Liner HDX Service	2003

### Miscellaneous

Part No.	Description	Issued
TBB 85410163	Standard Repair Times Manual	2005
TBB 85410189	Seat Upholstery Manual	1998
TBB 85410044	Pre-Delivery Inspection Manual	2003

### Electrical Manuals

Part No.	Description	Covers
TBB 85410194	Conventional Electrical Manual	Thru 1997
TBB 85410195	Vista Electrical Manual	Thru 1997
TBB 85410180	MVP-EF Electrical Manual	Thru 1997
TBB 85410181	MVP-ER Electrical Manual	Thru 1997
TBB 85410193	ER Transit Electrical Manual	Thru 1997
TBB 85410183	TL960 Electrical Manual	Thru 1997
TBB 85410184	CL960 Electrical Manual	Thru 1997
TBB 85410209	Minotour Electrical Manual	Thru 1997
TBB 85410244	MVP-EF Electrical Manual	1998 - 99
TBB 85410245	MVP-ER Electrical Manual	1998 - 99
TBB 85410217	ER Transit Electrical Manual	1998 - 99
TBB 85410215	TL960 Electrical Manual	1998 - 99
TBB 85410216	CL960 Electrical Manual	1998 - 99
TBB 85410254	Conventional Electrical Manual	1998
TBB 85410255	Conventional Electrical Manual	1999
TBB 85410259	Minotour Electrical Manual	1998 - 99
TBB 85410265	TL960 Electrical Manual	2000
TBB 85410266	ER Transit Electrical Manual	2000
TBB 85410267	MVP-EF Electrical Manual	2000
TBB 85410268	MVP-ER Electrical Manual	2000
TBB 85410269	Conventional Electrical Manual	2000
TBB 85410270	Minotour Electrical Manual	2000
TBB 85410302	Saf-T-Liner ER / HD Electrical Manual	2001
TBB 85410307	TL-960 Electrical Manual	2001
TBB 85410310	MVP-EF Electrical Manual	2001
TBB 85410318	Minotour Electrical Manual	2001
TBB 85410320	Conventional Electrical Manual	2003
TBB 85410321	MVP-EF Electrical Manual	2003
TBB 85410330	Minotour Electrical Manual	2003
TBB 85410329	Saf-T-Liner HDX Electrical Manual	2003
TBB 85410345	Conventional Electrical Manual	2004
TBB 85410358	MVP-EF Electrical Manual	2004
TBB 85410363	Saf-T-Liner HDX Electrical Manual	2004
TBB 85410368	Minotour Electrical Manual	2004
TBB 85410388	MVP-EF Electrical Manual	2005
TBB 85410389	Conventional Electrical Manual	2005

# MISCELLANEOUS

---

---